

Selector switch, illuminable, 30 mm, round, metal, matte, green, selector switch, short, front ring for flush installation, 2 switch positions O-I, latching, actuating angle 90°, 10:30h/13:30h



product brand name	SIRIUS ACT
product designation	Selector switches
design of the product	Actuating/signaling element
product type designation	3SU1
product line	Metal, matt, flat, 30 mm

Enclosure	
Number of command points	1

Actuator	
design of the operating mechanism	Selector, short
manner of function of the actuating element	latching, 90° (10:30 h/13:30 h)
product extension optional light source	Yes
color of the actuating element	green
material of the actuating element	plastic
shape of the actuating element	Handle
Outer diameter of the actuating element	38 mm
Number of switching positions	2
Actuating angle	
• clockwise	90°

Front ring	
Product component front ring	Yes
Design of the front ring	Flat
material of the front ring	Metal, matt
color of the front ring	sand gray

General technical data	
protection class IP	IP66, IP67, IP69(IP69K)
degree of protection NEMA rating	1, 2, 3, 3R, 4, 4X, 12, 13
<ul style="list-style-type: none"> <li>shock resistance acc. to IEC 60068-2-27</li> </ul>	Sinusoidal half-wave 50g / 11 ms
<ul style="list-style-type: none"> <li>Shock resistance for railway applications acc. to DIN EN 61373</li> </ul>	Category 1, Class B
<ul style="list-style-type: none"> <li>vibration resistance acc. to IEC 60068-2-6</li> </ul>	10 ... 500 Hz: 5g
<ul style="list-style-type: none"> <li>Vibration resistance for railway applications acc. to DIN EN 61373</li> </ul>	Category 1, Class B
operating frequency maximum	1 800 1/h
<ul style="list-style-type: none"> <li>mechanical service life (switching cycles) typical</li> </ul>	300 000
reference code acc. to DIN EN 81346-2	S

Safety related data	
<b>B10 value</b>	
<ul style="list-style-type: none"> <li>with high demand rate acc. to SN 31920</li> </ul>	100 000
<b>proportion of dangerous failures</b>	
<ul style="list-style-type: none"> <li>with low demand rate acc. to SN 31920</li> </ul>	20 %
<ul style="list-style-type: none"> <li>with high demand rate acc. to SN 31920</li> </ul>	20 %
<ul style="list-style-type: none"> <li>failure rate [FIT] with low demand rate acc. to SN 31920</li> </ul>	100 FIT
<b>T1 value for proof test interval or service life acc. to IEC 61508</b>	20 y

Ambient conditions	
Environmental category during operation acc. to IEC 60721	3M6, 3S2, 3B2, 3C3, 3K6 (with relative air humidity of 10 ... 95 %)

Installation/ mounting/ dimensions	
height	44.8 mm
width	38 mm
Shape of the installation opening	round
mounting diameter	30.5 mm
Positive tolerance of installation diameter	0.5 mm
mounting height	22.1 mm
installation width	38 mm
installation depth	32.1 mm

Certificates/ approvals	
-------------------------	--

General Product Approval		Declaration of Conformity		Test Certificates
 CSA	 UL		 EG-Konf.	<a href="#">Miscellaneous</a> <a href="#">Special Test Certificate</a>

Test Certificates	Marine / Shipping				
<a href="#">Type Test Certificates/Test Report</a>	 ABS	 LRS	 PRS	 RINA	 RMRS

other
<a href="#">Confirmation</a>

### Further information

**Information- and Downloadcenter (Catalogs, Brochures,...)**

<https://www.siemens.com/ic10>

**Industry Mall (Online ordering system)**

<https://mall.industry.siemens.com/mall/en/en/Catalog/product?mlfb=3SU1062-2DF40-0AA0>

**Cax online generator**

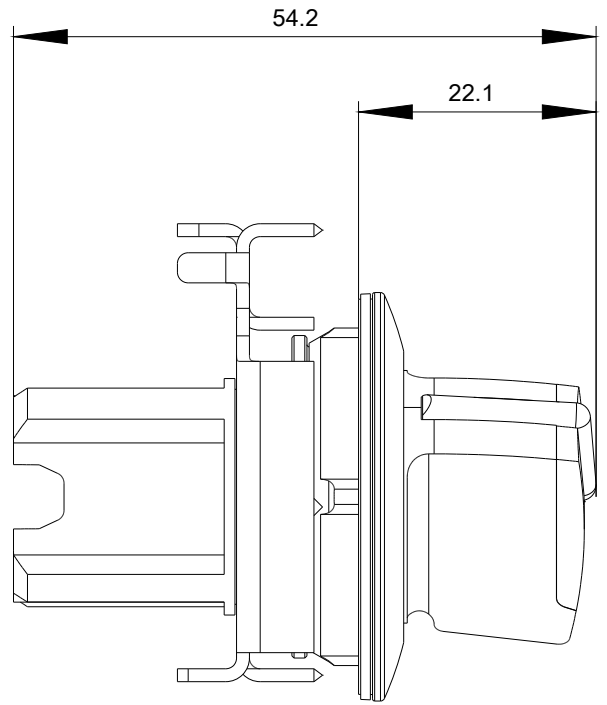
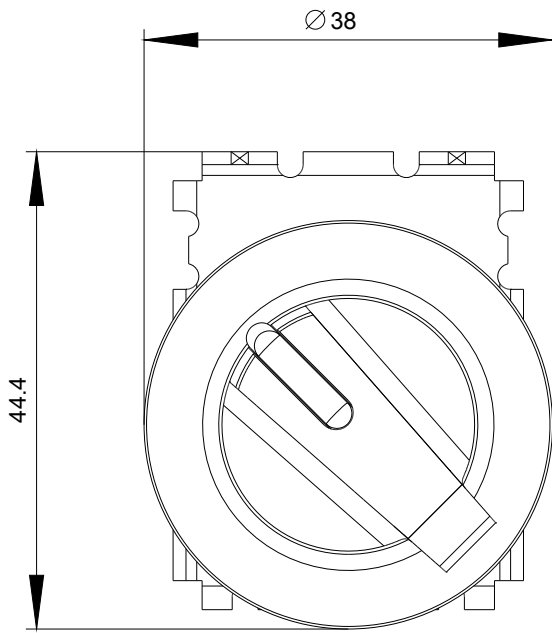
<http://support.automation.siemens.com/WW/CAXorder/default.aspx?lang=en&mlfb=3SU1062-2DF40-0AA0>

**Service&Support (Manuals, Certificates, Characteristics, FAQs,...)**

<https://support.industry.siemens.com/cs/ww/en/ps/3SU1062-2DF40-0AA0>

**Image database (product images, 2D dimension drawings, 3D models, device circuit diagrams, EPLAN macros, ...)**

[http://www.automation.siemens.com/bilddb/cax\\_de.aspx?mlfb=3SU1062-2DF40-0AA0&lang=en](http://www.automation.siemens.com/bilddb/cax_de.aspx?mlfb=3SU1062-2DF40-0AA0&lang=en)



last modified:

08/31/2020