

Mounting rail 45 mm for mounting on 3-phase busbars  
3RV2917-1/4



#### Installation/ mounting/ dimensions:

**Mounting type**

screw fixing

#### Further information

**Information- and Downloadcenter (Catalogs, Brochures,...)**

<http://www.siemens.com/industrial-controls/catalogs>

**Industry Mall (Online ordering system)**

<http://www.siemens.com/industrymall>

**Cax online generator**

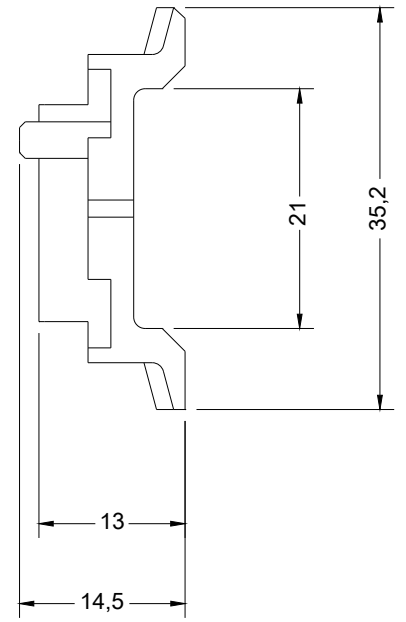
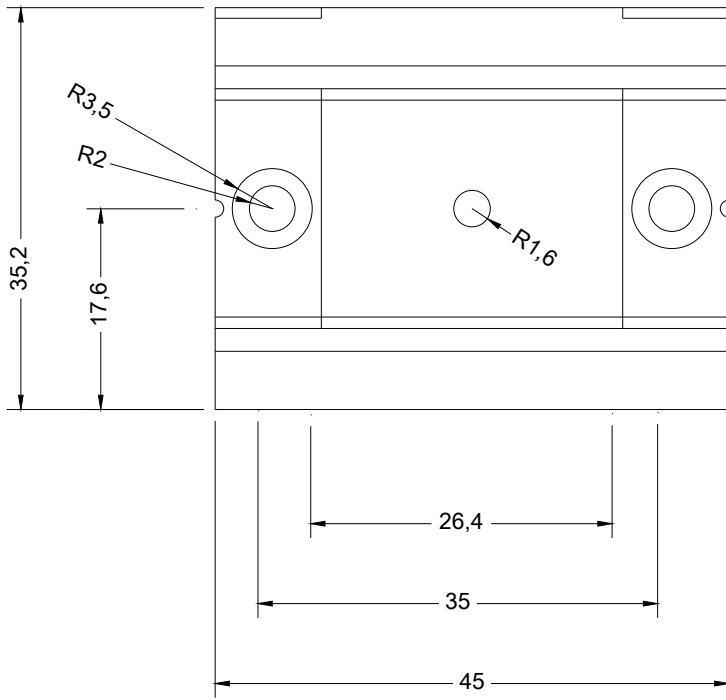
<http://support.automation.siemens.com/WW/CAXorder/default.aspx?lang=en&mlfb=3RV1917-7B>

**Service&Support (Manuals, Certificates, Characteristics, FAQs,...)**

<https://support.industry.siemens.com/cs/ww/en/ps/3RV1917-7B>

**Image database (product images, 2D dimension drawings, 3D models, device circuit diagrams, EPLAN macros, ...)**

[http://www.automation.siemens.com/bilddb/cax\\_de.aspx?mlfb=3RV1917-7B&lang=en](http://www.automation.siemens.com/bilddb/cax_de.aspx?mlfb=3RV1917-7B&lang=en)



last modified:

09/24/2019