

Reversing starter High Feature; Incl. fan (3RW4928-8VB00);
 Electronic switching; Electronic overload protection up to 5.5 kW /
 400 V; Adjustment range 4.0 .. 12 A; PROFlenergy; Option: 3DI/LC
 module



product brand name	SIMATIC
product category	Motor starter
product designation	Reversing starter
product type designation	ET 200SP

General technical data	
trip class	CLASS OFF / 5 / 10 adjustable
Equipment variant acc. to IEC 60947-4-2	3
<ul style="list-style-type: none"> product function 	Reversing starter
<ul style="list-style-type: none"> Product function on-site operation 	Yes
<ul style="list-style-type: none"> product function intrinsic device protection 	Yes
<ul style="list-style-type: none"> product function remote firmware update 	Yes
<ul style="list-style-type: none"> Product function for power supply Reverse polarity protection 	Yes
<ul style="list-style-type: none"> power loss [W] for rated value of the current at AC in hot operating state per pole 	3 W
insulation voltage	
<ul style="list-style-type: none"> rated value 	500 V
degree of pollution	2
overvoltage category	III

surge voltage resistance rated value	6 kV
maximum permissible voltage for safe isolation	
• between main and auxiliary circuit	500 V
• protection class IP	IP20
• shock resistance	6g / 11 ms
• vibration resistance	15 mm to 6 Hz; 2g to 500 Hz
• mechanical service life (switching cycles) of the main contacts typical	30 000 000
Type of assignment	1
• Usage category acc. to IEC 60947-4-2	AC-53a: 12 A: (8-0,5: 72-32)
reference code acc. to DIN EN 81346-2	Q
• Product function direct start	Yes
• Product function reverse starting	Yes
Product component Motor brake output	No
product function short circuit protection	Yes
design of short-circuit protection	fuse
• maximum short-circuit current breaking capacity (Icu) at 400 V rated value	55 kA
• maximum short-circuit current breaking capacity (Icu) at 500 V rated value	55 kA
• Maximum short-circuit current breaking capacity (Icu) at 500 V acc. to UL 60947 rated value	100 kA
Maximum short-circuit current breaking capacity (Icu) in the IT network	
• at 400 V rated value	55 kA
• at 500 V rated value	55 kA

Electromagnetic compatibility

EMC emitted interference	
• acc. to IEC 60947-1	class A
EMI immunity acc. to IEC 60947-1	Class A
• conducted interference due to burst acc. to IEC 61000-4-4	2 kV
• Conducted interference due to conductor-earth surge acc. to IEC 61000-4-5	2 kV
• Conducted interference due to conductor-conductor surge acc. to IEC 61000-4-5	1 kV
• conducted interference due to high-frequency radiation acc. to IEC 61000-4-6	Class A
field-bound parasitic coupling acc. to IEC 61000-4-3	10 V/m
electrostatic discharge acc. to IEC 61000-4-2	8 kV air discharge
Conducted HF-interference emissions acc. to CISPR11	Class A for industrial environment

Field-bound HF-interference emission acc. to CISPR11	Class A for industrial environment
Safety related data	
MTBF	46 y
Safe state	Load circuit open
protection against electrical shock	finger-safe
Main circuit	
number of poles for main current circuit	3
design of the switching contact	Hybrid
adjustable pick-up value current of the current-dependent overload release	4 ... 12 A
Minimum load [%]	50 %; from smallest adjustable rated current
Type of the motor protection	solid-state
• operating voltage rated value	48 ... 500 V
Relative symmetrical tolerance of the operating voltage	10 %
operating frequency 1 rated value	50 Hz
operating frequency 2 rated value	60 Hz
Relative symmetrical tolerance of the operating frequency	5 %
Relative positive tolerance of the operating frequency	5 %
Relative negative tolerance of the operating frequency	5 %
• Operating current at AC at 400 V rated value	12 A
Ampacity when starting maximum	100 A
Operating power for three-phase motors at 400 V at 50 Hz	2.2 ... 5.5 kW
Inputs/ Outputs	
• number of digital inputs	4
• number of digital inputs note	4 via 3DI/LC module
Supply voltage	
• type of voltage of the supply voltage	DC
• Supply voltage 1 at DC rated value minimum permissible	20.4 V
• Supply voltage 1 at DC rated value maximum permissible	28.8 V
supply voltage at DC rated value	24 V
Consumed current for rated value of supply voltage	
• in standby mode	85 mA
• during operation	140 mA
• at switching on	230 mA
Power loss [W] for rated value of supply voltage	

<ul style="list-style-type: none"> • in switching state OFF with bypass circuit • in switching state ON with bypass circuit 	<p>2 W</p> <p>3.4 W</p>
Inrush current peak	
<ul style="list-style-type: none"> • at 24 V 	25 A; Observe the manual for group configuration
Duration of inrush current peak	
<ul style="list-style-type: none"> • at 24 V 	0.145 ms

Response times

Switch-on delay time	20 ms
Off-delay time	35 ... 50 ms

Installation/ mounting/ dimensions

<ul style="list-style-type: none"> • mounting position 	Vertical, horizontal (observe derating)
<ul style="list-style-type: none"> • mounting type 	pluggable in BaseUnit
height	142 mm
width	30 mm
depth	150 mm
required spacing	
<ul style="list-style-type: none"> • with side-by-side mounting <ul style="list-style-type: none"> — upwards — downwards 	<p>50 mm</p> <p>50 mm</p>

Ambient conditions

<ul style="list-style-type: none"> • installation altitude at height above sea level maximum 	4 000 m; For derating see manual
Environmental category during operation acc. to IEC 60721	3K6 (no formation of ice, no condensation), 3C3 (no salt mist), 3S2 (sand must not get into the devices)
relative humidity during operation	10 ... 95 %
Air pressure	
<ul style="list-style-type: none"> • acc. to SN 31205 	900 ... 1 060 hPa

Communication/ Protocol

protocol is supported	
<ul style="list-style-type: none"> • PROFIBUS DP protocol • PROFINET protocol 	<p>Yes</p> <p>Yes</p>
product function bus communication	Yes
<ul style="list-style-type: none"> • protocol is supported AS-Interface protocol 	No
<ul style="list-style-type: none"> • Product function supports PROFIenergy measured values • Product function supports PROFIenergy shutdown 	<p>Yes</p> <p>Yes</p>
address range memory of address range	
<ul style="list-style-type: none"> • of the inputs • of the outputs 	<p>4 byte</p> <p>2 byte</p>

- type of electrical connection of the communication interface

Plug contact to Base Unit

Connections/ Terminals

Type of electrical connection	
<ul style="list-style-type: none"> • 1 for digital input signals 	Pluggable module - accessory
Type of electrical connection	
<ul style="list-style-type: none"> • for main energy infeed • for load-side outgoing feeder • for supply voltage line-side 	Plug contact to Base Unit Plug contact to Base Unit Plug contact to Base Unit
wire length for motor unshielded maximum	200 m

UL/CSA ratings

full-load current (FLA) for three-phase AC motor	
<ul style="list-style-type: none"> • at 480 V rated value 	12 A
Current with locked rotor (LRA) for three-phase AC motor at 480 V rated value	72 A
yielded mechanical performance [hp]	
<ul style="list-style-type: none"> • for single-phase AC motor <ul style="list-style-type: none"> — at 110/120 V rated value — at 230 V rated value • for three-phase AC motor <ul style="list-style-type: none"> — at 200/208 V rated value — at 220/230 V rated value — at 460/480 V rated value 	0.5 hp 2 hp 2 hp 3 hp 7.5 hp
<ul style="list-style-type: none"> • operating voltage at AC at 60 Hz acc. to CSA and UL rated value 	480 V

Certificates/ approvals

General Product Approval	EMC	Declaration of Conformity
--------------------------	-----	---------------------------



CCC



CSA



UL



RCM



EG-Konf.

Declaration of Conformity	Test Certificates	Marine / Shipping
---------------------------	-------------------	-------------------

[Miscellaneous](#)

[Type Test Certificates/Test Report](#)



ABS



BUREAU VERITAS



LRS



DNV-GL

other

[Confirmation](#)



Profibus

Further information

Information- and Downloadcenter (Catalogs, Brochures,...)

<https://www.siemens.com/ic10>

Industry Mall (Online ordering system)

<https://mall.industry.siemens.com/mall/en/en/Catalog/product?mlfb=3RK1308-0BE00-0CP0>

Cax online generator

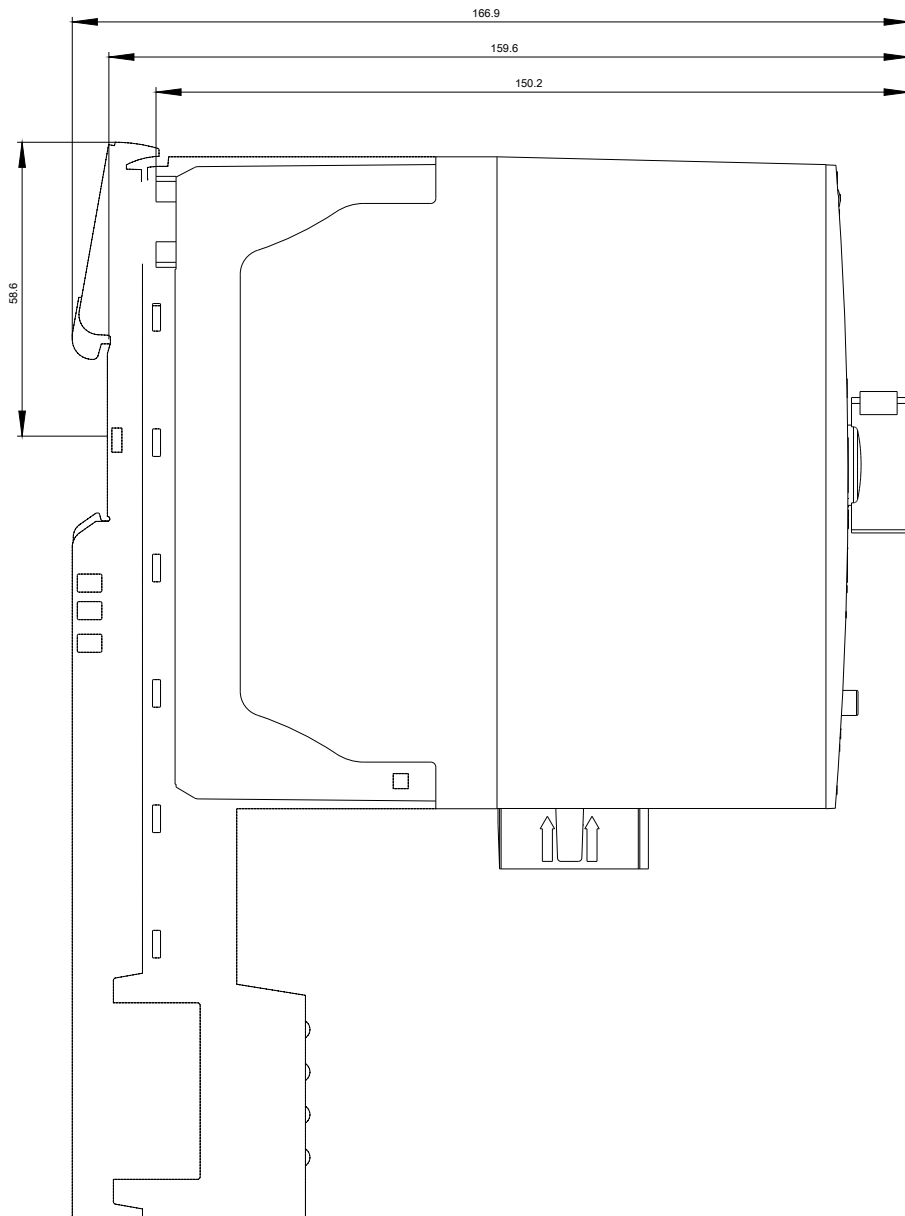
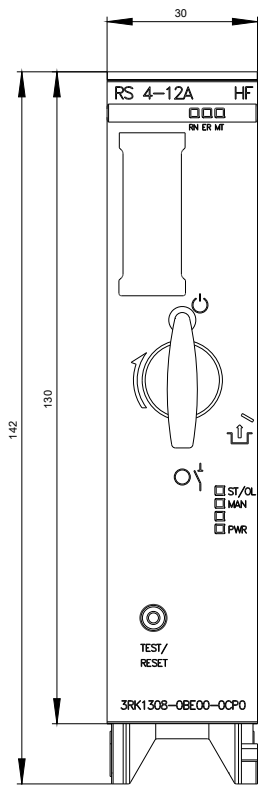
<http://support.automation.siemens.com/WW/CAXorder/default.aspx?lang=en&mlfb=3RK1308-0BE00-0CP0>

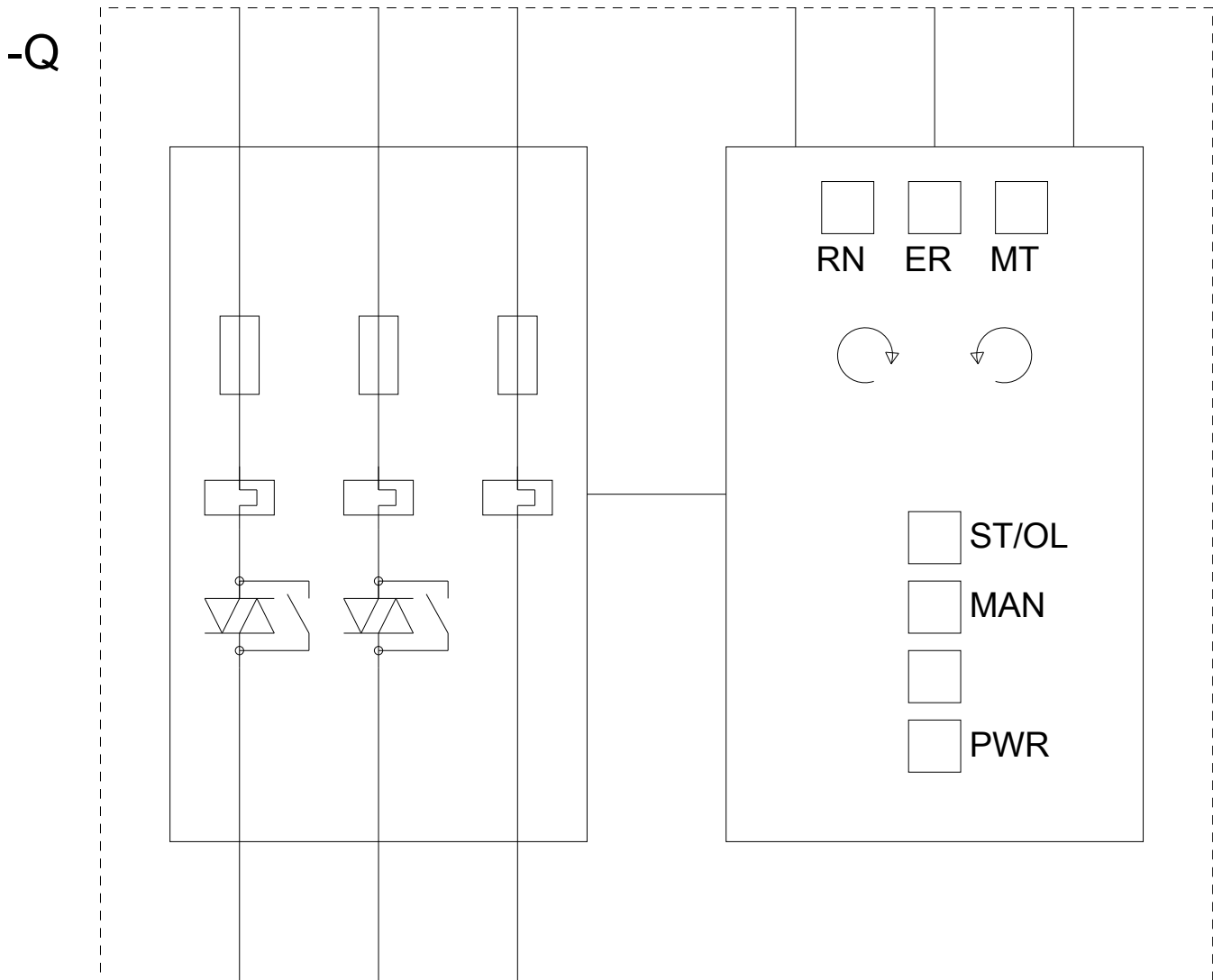
Service&Support (Manuals, Certificates, Characteristics, FAQs,...)

<https://support.industry.siemens.com/cs/ww/en/ps/3RK1308-0BE00-0CP0>

Image database (product images, 2D dimension drawings, 3D models, device circuit diagrams, EPLAN macros, ...)

http://www.automation.siemens.com/bilddb/cax_de.aspx?mlfb=3RK1308-0BE00-0CP0&lang=en





last modified:

08/07/2020