

Basic unit SIMOCODE pro V PN, Ethernet/PROFINET IO, PN system redundancy, OPC UA server, Web server, transmission rate 100 Mbps, 2 x bus connection via RJ45, 4I/3O freely parameterizable, Us: 110...240 V AC/DC, input for thermistor connection Monostable relay outputs, expandable by extension modules



Product brand name	SIRIUS
Product designation	Motor management system
Design of the product	basic unit 3
Product type designation	SIMOCODE pro V PN

General technical data	
Product function	
• Bus communication	Yes
• data acquisition function	Yes
• Diagnostics function	Yes
• Password protection	Yes
• Test function	Yes
• maintenance function	Yes
Product component	
• input for thermistor connection	Yes
• Digital input	Yes
• input for analog temperature sensors	No
• input for ground fault detection	No
• Relay output	Yes

Product extension	
• Temperature monitoring module	Yes
• Current measuring module	Yes
• Current/voltage measuring module	Yes
• failsafe digital I/O module	Yes
• Ground fault monitoring module	Yes
• Control unit with display	Yes
• Control unit	Yes
• analog I/O module	Yes
Apparent power consumption	8.3 V·A
Consumed active power	4.8 W
Insulation voltage	
• with degree of pollution 3 at AC rated value	300 V
Surge voltage resistance rated value	4 000 V
Protection class IP	IP20
Shock resistance	
• acc. to IEC 60068-2-27	15g / 11 ms
Vibration resistance	1-6 Hz / 15 mm; 6-500 Hz / 2 g
Switching capacity current of the NO contacts of the relay outputs at AC-15	
• at 24 V	6 A
• at 120 V	6 A
• at 230 V	3 A
Switching capacity current of the NO contacts of the relay outputs at DC-13	
• at 24 V	2 A
• at 60 V	0.55 A
• at 125 V	0.25 A
Mechanical service life (switching cycles)	
• typical	10 000 000
Electrical endurance (switching cycles)	
• typical	100 000
Buffering time in the event of power failure	0.02 s
Reference code acc. to DIN EN 81346-2	F
Continuous current of the NO contacts of the relay outputs	
• at 50 °C	6 A
• at 60 °C	5 A
Type of input characteristic	Type 1 in accordance with EN 61131-2
Certificate of suitability	
• IECEx	Yes; IECEx PTB 18.0004X
• according to ATEX directive 2014/34/EU	BVS 06 ATEX F001, PTB 18 ATEX 5003 X

Explosion device group and category according to ATEX directive 2014/34/EU	II (2) G, II (2) D, I (M2) / I (1G/M2), II (1/2) G, II (1G/2D)
--	--

Electromagnetic compatibility

EMC emitted interference	
<ul style="list-style-type: none"> • acc. to IEC 60947-1 	class A
EMI immunity acc. to IEC 60947-1	corresponds to degree of severity 3
Conducted interference	
<ul style="list-style-type: none"> • due to burst acc. to IEC 61000-4-4 	2 kV (power ports) / 1 kV (signal ports)
<ul style="list-style-type: none"> • due to conductor-earth surge acc. to IEC 61000-4-5 	2 kV
<ul style="list-style-type: none"> • due to conductor-conductor surge acc. to IEC 61000-4-5 	1 kV
<ul style="list-style-type: none"> • due to high-frequency radiation acc. to IEC 61000-4-6 	10 V
Field-bound parasitic coupling acc. to IEC 61000-4-3	10 V/m
Electrostatic discharge acc. to IEC 61000-4-2	6 kV contact discharge / 8 kV air discharge
Conducted HF-interference emissions acc. to CISPR11	corresponds to degree of severity A
Field-bound HF-interference emission acc. to CISPR11	corresponds to degree of severity A

Inputs/ Outputs

Product function	
<ul style="list-style-type: none"> • Parameterizable inputs 	Yes
<ul style="list-style-type: none"> • Parameterizable outputs 	Yes
Number of inputs	4
<ul style="list-style-type: none"> • for thermistor connection 	1
Number of digital inputs	
<ul style="list-style-type: none"> • with a common reference potential 	4
Digital input version	
<ul style="list-style-type: none"> • Type 1 acc. to IEC 61131 	Yes
Input voltage at digital input at DC rated value	24 V
Number of outputs	3
Number of semiconductor outputs	0
Number of outputs as contact-affected switching element	3
Switching behavior	monostable
Type of relay outputs	Monostable
Wire length for digital signals maximum	300 m
Wire length for thermistor connection	
<ul style="list-style-type: none"> • with conductor cross-section = 0.5 mm² maximum 	50 m
<ul style="list-style-type: none"> • with conductor cross-section = 1.5 mm² maximum 	150 m

- with conductor cross-section = 2.5 mm² maximum

250 m

Protective and monitoring functions

Product function	
• Phase unbalance	Yes
• blocking current evaluation	Yes
• power factor monitoring	Yes
• Ground fault detection	Yes
• Phase failure detection	Yes
• phase sequence recognition	Yes
• voltage detection	Yes
• Monitoring of number of start operations	Yes
• Overvoltage detection	Yes
• Overcurrent detection 1 phase	Yes
• undervoltage detection	Yes
• undercurrent detection 1 phase	Yes
• active power monitoring	Yes
Product function	
• Current detection	Yes
• Overload protection	Yes
• Evaluation of thermistor motor protection	Yes
Total cold resistance number of sensors in series maximum	1.5 kΩ
Response value of thermoresistor	3 400 ... 3 800 Ω
• of the short-circuit control	9 Ω
Release value of thermoresistor	1 500 ... 1 650 Ω

Motor control functions

Product function	
• parameterizable overload relay	Yes
• circuit breaker control	Yes
• direct start	Yes
• reverse starting	Yes
• star-delta circuit	Yes
• star-delta reversing circuit	Yes
• Dahlander circuit	Yes
• Dahlander reversing circuit	Yes
• pole-changing switch circuit	Yes
• pole-changing switch reversing circuit	Yes
• Slide control	Yes
• valve control	Yes

Communication/ Protocol

<ul style="list-style-type: none"> • Protocol is supported PROFIBUS DP protocol 	No
<ul style="list-style-type: none"> • Protocol is supported PROFINET IO protocol 	Yes
<ul style="list-style-type: none"> • Protocol is supported PROFI-safe protocol 	Yes
<ul style="list-style-type: none"> • Protocol is supported Modbus RTU 	No
<ul style="list-style-type: none"> • Protocol is supported EtherNet/IP 	No
<ul style="list-style-type: none"> • Protocol is supported OPC UA Server 	Yes
<ul style="list-style-type: none"> • Protocol is supported LLDP 	Yes
<ul style="list-style-type: none"> • Protocol is supported Address Resolution Protocol (ARP) 	Yes
<ul style="list-style-type: none"> • Protocol is supported SNMP 	Yes
<ul style="list-style-type: none"> • Protocol is supported HTTPS 	Yes
<ul style="list-style-type: none"> • Protocol is supported NTP 	Yes
<ul style="list-style-type: none"> • Protocol is supported Media Redundancy Protocol (MRP) 	Yes
<ul style="list-style-type: none"> • Product function is supported Device Level Ring (DLR) 	No
Number of interfaces	
<ul style="list-style-type: none"> • acc. to PROFINET 	2
<ul style="list-style-type: none"> • acc. to PROFIBUS 	0
<ul style="list-style-type: none"> • according to Ethernet/IP 	0
Product function	
<ul style="list-style-type: none"> • web server 	Yes
<ul style="list-style-type: none"> • shared device 	Yes
<ul style="list-style-type: none"> • at the Ethernet interface Autocrossover 	Yes
<ul style="list-style-type: none"> • at the Ethernet interface Autonegotiation 	Yes
<ul style="list-style-type: none"> • at the Ethernet interface Autosensing 	Yes
<ul style="list-style-type: none"> • Media Redundancy Protocol for Planned Duplication (MRPD) 	Yes
<ul style="list-style-type: none"> • is supported PROFINET system redundancy 	Yes; In conjunction with SIMATIC PCS 7 CPU 410-5H
<ul style="list-style-type: none"> • supports PROFIenergy measured values 	Yes
<ul style="list-style-type: none"> • supports PROFIenergy shutdown 	Yes
Transfer rate maximum	100 Mbit/s
PROFINET conformity class	B
Identification & maintenance function	
<ul style="list-style-type: none"> • I&M0 - device-specific information 	Yes
<ul style="list-style-type: none"> • I&M1 – higher-level designation/location designation 	Yes
<ul style="list-style-type: none"> • I&M2 - installation date 	Yes
<ul style="list-style-type: none"> • I&M3 - comment 	Yes
Type of electrical connection	
<ul style="list-style-type: none"> • of the communication interface 	2x RJ45

Installation/ mounting/ dimensions

Mounting position	any
Mounting type	screw and snap-on mounting
Height	111 mm
Width	45 mm
Depth	124 mm
Required spacing	
• top	40 mm
• bottom	40 mm
• left	0 mm
• right	0 mm

Connections/ Terminals

Product function	
• removable terminal for auxiliary and control circuit	Yes
Type of electrical connection	
• for auxiliary and control current circuit	screw-type terminals
Type of connectable conductor cross-sections	
• solid	1x (0.5 ... 4.0 mm ²), 2x (0.5 ... 2.5 mm ²)
• finely stranded with core end processing	1x (0.5 ... 2.5 mm ²), 2x (0.5 ... 1.5 mm ²)
• at AWG conductors solid	1x (20 ... 12), 2x (20 ... 14)
• at AWG conductors stranded	1x (20 ... 14), 2x (20 ... 16)
Tightening torque	
• with screw-type terminals	0.8 ... 1.2 N·m
Tightening torque [lbf·in]	
• with screw-type terminals	7 ... 10.3 lbf·in

Ambient conditions

Installation altitude at height above sea level	
• 1 maximum	2 000 m
• 2 maximum	3 000 m; max. +50 °C (no protective separation)
• 3 maximum	4 000 m; max. +40 °C (no protective separation)
Ambient temperature	
• during operation	-25 ... +60 °C
Environmental category	
• during operation acc. to IEC 60721	3K6 (no formation of ice, no condensation, relative humidity 10 ... 95%), 3C3 (no salt mist), 3S2 (sand must not get into the devices), 3M6
• during storage acc. to IEC 60721	1K6 (no condensation, relative humidity 10 ... 95%), 1C2 (no salt mist), 1S2 (sand must not get into the devices), 1M4
• during transport acc. to IEC 60721	2K2, 2C1, 2S1, 2M2
Relative humidity	
• during operation	5 ... 95 %
Contact rating of auxiliary contacts according to UL	B300 / R300

Short-circuit protection

Design of short-circuit protection

- per output

Fuse links: gG 6 A, quick-response 10 A (IEC 60947-5-1), miniature circuit-breaker C char.: 1.6 A (IEC 60947-5-1) or 6 A (I_K < 500 A)

Safety related data

Protection against electrical shock

finger-safe

Galvanic isolation

(electrically) protective separation acc. to IEC 60947-1

All circuits with protective separation (double creepage paths and clearances), the information in the "Protective Separation" test report, No. A0258, must be observed (link see further information)

Control circuit/ Control

Product function soft starter control

Yes

Type of voltage of the control supply voltage

AC/DC

Control supply voltage at AC

- at 50 Hz rated value
- at 60 Hz rated value

110 ... 240 V

110 ... 240 V

Control supply voltage frequency

- 1 rated value
- 2 rated value

50 Hz

60 Hz

Relative symmetrical tolerance of the control supply voltage frequency

5 %

Control supply voltage at DC

- rated value

110 ... 240 V

Operating range factor control supply voltage rated value at DC

- initial value
- Full-scale value

0.85

1.1

Operating range factor control supply voltage rated value at AC at 50 Hz

- initial value
- Full-scale value

0.85

1.1

Operating range factor control supply voltage rated value at AC at 60 Hz

- initial value
- Full-scale value

0.85

1.1

Certificates/ approvals

General Product Approval	EMC	For use in hazardous locations
--------------------------	-----	--------------------------------



For use in hazardous locations	Declaration of Conformity	Test Certificates	Marine / Shipping
--------------------------------	---------------------------	-------------------	-------------------



[Miscellaneous](#)

[Special Test Certificate](#)

[Type Test Certificates/Test Report](#)



Marine / Shipping	other
-------------------	-------



[Confirmation](#)

[PROFIsafe-Certification](#)



Profibus

other

[PROFINET-Certification](#)

Further information

Information- and Downloadcenter (Catalogs, Brochures,...)

www.siemens.com/ic10

Industry Mall (Online ordering system)

<https://mall.industry.siemens.com/mall/en/en/Catalog/product?mlfb=3UF7011-1AU00-0>

Cax online generator

<http://support.automation.siemens.com/WW/CAXorder/default.aspx?lang=en&mlfb=3UF7011-1AU00-0>

Service&Support (Manuals, Certificates, Characteristics, FAQs,...)

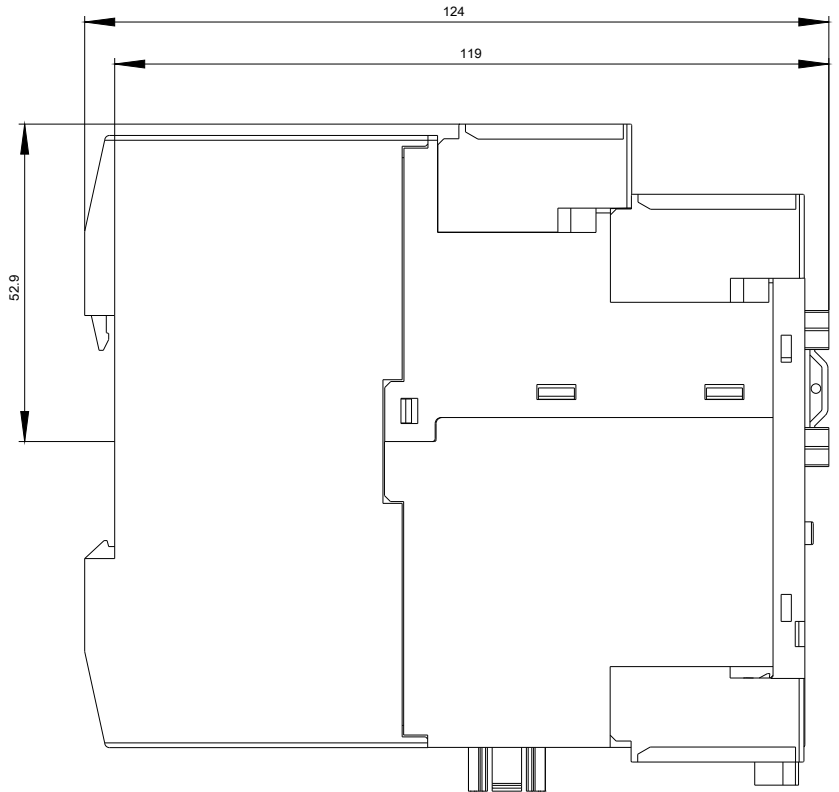
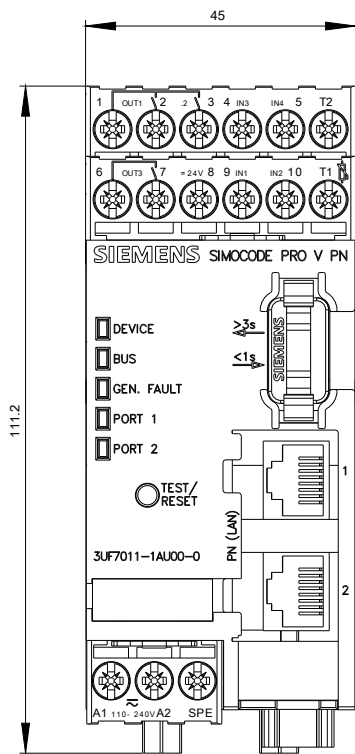
<https://support.industry.siemens.com/cs/ww/en/ps/3UF7011-1AU00-0>

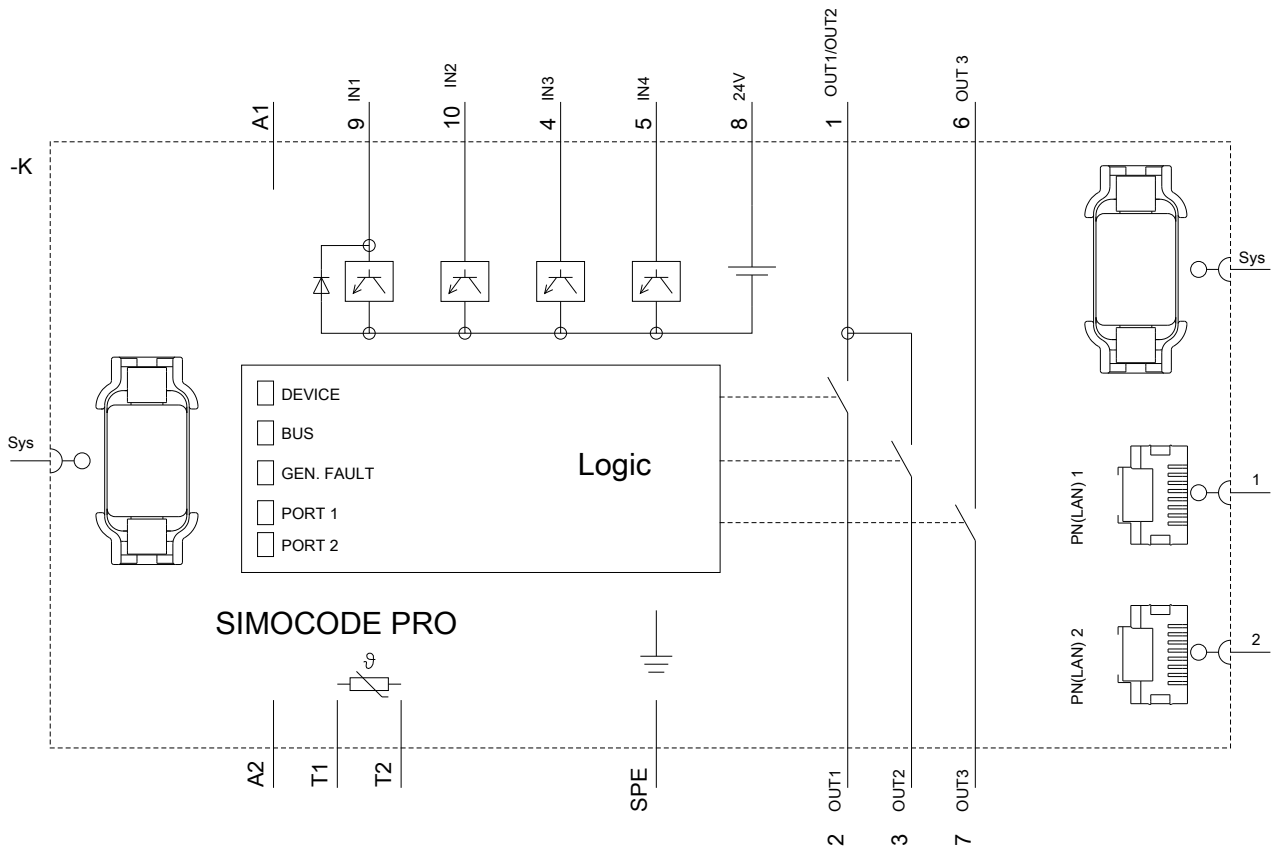
Image database (product images, 2D dimension drawings, 3D models, device circuit diagrams, EPLAN macros, ...)

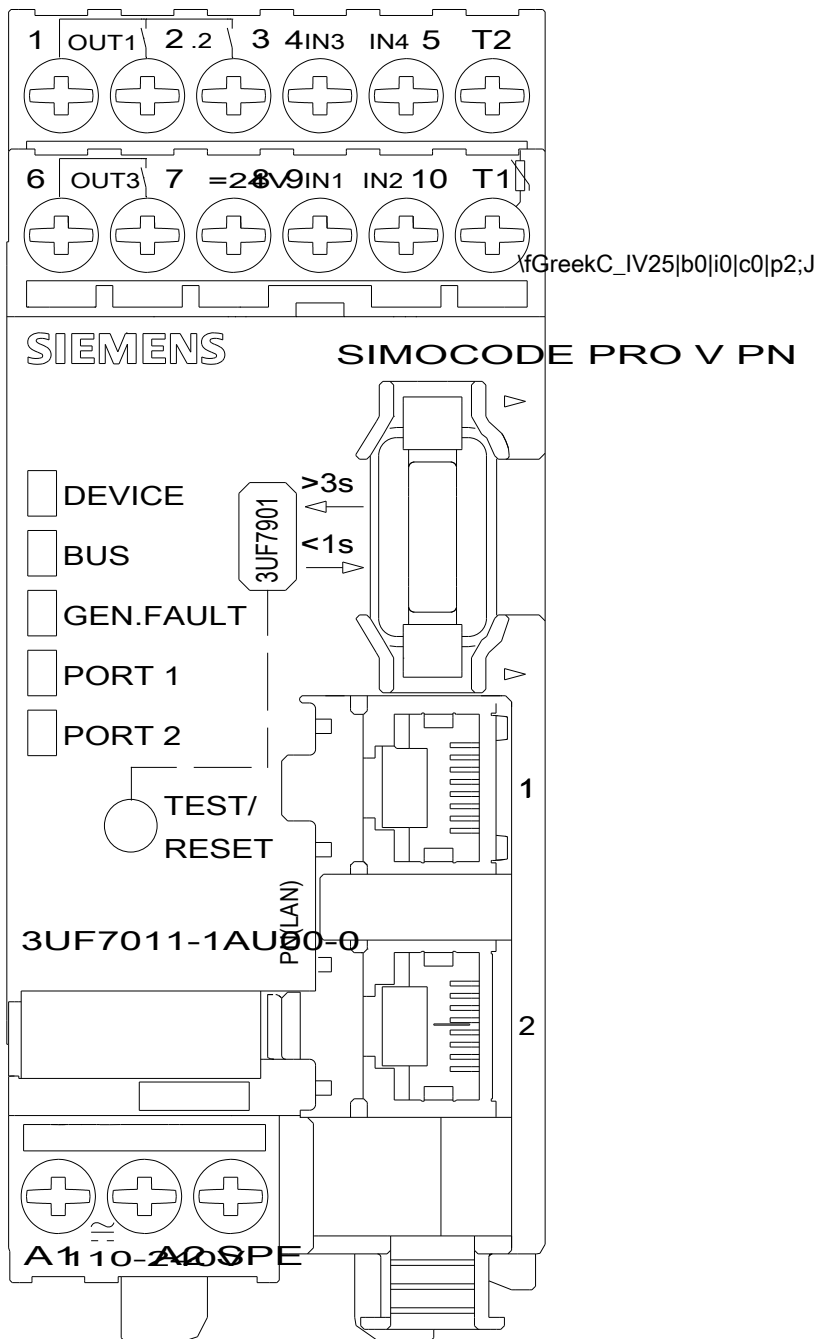
http://www.automation.siemens.com/bilddb/cax_de.aspx?mlfb=3UF7011-1AU00-0&lang=en

Test report No. A0258, protective separation

<https://support.industry.siemens.com/cs/ww/en/view/109748152>







last modified:

12/16/2019