

SIRIUS ACT: Terminal module (LED module), integrated LED yellow, for front plate mounting



|                          |                     |
|--------------------------|---------------------|
| Product brand name       | SIRIUS ACT          |
| Product designation      | Terminal module     |
| Design of the product    | with integrated LED |
| Product type designation | 3SU1                |

| Display  |     |
|--|-----|
| <b>Display version</b>   |     |
| <ul style="list-style-type: none"> <li>for diagnostic function: Supply voltage monitoring Power LED</li> </ul> | Yes |
| <ul style="list-style-type: none"> <li>status Tx/Rx link</li> </ul>  | No  |

| General technical data  |  |
|---|--|
| <b>Product function</b>   |  |
| <ul style="list-style-type: none"> <li>Reverse polarity protection</li> </ul> | Yes; Ribbon cable can be rotated 180°. |
| <ul style="list-style-type: none"> <li>Diagnostics function</li> </ul>        | Yes                                    |
| <b>Firmware version</b>   | 1.0.0                                  |
| <b>Hardware version</b>   | 1                                      |
| <b>Software version with STEP 7 in the TIA Portal required</b>                | V13 SP1 (V13 SP1 and V14 with HSP0132) |
| <b>Power loss [W] typical</b>   | 0.115 W                                |
| <b>Degree of pollution</b>  | 3                                      |

|  |        |
|--|--------|
| <b>Type of voltage</b>                       |        |
| • of the operating voltage                   | DC     |
| • of the input voltage                       | DC     |
| <b>Surge voltage resistance rated value</b>  | 0.8 kV |
| <b>Consumed current</b>                      |        |
| • maximum                                    | 27 mA  |
| • Rated value                                | 23 mA  |
| <b>Protection class IP</b>                   | IP20   |
| <b>Reference code acc. to DIN EN 81346-2</b> | K      |

#### Communication/ Protocol

|                              |    |
|------------------------------|----|
| <b>Protocol is supported</b> |    |
| • PROFI-safe protocol        | No |

#### Connections/ Terminals

|   |   |
|---|---|
| <b>Type of electrical connection</b>                              | Insulation displacement connection            |
| <b>Type of connectable conductor cross-sections</b>               | Ribbon cable 7-pole, 7 x 0.08 mm <sup>2</sup> |
| <b>Connectable conductor cross-section for auxiliary contacts</b> |   |
| • single or multi-stranded  | 0.08 ... 0.08 mm <sup>2</sup>                 |
| • finely stranded with core end processing                        | 0.08 mm <sup>2</sup>                          |
| <b>Connectable conductor cross-section</b>                        |   |
| • solid   | 0.08 ... 0.08 mm <sup>2</sup>                 |
| • solid with core end processing                                  | 0.08 ... 0.08 mm <sup>2</sup>                 |
| • finely stranded with core end processing                        | 0.08 ... 0.08 mm <sup>2</sup>                 |
| • finely stranded without core end processing                     | 0.08 ... 0.08 mm <sup>2</sup>                 |
| <b>AWG number as coded connectable conductor cross section</b>    | 28 ... 28                                     |

#### Lamp

|                                  |        |
|----------------------------------|--------|
| <b>Color of the light source</b> | yellow |
|----------------------------------|--------|

#### Safety related data

|                             |      |
|-----------------------------|------|
| <b>Service life maximum</b> | 20 y |
|-----------------------------|------|

#### Ambient conditions

|  |  |
|--|--|
| Environmental category during operation acc. to IEC 60721                            | 3M6, 3S2, 3B2, 3K6 (with relative air humidity of 10 ... 95 %, no condensation in operation permitted) |
| <b>Explosion protection marking for intrinsic safety of related equipment EEx ia</b> | No   |
| <b>Explosion protection marking for intrinsic safety of related equipment EEx ib</b> | No   |

#### Installation/ mounting/ dimensions

|  |                  |
|--|------------------|
| Mounting type of modules and accessories | Snap-on mounting |
| <b>Height</b>                            | 32.6 mm          |
| <b>Width</b>                             | 30 mm            |

Depth

31.5 mm

## Certificates/ approvals

### General Product Approval



EG-Konf.

EG-Konf.

EG-Konf.

EG-Konf.

[Miscellaneous](#)

[Type Test Certificates/Test Report](#)

[Special Test Certificate](#)

### other

[Confirmation](#)

## Further information

### Information- and Downloadcenter (Catalogs, Brochures,...)

[www.siemens.com/ic10](http://www.siemens.com/ic10)

### Industry Mall (Online ordering system)

<https://mall.industry.siemens.com/mall/en/en/Catalog/product?mlfb=3SU1401-1ME30-1DA1>

### Cax online generator

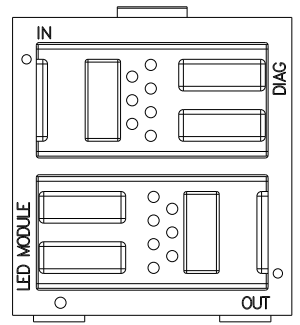
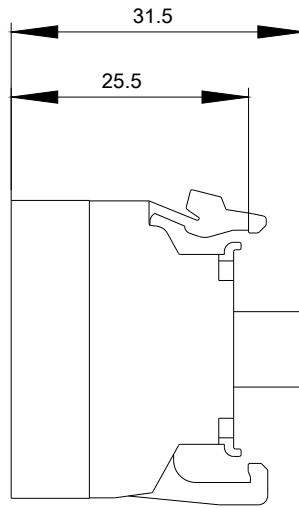
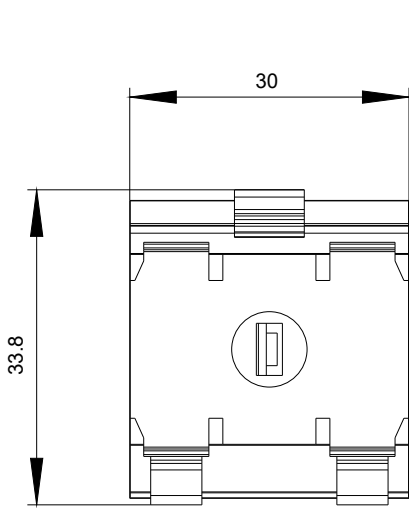
<http://support.automation.siemens.com/WW/CAXorder/default.aspx?lang=en&mlfb=3SU1401-1ME30-1DA1>

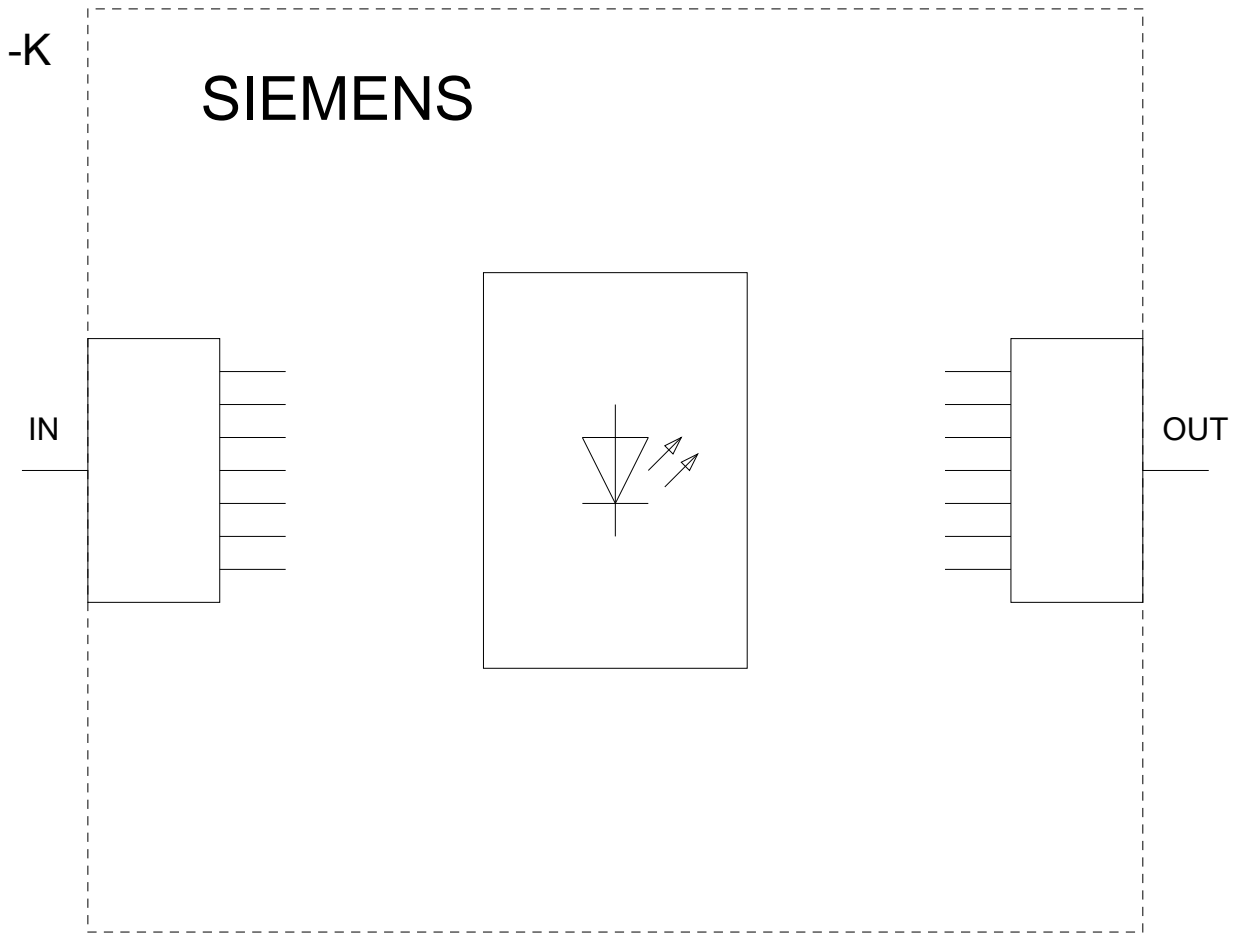
### Service&Support (Manuals, Certificates, Characteristics, FAQs,...)

<https://support.industry.siemens.com/cs/ww/en/ps/3SU1401-1ME30-1DA1>

### Image database (product images, 2D dimension drawings, 3D models, device circuit diagrams, EPLAN macros, ...)

[http://www.automation.siemens.com/bilddb/cax\\_de.aspx?mlfb=3SU1401-1ME30-1DA1&lang=en](http://www.automation.siemens.com/bilddb/cax_de.aspx?mlfb=3SU1401-1ME30-1DA1&lang=en)





last modified:

12/18/2019