

LED module with integrated LED 24 V AC/DC, blue, screw terminal, for front plate mounting, Minimum order quantity 5 or a multiple thereof



|                          |            |
|--------------------------|------------|
| product brand name       | SIRIUS ACT |
| Product designation      | LED module |
| Product type designation | 3SU1       |

General technical data

|   |       |
|---|-------|
| <b>Product component</b>                    |       |
| • diode                                     | Yes   |
| • lamp transformer                          | No    |
| • Light source                              | Yes   |
| • series resistor                           | No    |
| • Insulation voltage rated value            | 320 V |
| <b>Degree of pollution</b>                  | 3     |
| <b>Type of voltage</b>                      |       |
| • of the operating voltage                  | AC/DC |
| • of the operating voltage for actuation    | AC/DC |
| <b>Surge voltage resistance rated value</b> | 4 kV  |
| • consumed current maximum                  | 25 mA |
| • Protection class IP of the enclosure      | IP40  |
| • Protection class IP of the terminal       | IP20  |
| <b>Shock resistance</b>                     |       |

|  |   |
|--|---|
| <ul style="list-style-type: none"> <li>• acc. to IEC 60068-2-27</li> <li>• for railway applications acc. to DIN EN 61373</li> </ul>  | Sinusoidal half-wave 50g / 11 ms<br>Category 1, Class B |
| <b>Vibration resistance</b>  |   |
| <ul style="list-style-type: none"> <li>• acc. to IEC 60068-2-6</li> <li>• for railway applications acc. to DIN EN 61373</li> </ul>   | 10 ... 500 Hz: 5g<br>Category 1, Class B                |
| <b>Operating period typical</b>  | 100 000 h   |
| <b>Reference code acc. to DIN EN 81346-2</b>   | P   |
| <b>Operating voltage 1</b>   |   |
| <ul style="list-style-type: none"> <li>• at AC <ul style="list-style-type: none"> <li>— at 50 Hz rated value</li> <li>— at 60 Hz rated value</li> </ul> </li> <li>• at DC rated value</li> </ul> | 24 V<br>24 V<br>24 V                                    |
| <b>Relative positive tolerance of the operating voltage</b>  | 20 %  |
| <b>Relative negative tolerance of the operating voltage</b>  | 20 %  |

#### Control circuit/ Control

|                               |     |
|-------------------------------|-----|
| <b>Inrush current maximum</b> | 2 A |
|-------------------------------|-----|

#### Connections/ Terminals

|  |                                    |
|--|------------------------------------|
| <ul style="list-style-type: none"> <li>• <b>type of electrical connection</b></li> </ul>   | screw-type terminals               |
| <ul style="list-style-type: none"> <li>• Type of connectable conductor cross-sections solid with core end processing</li> </ul>              | 2x (0.5 ... 0.75 mm <sup>2</sup> ) |
| <ul style="list-style-type: none"> <li>• Type of connectable conductor cross-sections solid without core end processing</li> </ul>           | 2x (1.0 ... 1.5 mm <sup>2</sup> )  |
| <ul style="list-style-type: none"> <li>• Type of connectable conductor cross-sections finely stranded with core end processing</li> </ul>    | 2x (0.5 ... 1.5 mm <sup>2</sup> )  |
| <ul style="list-style-type: none"> <li>• Type of connectable conductor cross-sections finely stranded without core end processing</li> </ul> | 2x (1,0 ... 1,5 mm <sup>2</sup> )  |
| <ul style="list-style-type: none"> <li>• Type of connectable conductor cross-sections at AWG conductors</li> </ul>                           | 2x (18 ... 14)                     |
| <b>Tightening torque</b>   |                                    |
| <ul style="list-style-type: none"> <li>• with screw-type terminals</li> </ul>  | 0.8 ... 0.9 N·m                    |

#### Lamp

|   |                 |
|---|-----------------|
| <b>type of light source</b>   | LED             |
| <b>Color of the light source</b>  | blue            |
| <b>Light intensity</b>  | 280 ... 710 mcd |
| <b>Certificate of suitability</b>   |                 |
| <ul style="list-style-type: none"> <li>• ATEX</li> <li>• IECEx</li> </ul> | No<br>No        |

#### Ambient conditions

|   |   |
|---|---|
| Environmental category during operation acc. to IEC 60721 | 3M6, 3S2, 3B2, 3C3, 3K6 (with relative air humidity of 10 ... 95 %, no condensation in operation permitted) |
|---|---|

#### Installation/ mounting/ dimensions

|                              |                      |
|------------------------------|----------------------|
| <b>Mounting type</b>         | Front plate mounting |
| • of modules and accessories |                      |
| <b>Height</b>                | 33.2 mm              |
| <b>Width</b>                 | 9.8 mm               |
| <b>Depth</b>                 | 29.4 mm              |

### Certificates/ approvals

|                                 |            |                                  |
|---------------------------------|------------|----------------------------------|
| <b>General Product Approval</b> | <b>EMC</b> | <b>Declaration of Conformity</b> |
|---------------------------------|------------|----------------------------------|



|                                  |                          |                          |
|----------------------------------|--------------------------|--------------------------|
| <b>Declaration of Conformity</b> | <b>Test Certificates</b> | <b>Marine / Shipping</b> |
|----------------------------------|--------------------------|--------------------------|

[Miscellaneous](#)

[Special Test Certificate](#)

[Type Test Certificates/Test Report](#)



|                          |              |
|--------------------------|--------------|
| <b>Marine / Shipping</b> | <b>other</b> |
|--------------------------|--------------|



[Confirmation](#)

### Further information

**Information- and Downloadcenter (Catalogs, Brochures,...)**

<https://www.siemens.com/ic10>

**Industry Mall (Online ordering system)**

<https://mall.industry.siemens.com/mall/en/en/Catalog/product?mlfb=3SU1401-1BB50-1AA0>

**Cax online generator**

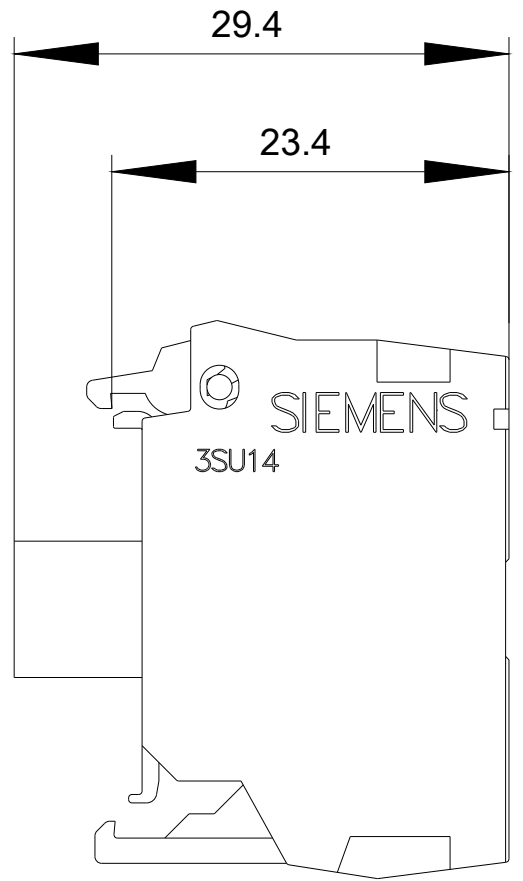
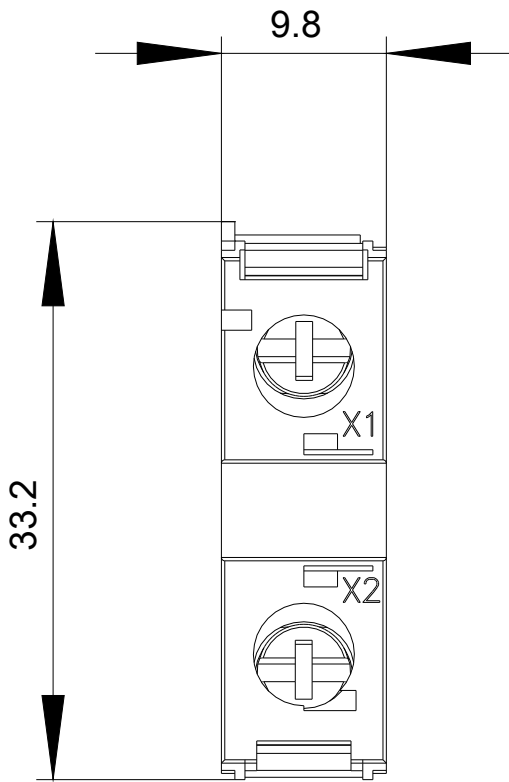
<http://support.automation.siemens.com/WW/CAXorder/default.aspx?lang=en&mlfb=3SU1401-1BB50-1AA0>

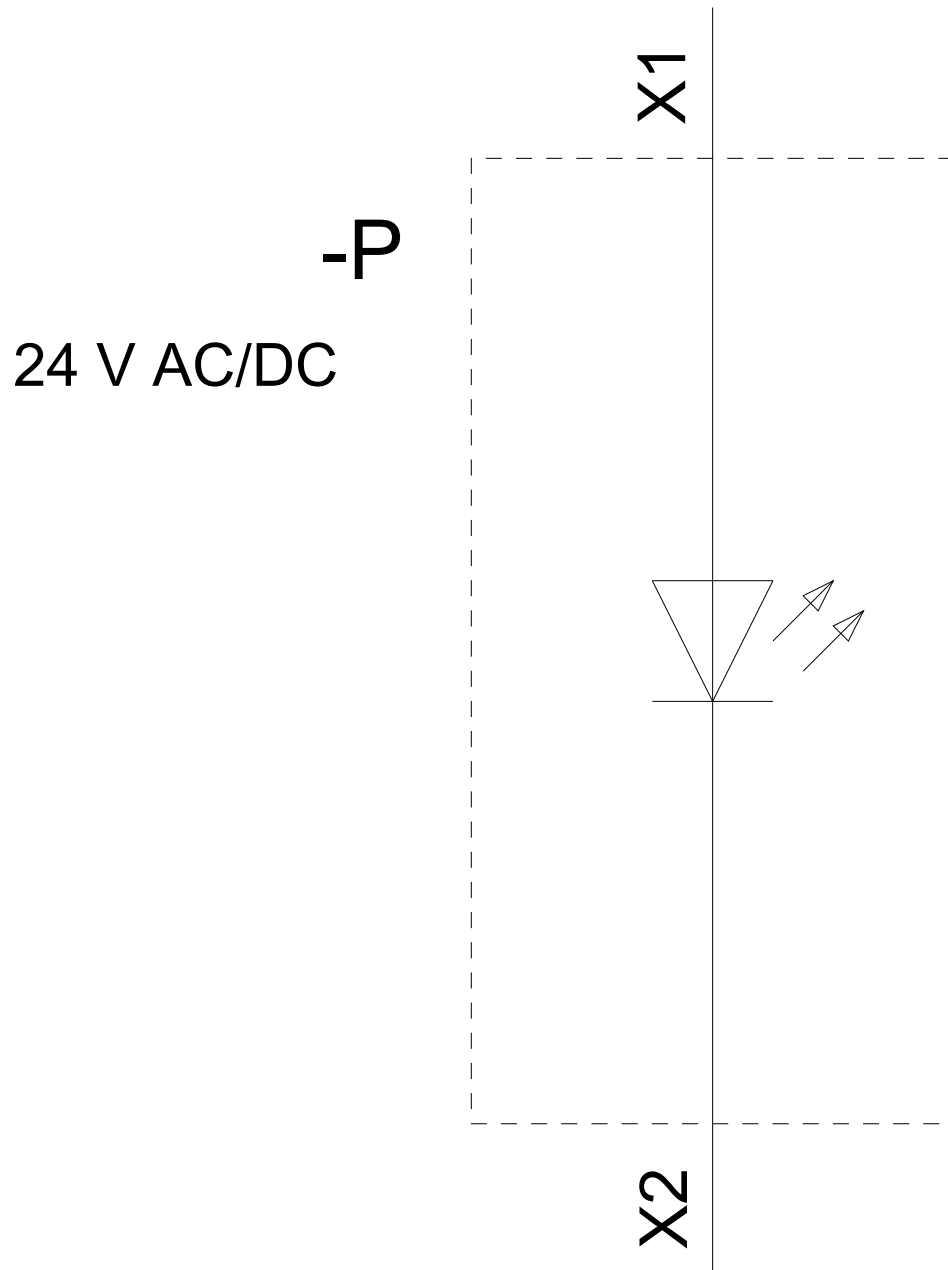
**Service&Support (Manuals, Certificates, Characteristics, FAQs,...)**

<https://support.industry.siemens.com/cs/ww/en/ps/3SU1401-1BB50-1AA0>

**Image database (product images, 2D dimension drawings, 3D models, device circuit diagrams, EPLAN macros, ...)**

[http://www.automation.siemens.com/bilddb/cax\\_de.aspx?mlfb=3SU1401-1BB50-1AA0&lang=en](http://www.automation.siemens.com/bilddb/cax_de.aspx?mlfb=3SU1401-1BB50-1AA0&lang=en)





last modified:

08/20/2020