

holder, 3-way, metal, 1 NO, screw terminal



<b>product brand name</b>	SIRIUS ACT
<b>product designation</b>	Holders
<b>product type designation</b>	3SU1
<ul style="list-style-type: none"> <li>• Manufacturer's article number of supplied contact module</li> <li>• Manufacturer's article number 1 of supplied contact module</li> <li>• Manufacturer's article number of the supplied holder</li> </ul>	<a href="#">3SU1400-1AA10-1BA0</a> <a href="#">3SU1400-1AA10-1BA0</a> <a href="#">3SU1550-0AA10-0AA0</a>
<b>Actuator</b>	
<b>design of the operating mechanism</b>	3-way with module
<b>Number of contact modules</b>	1
<b>Holder</b>	
<b>Material of the holder</b>	Metal
<b>Display</b>	
<b>Number of LED modules</b>	0
<b>General technical data</b>	
<ul style="list-style-type: none"> <li>• product function positive opening</li> </ul>	No

<ul style="list-style-type: none"> <li>• product component diode</li> </ul>	No
<ul style="list-style-type: none"> <li>• product component lamp transformer</li> </ul>	No
<ul style="list-style-type: none"> <li>• product component light source</li> </ul>	No
<ul style="list-style-type: none"> <li>• product component series resistor</li> </ul>	No
<b>insulation voltage</b>	
<ul style="list-style-type: none"> <li>• rated value</li> </ul>	500 V
<b>degree of pollution</b>	3
<b>surge voltage resistance rated value</b>	6 kV
<b>protection class IP</b>	
<ul style="list-style-type: none"> <li>• of the terminal</li> </ul>	IP20
<ul style="list-style-type: none"> <li>• shock resistance acc. to IEC 60068-2-27</li> </ul>	Sinusoidal half-wave 50g / 11 ms
<ul style="list-style-type: none"> <li>• Shock resistance for railway applications acc. to DIN EN 61373</li> </ul>	Category 1, Class B
<ul style="list-style-type: none"> <li>• vibration resistance acc. to IEC 60068-2-6</li> </ul>	10 ... 500 Hz: 5g
<ul style="list-style-type: none"> <li>• Vibration resistance for railway applications acc. to DIN EN 61373</li> </ul>	Category 1, Class B
<b>operating frequency maximum</b>	3 600 1/h
<ul style="list-style-type: none"> <li>• mechanical service life (switching cycles) typical</li> </ul>	10
<b>thermal current</b>	10 A
<b>reference code acc. to DIN EN 81346-2</b>	U
<b>Continuous current of the C characteristic MCB</b>	10 A; for a short-circuit current smaller than 400 A
<b>Continuous current of the quick DIAZED fuse link</b>	10 A
<b>Continuous current of the DIAZED fuse link gG</b>	10 A
<ul style="list-style-type: none"> <li>• <ul style="list-style-type: none"> <li>— operating voltage at AC at 50 Hz rated value</li> </ul> </li> <li>— operating voltage at AC at 60 Hz rated value</li> <li>• operating voltage at DC <ul style="list-style-type: none"> <li>— rated value</li> </ul> </li> </ul>	5 ... 500 V
	5 ... 500 V
	5 ... 500 V

## Power Electronics

<b>Contact reliability</b>	One maloperation per 100 million (17 V, 5 mA), one maloperation per 10 million (5 V, 1 mA)
----------------------------	--

## Auxiliary circuit

<b>design of the contact of auxiliary contacts</b>	Silver alloy
<ul style="list-style-type: none"> <li>• number of NC contacts for auxiliary contacts</li> </ul>	0
<ul style="list-style-type: none"> <li>• number of NO contacts for auxiliary contacts</li> </ul>	1
<ul style="list-style-type: none"> <li>• Operating current at AC-15 at 230 V rated value</li> </ul>	6 A

## Connections/ Terminals

<ul style="list-style-type: none"> <li>• Type of electrical connection of modules and accessories</li> </ul>	Screw-type terminal
<ul style="list-style-type: none"> <li>• Type of connectable conductor cross-sections solid with core end processing</li> </ul>	2x (0.5 ... 0.75 mm <sup>2</sup> )
<ul style="list-style-type: none"> <li>• Type of connectable conductor cross-sections solid without core end processing</li> </ul>	2x (1.0 ... 1.5 mm <sup>2</sup> )
<ul style="list-style-type: none"> <li>• Type of connectable conductor cross-sections finely stranded with core end processing</li> </ul>	2x (0.5 ... 1.5 mm <sup>2</sup> )
<ul style="list-style-type: none"> <li>• Type of connectable conductor cross-sections finely stranded without core end processing</li> </ul>	2x (1,0 ... 1,5 mm <sup>2</sup> )
<ul style="list-style-type: none"> <li>• type of connectable conductor cross-sections at AWG conductors</li> </ul>	2x (18 ... 14)
<b>Tightening torque of the screws in the bracket</b>	1 ... 1.2 N·m
<ul style="list-style-type: none"> <li>• tightening torque with screw-type terminals</li> </ul>	0.8 ... 0.9 N·m
<ul style="list-style-type: none"> <li>• Tightening torque for grounding</li> </ul>	0.8 ... 1 N·m

#### Ambient conditions

Environmental category during operation acc. to IEC 60721	3M6, 3S2, 3B2, 3C3, 3K6 (with relative air humidity of 10 ... 95 %, no condensation in operation permitted)
---	---

#### Installation/ mounting/ dimensions

<ul style="list-style-type: none"> <li>• <b>mounting type</b></li> </ul>	front panel mounting
<ul style="list-style-type: none"> <li>• Mounting type of modules and accessories</li> </ul>	Front plate mounting
<b>height</b>	40 mm
<b>width</b>	30 mm
<b>Shape of the installation opening</b>	round
<b>installation width</b>	30 mm
<b>installation depth</b>	49.8 mm

#### Certificates/ approvals

General Product Approval	Declaration of Conformity
--------------------------	---------------------------



CCC



CSA



UL



EG-Konf.

[Miscellaneous](#)

Test Certificates	Marine / Shipping
-------------------	-------------------

[Special Test Certificate](#)

[Type Test Certificates/Test Report](#)



ABS



LRS



PRS



RINA

Marine / Shipping	other
-------------------	-------



RMRS

[Confirmation](#)

Further information

**Information- and Downloadcenter (Catalogs, Brochures,...)**

<https://www.siemens.com/ic10>

**Industry Mall (Online ordering system)**

<https://mall.industry.siemens.com/mall/en/en/Catalog/product?mlfb=3SU1550-1AA10-1BA0>

**Cax online generator**

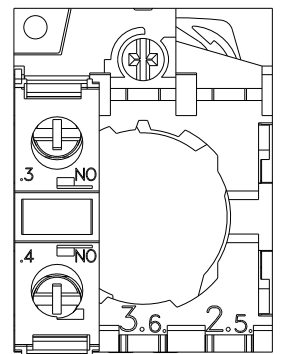
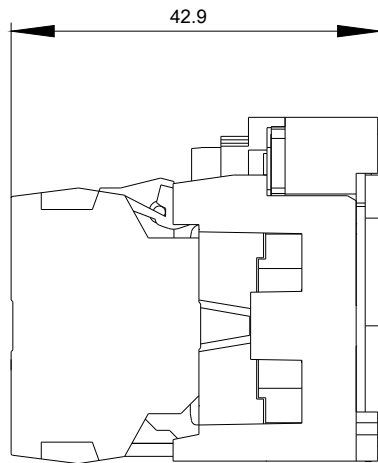
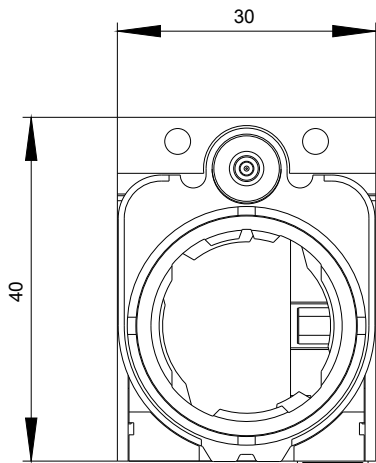
<http://support.automation.siemens.com/WW/CAXorder/default.aspx?lang=en&mlfb=3SU1550-1AA10-1BA0>

**Service&Support (Manuals, Certificates, Characteristics, FAQs,...)**

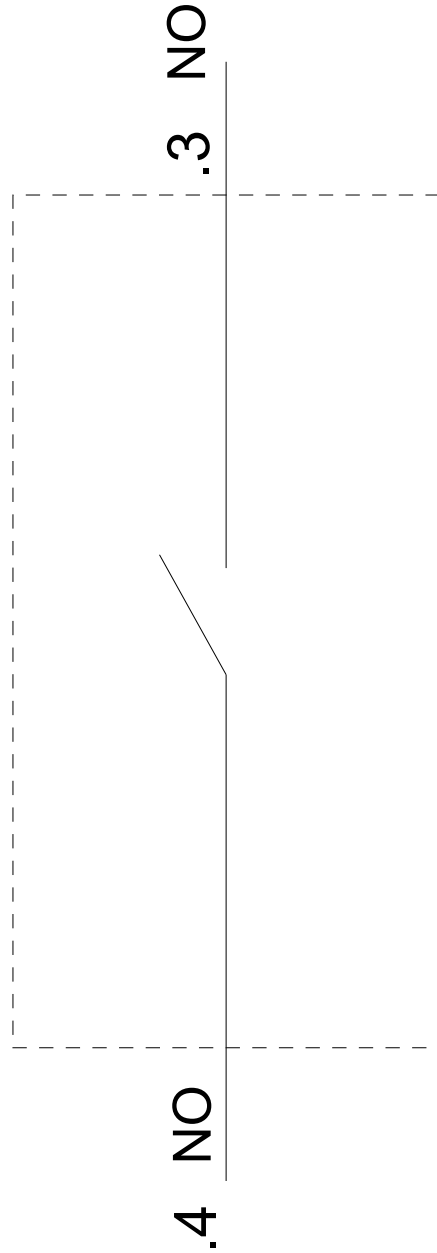
<https://support.industry.siemens.com/cs/ww/en/ps/3SU1550-1AA10-1BA0>

**Image database (product images, 2D dimension drawings, 3D models, device circuit diagrams, EPLAN macros, ...)**

[http://www.automation.siemens.com/bilddb/cax\\_de.aspx?mlfb=3SU1550-1AA10-1BA0&lang=en](http://www.automation.siemens.com/bilddb/cax_de.aspx?mlfb=3SU1550-1AA10-1BA0&lang=en)



š



last modified:

08/20/2020