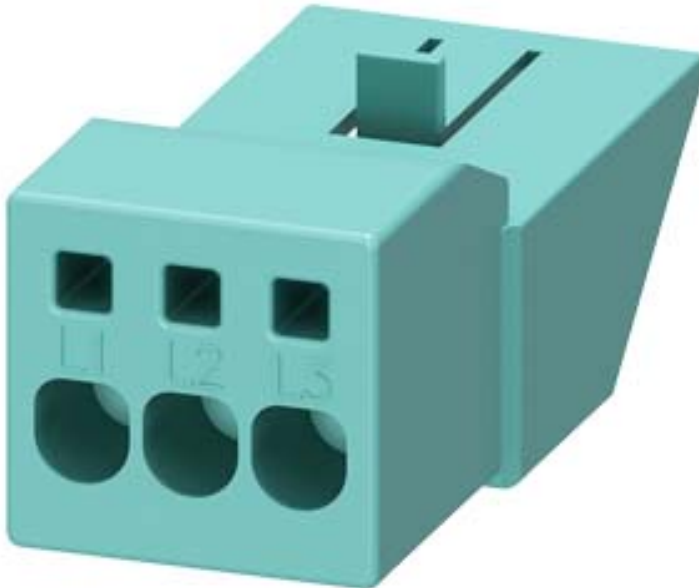


Terminal block Device infeed



General technical data:

Product brand name		SIRIUS
Product designation		Terminal block
Design of the product		for power outlet
Size of the circuit-breaker		S00, S0
Protection class IP on the front		IP20
Insulation voltage with degree of pollution 3 rated value	V	500
Ambient temperature		
• during storage	°C	-50 ... +80
• during operation	°C	-20 ... +60
Ampacity maximum	A	32

Installation/ mounting/ dimensions:

Width	mm	26
Height	mm	25
Depth	mm	60

Connections/ Terminals:

Type of electrical connection for main current circuit		spring-loaded terminals
--	--	-------------------------

Type of connectable conductor cross-sections	
<ul style="list-style-type: none"> • for main contacts <ul style="list-style-type: none"> — solid — stranded — finely stranded <ul style="list-style-type: none"> — with core end processing • at AWG conductors for main contacts 	<p>1x (1 ... 10 mm²)</p> <p>1x (1 ... 10 mm²)</p> <p>1x (1 ... 6 mm²)</p> <p>1x (18 ... 8)</p>

Certificates/ approvals:

Certificate of suitability	CE / UL / CSA / CCC
-----------------------------------	---------------------

General Product Approval	Declaration of Conformity	Test Certificates
--------------------------	---------------------------	-------------------



[Miscellaneous](#)

[Type Test Certificates/Test Report](#)

Shipping Approval	other
-------------------	-------



[Confirmation](#)



Further information

Information- and Downloadcenter (Catalogs, Brochures,...)

<http://www.siemens.com/industrial-controls/catalogs>

Industry Mall (Online ordering system)

<http://www.siemens.com/industrymall>

Cax online generator

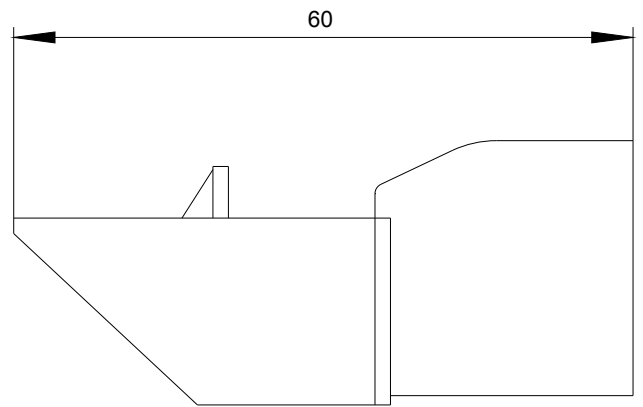
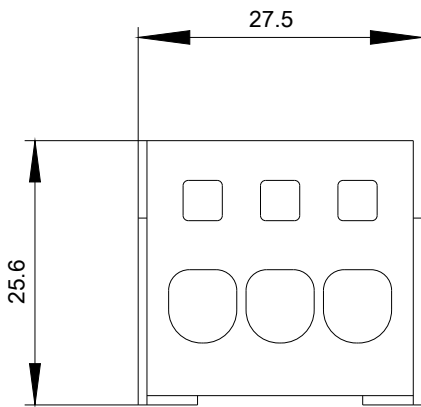
<http://support.automation.siemens.com/WW/CAXorder/default.aspx?lang=en&mlfb=3RV2917-5FA00>

Service&Support (Manuals, Certificates, Characteristics, FAQs,...)

<https://support.industry.siemens.com/cs/ww/en/ps/3RV2917-5FA00>

Image database (product images, 2D dimension drawings, 3D models, device circuit diagrams, EPLAN macros, ...)

http://www.automation.siemens.com/bilddb/cax_de.aspx?mlfb=3RV2917-5FA00&lang=en



last modified:

11/27/2019