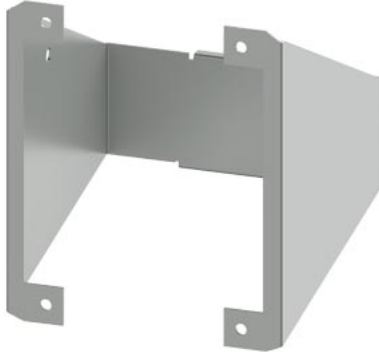


Holder for front plate Size S0



product designation	Holder for front plate
General technical data	
product function EMERGENCY OFF function	No
Substance Prohibitation (Date)	07/01/2006
Enclosure	
material of the enclosure	metal
Installation/ mounting/ dimensions	
height	92 mm
width	70 mm
depth	85 mm

Approvals Certificates		
General Product Approval	Declaration of Conformity	Marine / Shipping

[Confirmation](#)



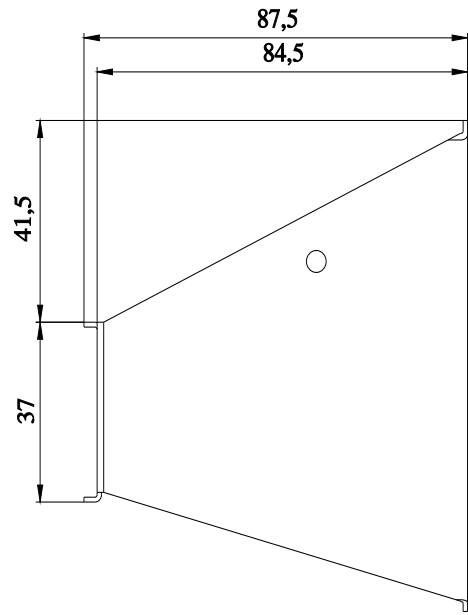
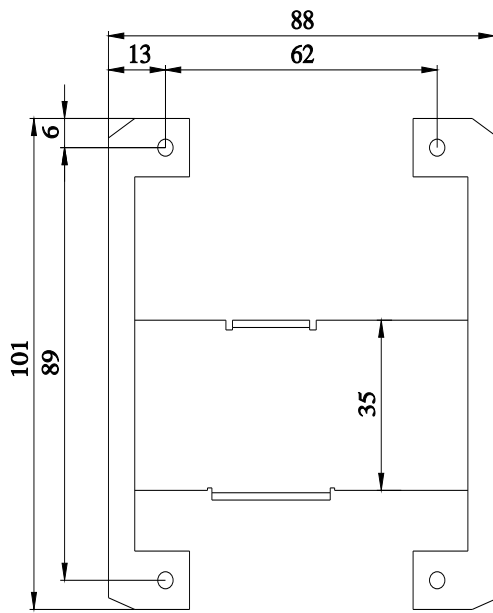
other

[Confirmation](#)



Further information

Siemens has decided to exit the Russian market (see here).
<https://press.siemens.com/global/en/pressrelease/siemens-wind-down-russian-business>
 Siemens is working on the renewal of the current EAC certificates.
 Please contact your local Siemens office on the status of validity of the EAC certification if you intend to import or offer to supply these products to an EAC relevant market (other than the sanctioned EAEU member states Russia or Belarus).
Information on the packaging
<https://support.industry.siemens.com/cs/ww/en/view/109813875>
Information- and Downloadcenter (Catalogs, Brochures,...)
<https://www.siemens.com/ic10>
Industry Mall (Online ordering system)
<https://mall.industry.siemens.com/mall/en/en/Catalog/product?mlfb=3RV1923-4G>
Cax online generator
<https://support.automation.siemens.com/WW/CAXorder/default.aspx?lang=en&mlfb=3RV1923-4G>
Service&Support (Manuals, Certificates, Characteristics, FAQs,...)
<https://support.industry.siemens.com/cs/ww/en/ps/3RV1923-4G>
Image database (product images, 2D dimension drawings, 3D models, device circuit diagrams, EPLAN macros, ...)
http://www.automation.siemens.com/bilddb/cax_de.aspx?mlfb=3RV1923-4G&lang=en



last modified:

12/23/2020 