



Contact block, 1 NC, flat connector terminal

<b>product brand name</b>	SIRIUS
<b>product designation</b>	contact block
<b>product type designation</b>	3SB2
<b>Contact block/ lampholder</b>	
<b>number of lampholders</b>	0
<b>General technical data</b>	
<b>product function positive opening</b>	Yes
<b>suitability for integration</b>	pushbutton / selector button
<b>type of voltage</b>	
• of the operating voltage	AC/DC
<b>protection class IP</b>	
• of the enclosure	IP40
• of the terminal	IP00
<b>vibration resistance according to IEC 60068-2-6</b>	20 ... 200 Hz: 5g
<b>reference code according to IEC 81346-2</b>	S
<b>Substance Prohibitance (Date)</b>	07/01/2006
<b>operating voltage</b>	
• at AC	
— at 50 Hz rated value	5 ... 230 V
— at 60 Hz rated value	5 ... 230 V
• at DC rated value	5 ... 230 V
<b>Auxiliary circuit</b>	
<b>number of NC contacts for auxiliary contacts</b>	1
<b>number of NO contacts for auxiliary contacts</b>	0
<b>number of CO contacts for auxiliary contacts</b>	0
<b>operational current at AC-12</b>	
• at 24 V rated value	10 A
• at 60 V rated value	10 A
• at 110 V rated value	10 A
• at 230 V rated value	10 A
<b>operational current at AC-15</b>	
• at 24 V rated value	4 A
• at 110 V rated value	4 A
• at 230 V rated value	4 A
<b>operational current at DC-12</b>	
• at 24 V rated value	6 A
• at 60 V rated value	5 A
• at 110 V rated value	2.5 A
• at 230 V rated value	1 A
<b>operational current at DC-13</b>	

- at 24 V rated value
- at 60 V rated value
- at 110 V rated value
- at 230 V rated value

3 A  
1.2 A  
0.7 A  
0.3 A

#### Connections/ Terminals

**type of electrical connection** tab terminals

#### Ambient conditions

##### ambient temperature

- during operation -25 ... +70 °C
- during storage -40 ... +80 °C

#### Installation/ mounting/ dimensions

**fastening method** clip-on  
**height** 19 mm  
**width** 8 mm  
**depth** 31 mm

#### Certificates/ approvals

General Product Approval

Declaration of Con-  
formity



KC



Declaration of Con-  
formity

other



EG-Konf.

[Confirmation](#)

#### Further information

Siemens has decided to exit the Russian market (see here).  
<https://press.siemens.com/global/en/pressrelease/siemens-wind-down-russian-business>

Siemens is working on the renewal of the current EAC certificates.

Please contact your local Siemens office on the status of validity of the EAC certification if you intend to import or offer to supply these products to an EAC relevant market (other than the sanctioned EAEU member states Russia or Belarus).

Information on the packaging

<https://support.industry.siemens.com/cs/ww/en/view/109813875>

Information- and Downloadcenter (Catalogs, Brochures,...)

<https://www.siemens.com/ic10>

Industry Mall (Online ordering system)

<https://mall.industry.siemens.com/mall/en/en/Catalog/product?mlfb=3SB2404-0C>

Cax online generator

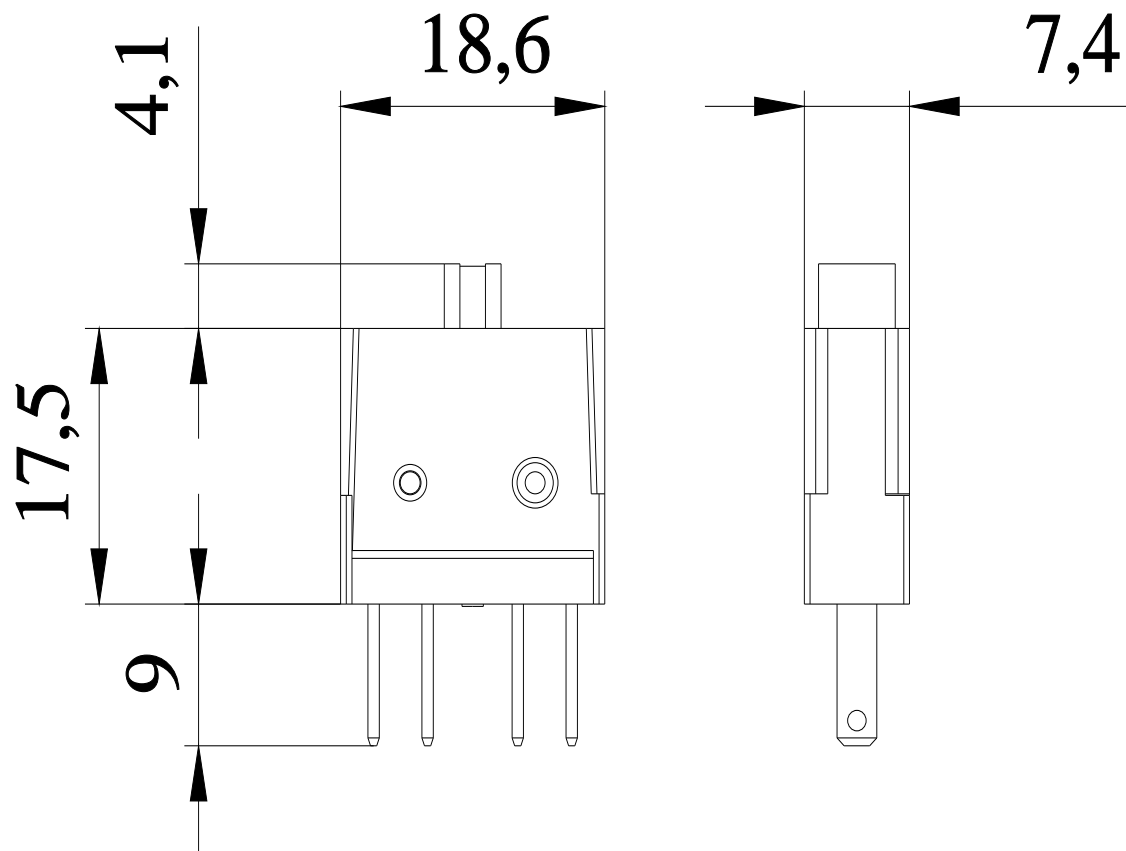
<http://support.automation.siemens.com/WW/CAXorder/default.aspx?lang=en&mlfb=3SB2404-0C>

Service&Support (Manuals, Certificates, Characteristics, FAQs,...)

<https://support.industry.siemens.com/cs/ww/en/ps/3SB2404-0C>

Image database (product images, 2D dimension drawings, 3D models, device circuit diagrams, EPLAN macros, ...)

[http://www.automation.siemens.com/bilddb/cax\\_de.aspx?mlfb=3SB2404-0C&lang=en](http://www.automation.siemens.com/bilddb/cax_de.aspx?mlfb=3SB2404-0C&lang=en)



last modified:

12/21/2020 