



Basic switch without actuator head Metal enclosure, 56 mm wide ASIsafe integrated AS-i status: 1:F-IN1, 2: F-IN2 3:AS-i/FAULT Snap-action contacts 1 NC with M12 connector 4-pole Channel 1 to NC, Channel 2 to M12 socket on the right

product brand name	SIRIUS
product designation	Mechanical safety switches
product type designation	3SF11
manufacturer's article number	
• of the supplied basic switch	3SF1124-1LA00-1BA2
suitability for use safety switch	Yes
General technical data	
product function positive opening	Yes
insulation voltage rated value	30 V
degree of pollution	class 3
surge voltage resistance rated value	0.8 kV
protection class IP	IP66/IP67
shock resistance according to IEC 60068-2-27	30g / 11 ms
vibration resistance according to IEC 60068-2-6	0.35 mm/5g
mechanical service life (operating cycles) typical	15 000 000
reference code according to IEC 81346-2	B
active principle	mechanical
repeat accuracy	0.1 mm
Substance Prohibittance (Date)	03/01/2017
AS-Interface slave profile	0.B.F
ID1 code	F (hex, variable 0...F)
length of the sensor	99.7 mm
width of the sensor	56 mm
Ambient conditions	
ambient temperature	
• during operation	-25 ... +60 °C
• during storage	-40 ... +80 °C
design of the switching contact	mechanical
number of NC contacts for auxiliary contacts	2
number of NO contacts for auxiliary contacts	0
Enclosure	
design of the housing	block, wide
material of the enclosure	metal
coating of the enclosure	cathodic dip coating
design of the housing according to standard	No
Drive Head	
design of the switching function	positive opening
circuit principle	snap-action contacts
number of switching contacts safety-related	1
design of plug-in connection	M12 plug, 4-pole: Pin 1 = ASI+ , Pin 2 = not assigned, Pin 3= ASI-, Pin 4 = not

	assigned		
Installation/ mounting/ dimensions			
mounting position	any		
fastening method	screw fixing		
Connections/ Terminals			
type of electrical connection	plug M12		
Supply voltage			
type of voltage of the supply voltage of the optional LED display	DC		
supply voltage			
• of LED	24 V		
design of the interface for safety-related communication	ASIsafe via M12 plug, channel 2 looped through to M12 socket on the right		
Certificates/ approvals			
General Product Approval	Declaration of Conformity	Test Certificates	other



[Type Test Certificates/Test Report](#)

[Confirmation](#)

other

[Miscellaneous](#)

Further information

Siemens has decided to exit the Russian market (see here).

<https://press.siemens.com/global/en/pressrelease/siemens-wind-down-russian-business>

Siemens is working on the renewal of the current EAC certificates.

Please contact your local Siemens office on the status of validity of the EAC certification if you intend to import or offer to supply these products to an EAC relevant market (other than the sanctioned EAEU member states Russia or Belarus).

Information on the packaging

<https://support.industry.siemens.com/cs/ww/en/view/109813875>

Information- and Downloadcenter (Catalogs, Brochures,...)

<https://www.siemens.com/ic10>

Industry Mall (Online ordering system)

<https://mall.industry.siemens.com/mall/en/en/Catalog/product?mlfb=3SF1124-1LA00-1BA2>

Cax online generator

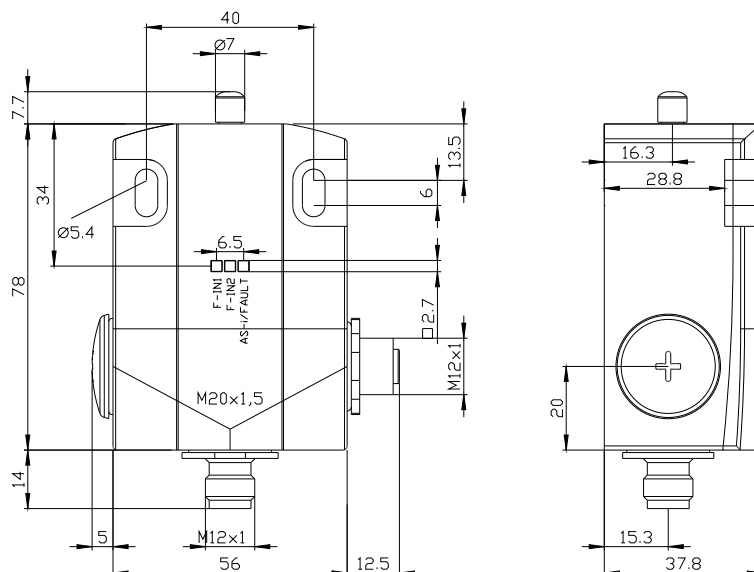
<http://support.automation.siemens.com/WW/CAXorder/default.aspx?lang=en&mlfb=3SF1124-1LA00-1BA2>

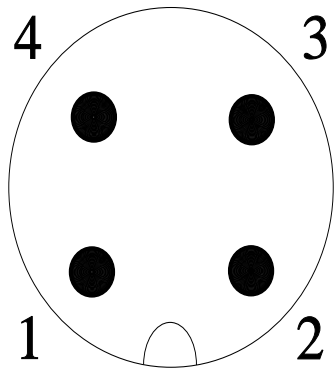
Service&Support (Manuals, Certificates, Characteristics, FAQs,...)

<https://support.industry.siemens.com/cs/ww/en/ps/3SF1124-1LA00-1BA2>

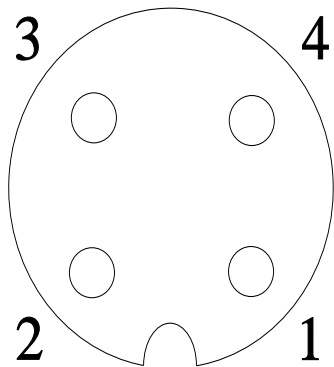
Image database (product images, 2D dimension drawings, 3D models, device circuit diagrams, EPLAN macros, ...)

http://www.automation.siemens.com/bilddb/cax_de.aspx?mlfb=3SF1124-1LA00-1BA2&lang=en





1	→	ASI +
2	→	n. c.
3	→	ASI -
4	→	n. c.



1	→	Ch 2
2	→	Ch 2
3	→	n. c.
4	→	n. c.

last modified:

1/26/2022