



key-operated switch Siemens, 22 mm, round, metal, shiny, lock number SSG10, with 2 keys, 2 switch positions O<I, momentary contact type, actuating angle 45°, 10:30h/12h, key removal O

| | |
|---|---|
| product brand name | SIRIUS ACT |
| product designation | Key-operated switches |
| design of the product | Actuating/signaling element |
| product type designation | 3SU1 |
| product line | Metal, shiny, 22 mm |
| manufacturer's article number of included key | 3SU1950-0FP80-0AA0 |
| Actuator | |
| principle of operation of the actuating element | momentary contact, 45° (10:30 h/12 h), return from center to left |
| product extension optional light source | No |
| color | |
| • of the actuating element | silver |
| material of the actuating element | metal |
| shape of the actuating element | Key |
| outer diameter of the actuating element | 29.5 mm |
| number of switching positions | 2 |
| switch position for key distraction | O |
| actuating angle | |
| • clockwise | 45° |
| lock make | Siemens |
| key number | SSG10 |
| Front ring | |
| product component front ring | Yes |
| design of the front ring | Standard |
| material of the front ring | Metal, high gloss |
| color of the front ring | silver |
| General technical data | |
| protection class IP | IP66, IP67, IP69(IP69K) |
| • of the terminal | IP20 |
| degree of protection NEMA rating | 1, 2, 3, 3R, 4, 4X, 12, 13 |
| shock resistance | |
| • according to IEC 60068-2-27 | sinusoidal half-wave 15g / 11 ms |
| vibration resistance | |
| • according to IEC 60068-2-6 | 10 ... 500 Hz: 5g |
| operating frequency maximum | 1 800 1/h |
| mechanical service life (operating cycles) typical | 300 000 |
| reference code according to IEC 81346-2 | S |
| Substance Prohibitance (Date) | 10/01/2014 |
| Safety related data | |
| B10 value with high demand rate according to SN 31920 | 500 000 |
| proportion of dangerous failures | |

| | |
|---|---------|
| • with low demand rate according to SN 31920 | 20 % |
| • with high demand rate according to SN 31920 | 20 % |
| failure rate [FIT] with low demand rate according to SN 31920 | 100 FIT |

Ambient conditions

| | |
|--|--|
| ambient temperature | |
| • during operation | -25 ... +70 °C |
| • during storage | -40 ... +80 °C |
| environmental category during operation according to IEC 60721 | 3M6, 3S2, 3B2, 3C3, 3K6 (with relative air humidity of 10 ... 95%) |

Installation/ mounting/ dimensions

| | |
|---|---------|
| height | 29.5 mm |
| width | 29.5 mm |
| shape of the installation opening | round |
| mounting diameter | 22.3 mm |
| positive tolerance of installation diameter | 0.4 mm |
| mounting height | 61 mm |
| installation width | 29.5 mm |
| installation depth | 25.4 mm |

Certificates/ approvals

| General Product Approval | Declaration of Conformity |
|--|---|
|  Confirmation |     |

Test Certificates

| Test Certificates | Marine / Shipping |
|--|---|
| Special Test Certificate | Type Test Certificates/Test Report |
| |     |

other

| Environment |
|---|
| Confirmation |
| Environmental Confirmations |

Further information

Siemens has decided to exit the Russian market (see here).
<https://press.siemens.com/global/en/pressrelease/siemens-wind-down-russian-business>

Siemens is working on the renewal of the current EAC certificates.
Please contact your local Siemens office on the status of validity of the EAC certification if you intend to import or offer to supply these products to an EAC relevant market (other than the sanctioned EAEU member states Russia or Belarus).

Information on the packaging
<https://support.industry.siemens.com/cs/ww/en/view/109813875>

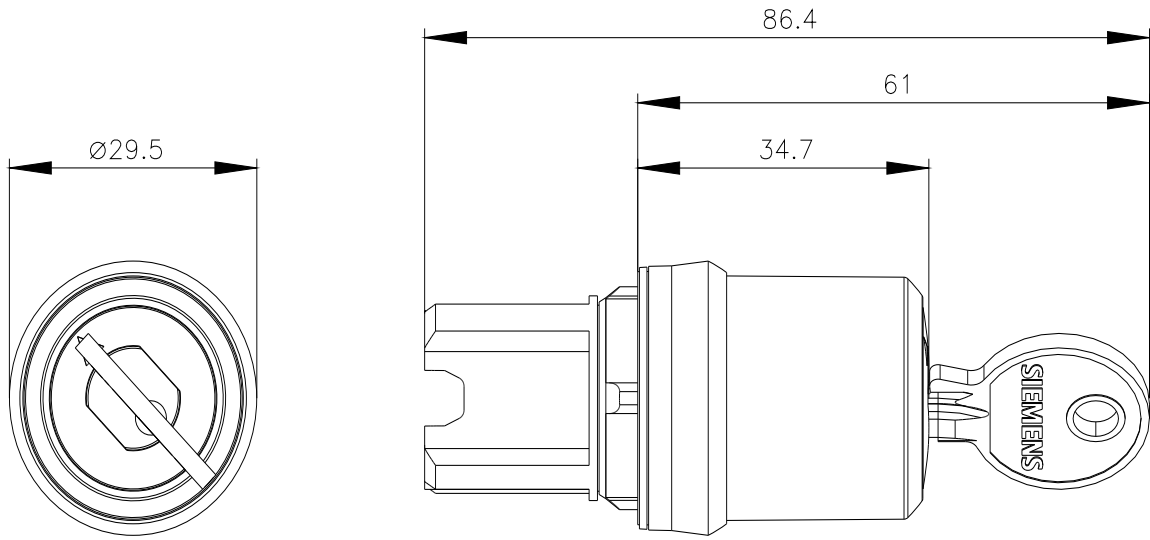
Information- and Downloadcenter (Catalogs, Brochures,...)
<https://www.siemens.com/ic10>

Industry Mall (Online ordering system)
<https://mall.industry.siemens.com/mall/en/en/Catalog/product?mlfb=3SU1050-5BC01-0AA0>

Cax online generator
<http://support.automation.siemens.com/WW/CAXorder/default.aspx?lang=en&mlfb=3SU1050-5BC01-0AA0>

Service&Support (Manuals, Certificates, Characteristics, FAQs,...)
<https://support.industry.siemens.com/cs/ww/en/ps/3SU1050-5BC01-0AA0>

Image database (product images, 2D dimension drawings, 3D models, device circuit diagrams, EPLAN macros, ...)
http://www.automation.siemens.com/bilddb/cax_de.aspx?mlfb=3SU1050-5BC01-0AA0&lang=en



last modified:

1/26/2022 