



Figure similar

Selector switch, 16 mm, round, plastic, black, 2 switch positions O-I, latching, actuating angle 90 degree

product brand name	SIRIUS
product designation	Selector switches
design of the product	Single device round
product type designation	3SB2
Enclosure	
number of command points	1
Actuator	
design of the actuating element	selector switch
principle of operation of the actuating element	latching
product extension optional light source	No
color of the actuating element	black
material of the actuating element	plastic
outer diameter of the actuating element	19 mm
type of unlocking device	rotate-to-unlatch mechanism
number of switching positions	2
actuating angle	
• clockwise	90°
Front ring	
product component front ring	Yes
design of the front ring	Standard
material of the front ring	plastic
color of the front ring	black
Holder	
material of the holder	Plastic
General technical data	
product function	
• EMERGENCY OFF function	No
• EMERGENCY STOP function	No
protection class IP	IP65
vibration resistance according to IEC 60068-2-6	20 ... 200 Hz: 5g
operating frequency maximum	1 000 1/h
mechanical service life (operating cycles) typical	300 000
reference code according to IEC 81346-2	S
Substance Prohibitance (Date)	07/01/2006
Connections/ Terminals	
tightening torque of the screws in the bracket	0.4 N·m
Ambient conditions	
ambient temperature	
• during operation	-25 ... +70 °C

• during storage	-40 ... +80 °C
environmental category during operation according to IEC 60721	3K6

Installation/ mounting/ dimensions

fastening method	front plate mounting
shape of the installation opening	round
mounting diameter	16 mm
mounting height	17 mm
installation width	19 mm
installation depth	50 mm

Certificates/ approvals

General Product Approval	Declaration of Conformity	Test Certificates
--------------------------	---------------------------	-------------------



[Miscellaneous](#)

Test Certificates	other
-------------------	-------

[Special Test Certificate](#)

[Type Test Certificates/Test Report](#)

[Confirmation](#)

Further information

Siemens has decided to exit the Russian market (see here).
<https://press.siemens.com/global/en/pressrelease/siemens-wind-down-russian-business>

Siemens is working on the renewal of the current EAC certificates.

Please contact your local Siemens office on the status of validity of the EAC certification if you intend to import or offer to supply these products to an EAC relevant market (other than the sanctioned EAEU member states Russia or Belarus).

Information on the packaging

<https://support.industry.siemens.com/cs/ww/en/view/109813875>

Information- and Downloadcenter (Catalogs, Brochures,...)

<https://www.siemens.com/ic10>

Industry Mall (Online ordering system)

<https://mall.industry.siemens.com/mall/en/en/Catalog/product?mlfb=3SB2000-2HB01>

Cax online generator

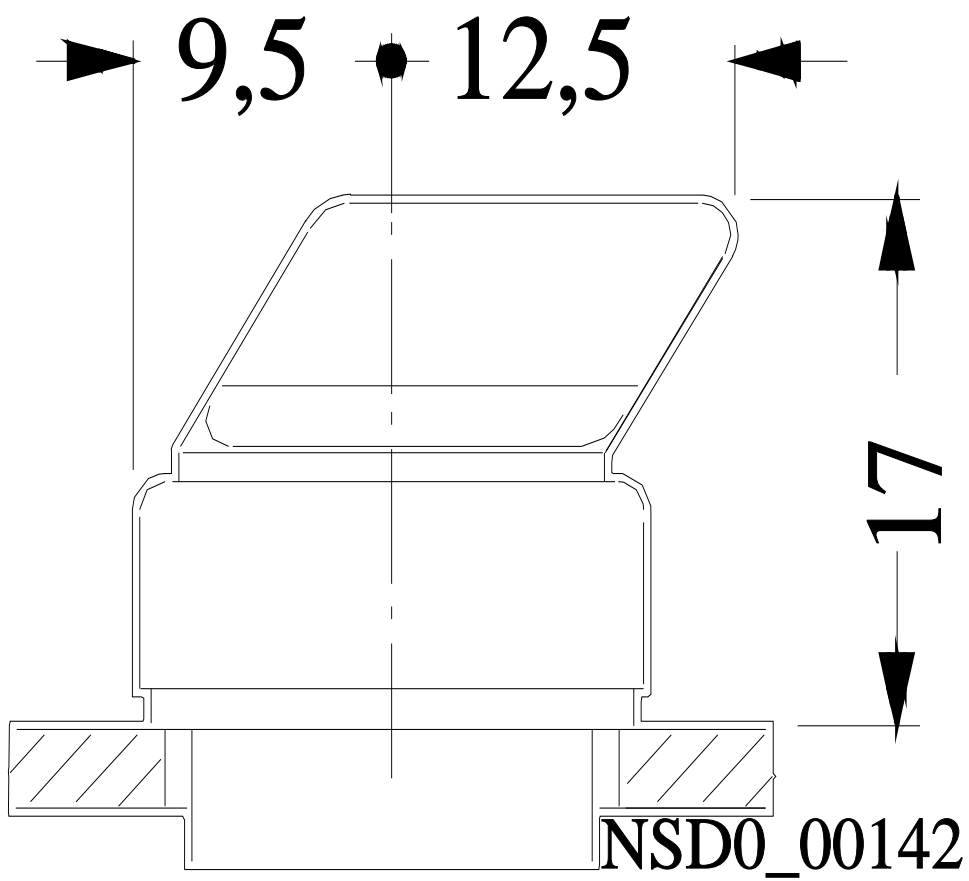
<http://support.automation.siemens.com/WWW/CAXorder/default.aspx?lang=en&mlfb=3SB2000-2HB01>

Service&Support (Manuals, Certificates, Characteristics, FAQs,...)

<https://support.industry.siemens.com/cs/ww/en/ps/3SB2000-2HB01>

Image database (product images, 2D dimension drawings, 3D models, device circuit diagrams, EPLAN macros, ...)

http://www.automation.siemens.com/bilddb/cax_de.aspx?mlfb=3SB2000-2HB01&lang=en



last modified:

1/26/2022 