



Figure similar

door-coupling rotary operating mechanism for circuit breaker size S3 handle gray
 !!! product phase-out !!! SIRIUS 3RV2 is successor preferred successor type is
 >>3RV2946-2B<< drilling pattern changes

product brand name	SIRIUS	
product designation	door-coupling rotary operating mechanism for heavy-duty operating conditions	
design of the product	standard	
suitability for use	circuit-breakers S3	
General technical data		
size of the circuit-breaker	S3	
product feature can be locked into OFF position	Yes	
operating frequency maximum	15 1/h	
certificate of suitability	CE / UL / CSA	
Substance Prohibitation (Date)	07/01/2006	
Ambient conditions		
ambient temperature		
• during operation	-20 ... +70 °C	
• during storage	-50 ... +80 °C	
Actuator		
product feature interlock	Yes	
color of the actuating element	gray	
Installation/ mounting/ dimensions		
mounting position	any	
fastening method	screw fixing	
height	75 mm	
width	75 mm	
depth	78 mm	
length	300 mm	
diameter	40 mm	
required spacing		
• for grounded parts		
— forwards	0 mm	
— backwards	0 mm	
— upwards	0 mm	
— at the side	0 mm	
— downwards	0 mm	
Approvals Certificates		
General Product Approval	Declaration of Conformity	Marine / Shipping

[Confirmation](#)





[Confirmation](#)



Further information

Siemens has decided to exit the Russian market (see here).

<https://press.siemens.com/global/en/pressrelease/siemens-wind-down-russian-business>

Siemens is working on the renewal of the current EAC certificates.

Please contact your local Siemens office on the status of validity of the EAC certification if you intend to import or offer to supply these products to an EAC relevant market (other than the sanctioned EAEU member states Russia or Belarus).

Information on the packaging

<https://support.industry.siemens.com/cs/ww/en/view/109813875>

Information- and Downloadcenter (Catalogs, Brochures,...)

<https://www.siemens.com/ic10>

Industry Mall (Online ordering system)

<https://mall.industry.siemens.com/mall/en/en/Catalog/product?mlfb=3RV1946-2B>

Cax online generator

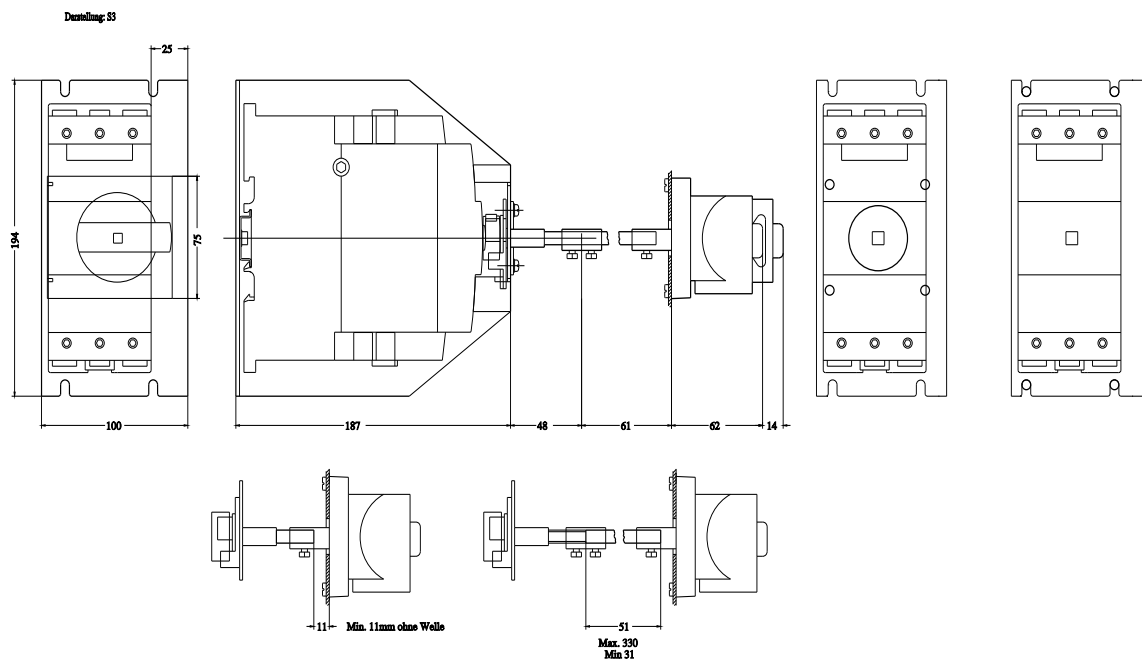
<http://support.automation.siemens.com/WW/CAXorder/default.aspx?lang=en&mlfb=3RV1946-2B>

Service&Support (Manuals, Certificates, Characteristics, FAQs,...)

<https://support.industry.siemens.com/cs/ww/en/ps/3RV1946-2B>

Image database (product images, 2D dimension drawings, 3D models, device circuit diagrams, EPLAN macros, ...)

http://www.automation.siemens.com/bilddb/cax_de.aspx?mlfb=3RV1946-2B&lang=en



last modified:

12/23/2020