



Figure similar

Selector switch, 16 mm, round, plastic, black, 2 switch positions O<I, momentary contact type, retraction from right, actuating angle 50 degree

<b>product brand name</b>	SIRIUS
<b>product designation</b>	Selector switches
<b>design of the product</b>	Single device round
<b>product type designation</b>	3SB2
<b>Enclosure</b>	
<b>number of command points</b>	1
<b>Actuator</b>	
<b>design of the actuating element</b>	selector switch
<b>principle of operation of the actuating element</b>	momentary contact type
product extension optional light source	No
color of the actuating element	black
<b>material of the actuating element</b>	plastic
<b>outer diameter of the actuating element</b>	19 mm
<b>type of unlocking device</b>	without
<b>number of switching positions</b>	2
<b>actuating angle</b>	
• clockwise	50°
<b>Front ring</b>	
<b>product component front ring</b>	Yes
<b>design of the front ring</b>	Standard
<b>material of the front ring</b>	plastic
<b>color of the front ring</b>	black
<b>Holder</b>	
<b>material of the holder</b>	Plastic
<b>General technical data</b>	
<b>product function</b>	
• EMERGENCY OFF function	No
• EMERGENCY STOP function	No
<b>protection class IP</b>	IP65
<b>vibration resistance according to IEC 60068-2-6</b>	20 ... 200 Hz: 5g
<b>operating frequency maximum</b>	1 000 1/h
<b>mechanical service life (operating cycles) typical</b>	300 000
<b>reference code according to IEC 81346-2</b>	S
<b>Substance Prohibitance (Date)</b>	07/01/2006
<b>Connections/ Terminals</b>	
<b>tightening torque of the screws in the bracket</b>	0.4 N·m
<b>Ambient conditions</b>	
<b>ambient temperature</b>	
• during operation	-25 ... +70 °C

• during storage	-40 ... +80 °C
environmental category during operation according to IEC 60721	3K6

#### Installation/ mounting/ dimensions

fastening method	front plate mounting
shape of the installation opening	round
mounting diameter	16 mm
mounting height	17 mm
installation width	19 mm
installation depth	50 mm

#### Certificates/ approvals

General Product Approval	Declaration of Conformity	Test Certificates
--------------------------	---------------------------	-------------------



[Miscellaneous](#)

Test Certificates	other
-------------------	-------

[Type Test Certificates/Test Report](#)

[Special Test Certificate](#)

[Confirmation](#)

#### Further information

**Siemens has decided to exit the Russian market (see here).**

<https://press.siemens.com/global/en/pressrelease/siemens-wind-down-russian-business>

**Siemens is working on the renewal of the current EAC certificates.**

Please contact your local Siemens office on the status of validity of the EAC certification if you intend to import or offer to supply these products to an EAC relevant market (other than the sanctioned EAEU member states Russia or Belarus).

**Information on the packaging**

<https://support.industry.siemens.com/cs/ww/en/view/109813875>

**Information- and Downloadcenter (Catalogs, Brochures,...)**

<https://www.siemens.com/ic10>

**Industry Mall (Online ordering system)**

<https://mall.industry.siemens.com/mall/en/en/Catalog/product?mlfb=3SB2000-2BB01>

**Cax online generator**

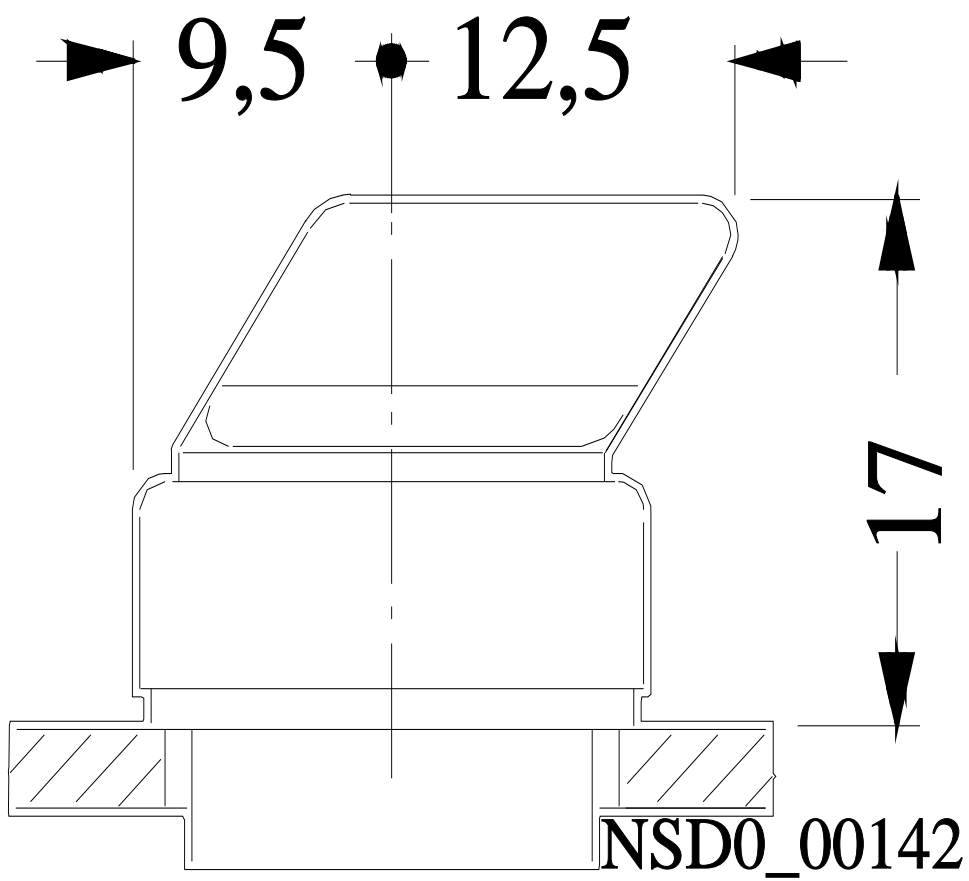
<http://support.automation.siemens.com/WWW/CAXorder/default.aspx?lang=en&mlfb=3SB2000-2BB01>

**Service&Support (Manuals, Certificates, Characteristics, FAQs,...)**

<https://support.industry.siemens.com/cs/ww/en/ps/3SB2000-2BB01>

**Image database (product images, 2D dimension drawings, 3D models, device circuit diagrams, EPLAN macros, ...)**

[http://www.automation.siemens.com/bilddb/cax\\_de.aspx?mlfb=3SB2000-2BB01&lang=en](http://www.automation.siemens.com/bilddb/cax_de.aspx?mlfb=3SB2000-2BB01&lang=en)



last modified:

1/26/2022 