



Selector switch, 16 mm, round, plastic, red, 3 switch positions I-O-II, latching, Actuating angle 2 x 62 degree

Figure similar

|   |                             |
|---|-----------------------------|
| <b>product brand name</b>                                 | SIRIUS                      |
| <b>product designation</b>                                | Selector switches           |
| <b>design of the product</b>                              | Single device round         |
| <b>product type designation</b>                           | 3SB2                        |
| <b>Enclosure</b>  |                             |
| <b>number of command points</b>                           | 1                           |
| <b>Actuator</b>   |                             |
| <b>design of the actuating element</b>                    | selector switch             |
| <b>principle of operation of the actuating element</b>    | latching                    |
| product extension optional light source                   | No                          |
| color of the actuating element                            | red                         |
| <b>material of the actuating element</b>                  | plastic                     |
| <b>outer diameter of the actuating element</b>            | 19 mm                       |
| <b>type of unlocking device</b>                           | rotate-to-unlatch mechanism |
| <b>number of switching positions</b>                      | 3                           |
| <b>actuating angle</b>                                    |                             |
| • clockwise   | 62°                         |
| • anticlockwise   | 62°                         |
| <b>Front ring</b>   |                             |
| <b>product component front ring</b>                       | Yes                         |
| <b>design of the front ring</b>                           | Standard                    |
| <b>material of the front ring</b>                         | plastic                     |
| <b>color of the front ring</b>                            | black                       |
| <b>Holder</b>   |                             |
| <b>material of the holder</b>                             | Plastic                     |
| <b>General technical data</b>                             |                             |
| <b>product function</b>                                   |                             |
| • EMERGENCY OFF function                                  | No                          |
| • EMERGENCY STOP function                                 | No                          |
| <b>protection class IP</b>                                | IP65                        |
| <b>vibration resistance according to IEC 60068-2-6</b>    | 20 ... 200 Hz: 5g           |
| <b>operating frequency maximum</b>                        | 1 000 1/h                   |
| <b>mechanical service life (operating cycles) typical</b> | 300 000                     |
| <b>reference code according to IEC 81346-2</b>            | S                           |
| <b>Substance Prohibitance (Date)</b>                      | 07/01/2006                  |
| <b>Connections/ Terminals</b>                             |                             |
| <b>tightening torque of the screws in the bracket</b>     | 0.4 N·m                     |
| <b>Ambient conditions</b>                                 |                             |
| <b>ambient temperature</b>                                |                             |

- during operation
- during storage

-25 ... +70 °C  
-40 ... +80 °C

environmental category during operation according to IEC 60721

3K6

#### Installation/ mounting/ dimensions

|                                   |                      |
|-----------------------------------|----------------------|
| fastening method                  | front plate mounting |
| shape of the installation opening | round                |
| mounting diameter                 | 16 mm                |
| mounting height                   | 17 mm                |
| installation width                | 19 mm                |
| installation depth                | 50 mm                |

#### Certificates/ approvals

General Product Approval

Declaration of Conformity

Test Certificates



[Type Test Certificates/Test Report](#)

Test Certificates

other

[Special Test Certificate](#)

[Miscellaneous](#)

[Confirmation](#)

#### Further information

**Siemens has decided to exit the Russian market (see here).**

<https://press.siemens.com/global/en/pressrelease/siemens-wind-down-russian-business>

**Siemens is working on the renewal of the current EAC certificates.**

Please contact your local Siemens office on the status of validity of the EAC certification if you intend to import or offer to supply these products to an EAC relevant market (other than the sanctioned EAEU member states Russia or Belarus).

**Information on the packaging**

<https://support.industry.siemens.com/cs/ww/en/view/109813875>

**Information- and Downloadcenter (Catalogs, Brochures,...)**

<https://www.siemens.com/ic10>

**Industry Mall (Online ordering system)**

<https://mall.industry.siemens.com/mall/en/en/Catalog/product?mlfb=3SB2000-2DC01>

**Cax online generator**

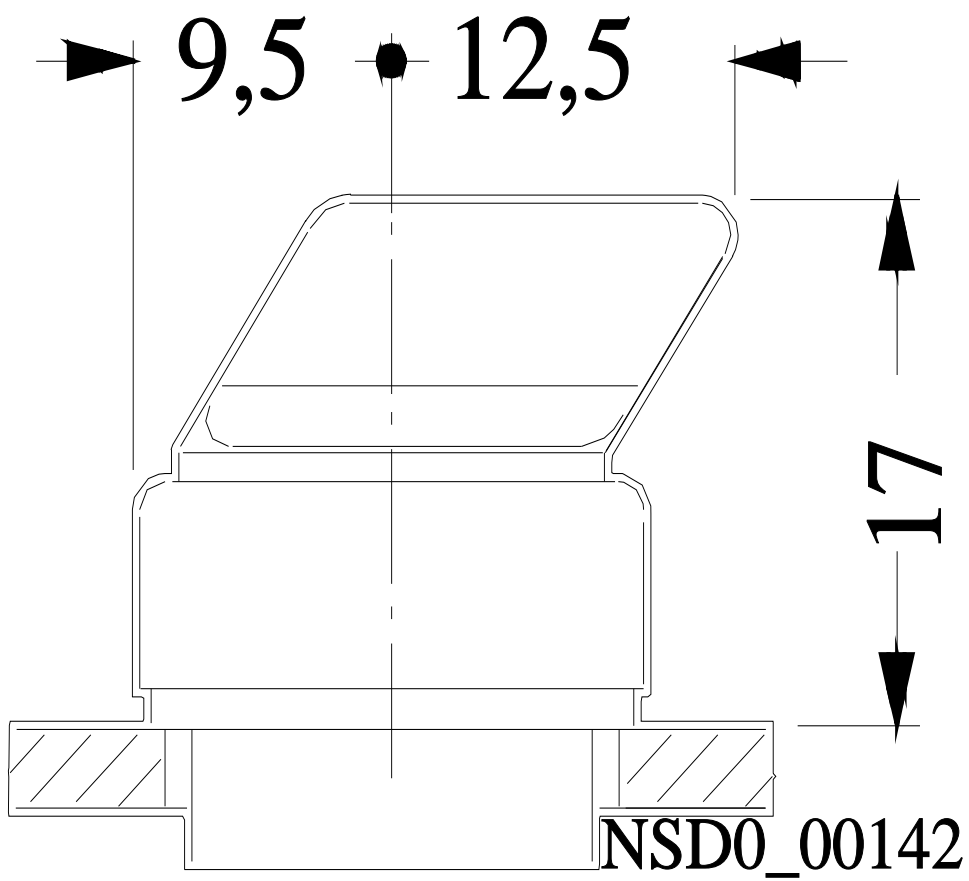
<http://support.automation.siemens.com/WWW/CAXorder/default.aspx?lang=en&mlfb=3SB2000-2DC01>

**Service&Support (Manuals, Certificates, Characteristics, FAQs,...)**

<https://support.industry.siemens.com/cs/ww/en/ps/3SB2000-2DC01>

**Image database (product images, 2D dimension drawings, 3D models, device circuit diagrams, EPLAN macros, ...)**

[http://www.automation.siemens.com/bilddb/cax\\_de.aspx?mlfb=3SB2000-2DC01&lang=en](http://www.automation.siemens.com/bilddb/cax_de.aspx?mlfb=3SB2000-2DC01&lang=en)



last modified:

1/26/2022 