



Contact module with 2 contact elements, 1 NO+1 NC, gold-plated contacts, screw terminal, for front plate mounting

| | |
|---|--|
| product brand name | SIRIUS ACT |
| product designation | Contact module |
| product type designation | 3SU1 |
| General technical data | |
| product function positive opening | Yes |
| insulation voltage rated value | 500 V |
| degree of pollution | 3 |
| type of voltage | |
| • of the operating voltage | AC/DC |
| • of the input voltage | AC/DC |
| surge voltage resistance rated value | 6 kV |
| protection class IP | |
| • of the enclosure | IP40 |
| • of the terminal | IP20, clamping screw tightened |
| shock resistance | |
| • acc. to IEC 60068-2-27 | sinusoidal half-wave 50g / 11 ms |
| • for railway applications acc. to DIN EN 61373 | Category 1, Class B |
| vibration resistance | |
| • acc. to IEC 60068-2-6 | 10 ... 500 Hz: 5g |
| • for railway applications acc. to DIN EN 61373 | Category 1, Class B |
| operating frequency maximum | 3 600 1/h |
| mechanical service life (switching cycles) typical | 10 000 000 |
| electrical endurance (switching cycles) typical | 10 000 000 |
| thermal current | 10 A |
| reference code acc. to IEC 81346-2 | S |
| continuous current of the C characteristic MCB | 10 A |
| Substance Prohibitance (Date) | 01.10.2014 00:00:00 |
| operating voltage | |
| • at AC | |
| — at 50 Hz rated value | 5 ... 500 V |
| — at 60 Hz rated value | 5 ... 500 V |
| • at DC rated value | 5 ... 500 V |
| Power Electronics | |
| contact reliability | One maloperation per 100 million (17 V, 5 mA), one maloperation per 10 million (5 V, 1 mA) |
| Auxiliary circuit | |
| design of the contact of auxiliary contacts | Gold-plated |
| number of NC contacts for auxiliary contacts | 1 |

| | |
|---|---|
| • lagging switching | 0 |
| number of NO contacts for auxiliary contacts | 1 |
| • leading contact | 0 |
| operational current at AC-12 | |
| • at 24 V rated value | 10 A |
| • at 48 V rated value | 10 A |
| • at 110 V rated value | 10 A |
| • at 230 V rated value | 8 A |
| • at 400 V rated value | 8 A |
| operational current at AC-15 | |
| • at 24 V rated value | 6 A |
| • at 48 V rated value | 6 A |
| • at 110 V rated value | 6 A |
| • at 230 V rated value | 6 A |
| • at 400 V rated value | 3 A |
| • at 500 V rated value | 1.4 A |
| operational current at DC-12 | |
| • at 24 V rated value | 10 A |
| • at 48 V rated value | 5 A |
| • at 110 V rated value | 2.5 A |
| • at 230 V rated value | 1 A |
| • at 400 V rated value | 0.3 A |
| • at 500 V rated value | 0.3 A |
| operational current at DC-13 | |
| • at 24 V rated value | 3 A |
| • at 48 V rated value | 1.5 A |
| • at 110 V rated value | 0.7 A |
| • at 230 V rated value | 0.3 A |
| • at 400 V rated value | 0.1 A |
| • at 500 V rated value | 0.1 A |
| Connections/ Terminals | |
| type of electrical connection | screw-type terminals |
| type of connectable conductor cross-sections | |
| • solid with core end processing | 2x (0.5 ... 0.75 mm ²) |
| • solid without core end processing | 2x (1.0 ... 1.5 mm ²) |
| • finely stranded with core end processing | 2x (0.5 ... 1.5 mm ²) |
| • finely stranded without core end processing | 2x (1.0 ... 1.5 mm ²) |
| • at AWG cables | 2x (18 ... 14) |
| tightening torque with screw-type terminals | 0.8 ... 0.9 N·m |
| Ambient conditions | |
| ambient temperature | |
| • during operation | -25 ... +70 °C |
| • during storage | -40 ... +80 °C |
| environmental category during operation acc. to IEC 60721 | 3M6, 3S2, 3B2, 3C3 (without salt spray), 3K6 (with relative humidity of 10 ... 95%, no condensation in operation permitted) |
| Installation/ mounting/ dimensions | |
| fastening method | front panel mounting |
| • of modules and accessories | Front plate mounting |
| height | 34 mm |
| width | 9.8 mm |
| depth | 49.7 mm |
| Certificates/ approvals | |
| General Product Approval | Declaration of Conformity |



[KC](#)



[UK Declaration of Conformity](#)

| Declaration of Conformity | Test Certificates | Marine / Shipping |
|---------------------------|-------------------|-------------------|
|---------------------------|-------------------|-------------------|



EG-Konf.

[Special Test Certificate](#)

[Type Test Certificates/Test Report](#)



ABS



LRS



PRS

| Marine / Shipping | other |
|-------------------|-------|
|-------------------|-------|



RINA



RMRS

[Confirmation](#)

Further information

Information- and Downloadcenter (Catalogs, Brochures,...)

<https://www.siemens.com/ic10>

Industry Mall (Online ordering system)

<https://mall.industry.siemens.com/mall/en/en/Catalog/product?mlfb=3SU1400-1AA10-1QA0>

Cax online generator

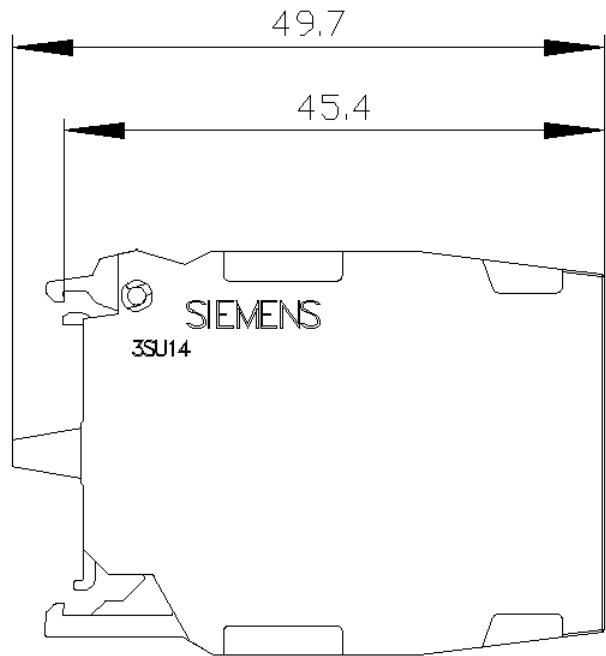
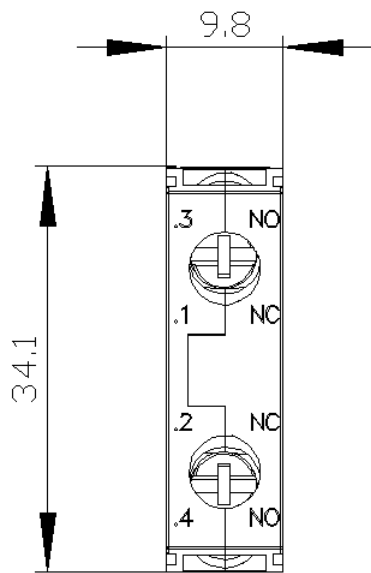
<http://support.automation.siemens.com/WW/CAXorder/default.aspx?lang=en&mlfb=3SU1400-1AA10-1QA0>

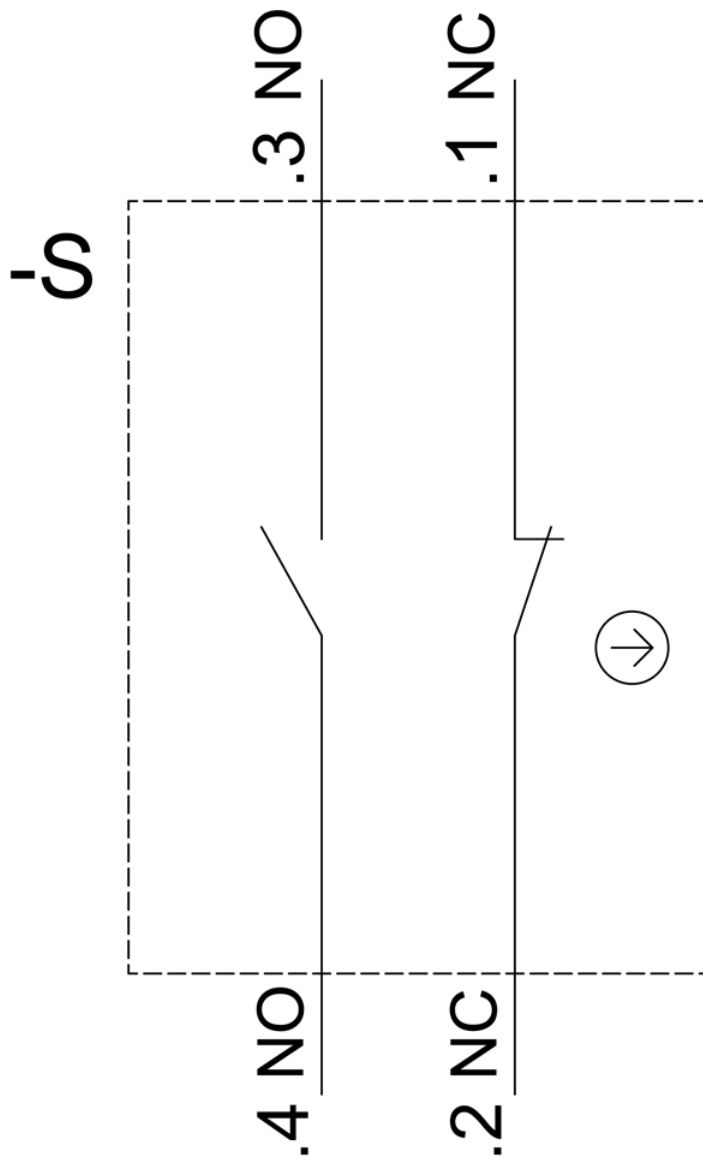
Service&Support (Manuals, Certificates, Characteristics, FAQs,...)

<https://support.industry.siemens.com/cs/ww/en/ps/3SU1400-1AA10-1QA0>

Image database (product images, 2D dimension drawings, 3D models, device circuit diagrams, EPLAN macros, ...)

http://www.automation.siemens.com/bilddb/cax_de.aspx?mlfb=3SU1400-1AA10-1QA0&lang=en





last modified:

7/14/2021 