

Actuator head for position switch 3SE52 Angular roller lever Stainless steel lever with Plastic roller 13 mm functional at -40 °C



product brand name	SIRIUS
product designation	actuator head for position switch
product type designation	3SE5
General technical data	
product function positive opening	Yes
shock resistance	
• acc. to IEC 60068-2-27	30g / 11 ms
• for railway applications acc. to DIN EN 61373	Category 1, Class B
vibration resistance	
• acc. to IEC 60068-2-6	0.35 mm/5g
• for railway applications acc. to DIN EN 61373	Category 1, Class B
mechanical service life (switching cycles) typical	15 000 000
material of the enclosure of the switch head	plastic
reference code acc. to IEC 81346-2	T
active principle	mechanical
minimum actuating force in directions of actuation	10 N
design of the interface for safety-related communication	without
Enclosure	
coating of the enclosure	Other types
Drive Head	
design of the actuating element	Angular roller lever, high-grade steel lever, plastic roller
standard-compliant actuator head	EN 50047
shape of the switch head	roller
outer diameter of the switch head	13 mm
Communication/ Protocol	
design of the interface	without
Ambient conditions	
explosion protection category for dust	none
Installation/ mounting/ dimensions	
mounting position	any
fastening method	lockable plug-in fixing
Certificates/ approvals	
General Product Approval	Declaration of Conformity



[Miscellaneous](#)

Test Certificates

other

[Type Test
Certificates/Test
Report](#)

[Confirmation](#)

Further information

Information- and Downloadcenter (Catalogs, Brochures,...)

<https://www.siemens.com/ic10>

Industry Mall (Online ordering system)

<https://mall.industry.siemens.com/mall/en/en/Catalog/product?mlfb=3SE5000-0AF12-1AJ0>

Cax online generator

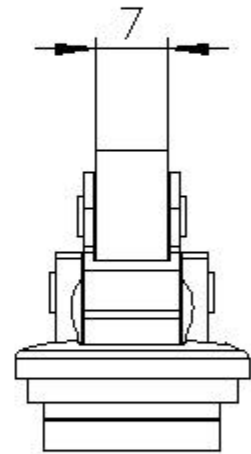
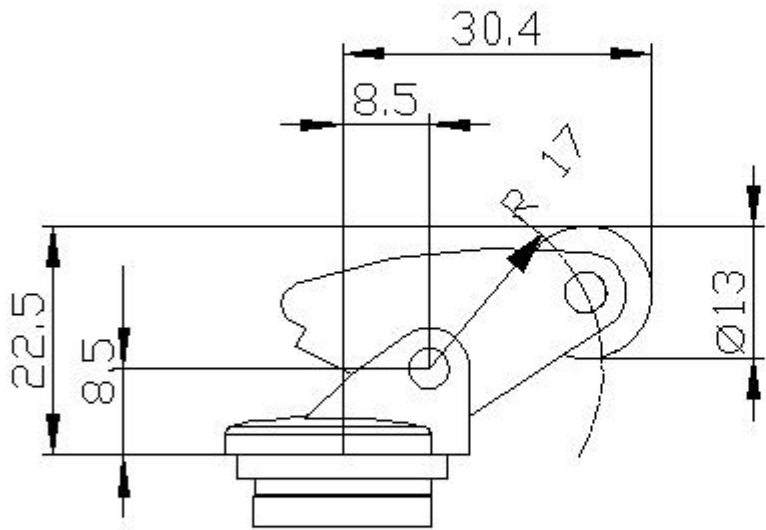
<http://support.automation.siemens.com/WW/CAXorder/default.aspx?lang=en&mlfb=3SE5000-0AF12-1AJ0>

Service&Support (Manuals, Certificates, Characteristics, FAQs,...)

<https://support.industry.siemens.com/cs/ww/en/ps/3SE5000-0AF12-1AJ0>

Image database (product images, 2D dimension drawings, 3D models, device circuit diagrams, EPLAN macros, ...)

http://www.automation.siemens.com/bilddb/cax_de.aspx?mlfb=3SE5000-0AF12-1AJ0&lang=en



last modified:

8/31/2020 