

Silicone-free protective cover for pushbutton flat, 22 mm, clear



product brand name	SIRIUS ACT
product designation	Silicone-free protective cap
design of the product	for pushbuttons, flat
product type designation	3SU1
<b>General technical data</b>	
protection class IP	IP66, IP67
degree of protection NEMA rating	1, 2, 3, 3R, 4, 4X, 12
<b>Ambient conditions</b>	
<ul style="list-style-type: none"> <li>ambient temperature during operation</li> <li>ambient temperature during storage</li> </ul>	-25 ... +70 °C -40 ... +80 °C
<b>Installation/ mounting/ dimensions</b>	
depth	20.9 mm
<b>Accessories</b>	
material of accessory	Plastic
color of accessory	clear
<b>Certificates/ approvals</b>	
General Product Approval	Declaration of Conformity



[Miscellaneous](#)

[Miscellaneous](#)

Test Certificates Marine / Shipping

[Type Test Certificates/Test Report](#)



other

[Confirmation](#)

## Further information

Information- and Downloadcenter (Catalogs, Brochures,...)

<https://www.siemens.com/ic10>

Industry Mall (Online ordering system)

<https://mall.industry.siemens.com/mall/en/en/Catalog/product?mlfb=3SU1900-0ED70-0AA0>

Cax online generator

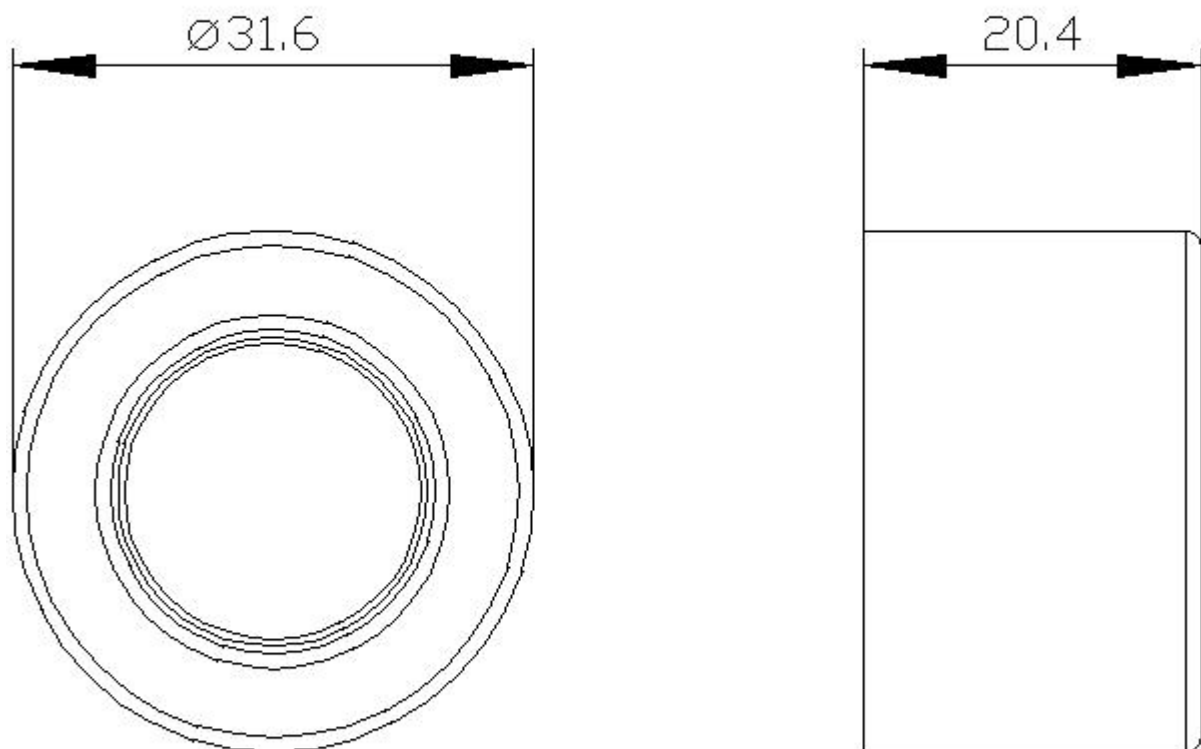
<http://support.automation.siemens.com/WW/CAXorder/default.aspx?lang=en&mlfb=3SU1900-0ED70-0AA0>

Service&Support (Manuals, Certificates, Characteristics, FAQs,...)

<https://support.industry.siemens.com/cs/ww/en/ps/3SU1900-0ED70-0AA0>

Image database (product images, 2D dimension drawings, 3D models, device circuit diagrams, EPLAN macros, ...)

[http://www.automation.siemens.com/bilddb/cax\\_de.aspx?mlfb=3SU1900-0ED70-0AA0&lang=en](http://www.automation.siemens.com/bilddb/cax_de.aspx?mlfb=3SU1900-0ED70-0AA0&lang=en)



last modified:

11/25/2020 