



Memory module for 3RK3, 3SK2 and 3SU1 PROFINET

General technical data		
product brand name		SIRIUS
product category		Further accessories
product designation		Memory module
design of the product		For storage of configuration data for 3RK and 3SK2
reference code acc. to DIN 40719 extended according to IEC 204-2 acc. to IEC 750		A
reference code acc. to DIN EN 61346-2		K

Certificates/ approvals			
General Product Approval	Functional Safety/Safety of Machinery	Test Certificates	other



[Miscellaneous](#)

[Type Test Certificates/Test Report](#)

[Confirmation](#)



### Further information

Information- and Downloadcenter (Catalogs, Brochures,...)

<https://www.siemens.com/ic10>

Industry Mall (Online ordering system)

<https://mall.industry.siemens.com/mall/en/en/Catalog/product?mlfb=3RK3931-0AA00>

Cax online generator

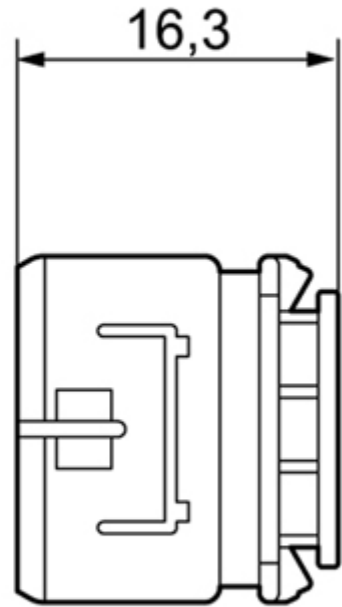
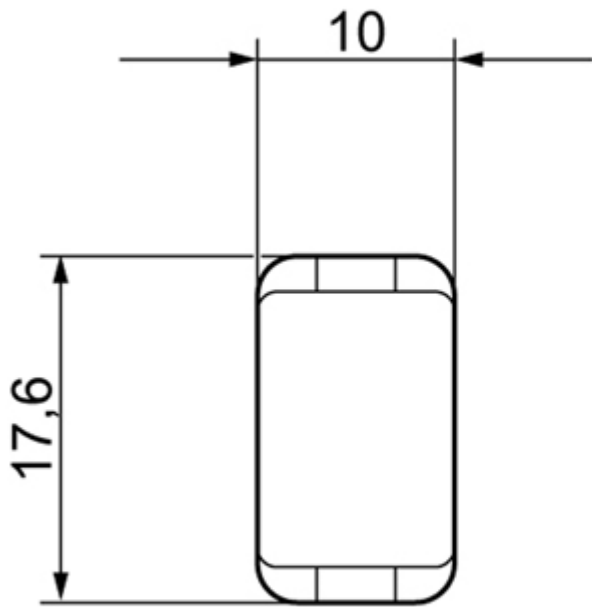
<http://support.automation.siemens.com/WW/CAXorder/default.aspx?lang=en&mlfb=3RK3931-0AA00>

Service&Support (Manuals, Certificates, Characteristics, FAQs,...)

<https://support.industry.siemens.com/cs/ww/en/ps/3RK3931-0AA00>

Image database (product images, 2D dimension drawings, 3D models, device circuit diagrams, EPLAN macros, ...)

[http://www.automation.siemens.com/bilddb/cax\\_de.aspx?mlfb=3RK3931-0AA00&lang=en](http://www.automation.siemens.com/bilddb/cax_de.aspx?mlfb=3RK3931-0AA00&lang=en)



last modified:

12/21/2020 