



Cover yellow for position switch metal 3SE51, Enclosure 56 mm wide

product designation	cover, metal for wide enclosure for position switch, yellow	
General technical data		
degree of pollution	class 3	
protection class IP	IP66/IP67	
shock resistance		
• acc. to IEC 60068-2-27	30g / 11 ms	
vibration resistance acc. to IEC 60068-2-6	0.35 mm/5g	
length of the sensor	78 mm	
width of the sensor	56 mm	
design of the interface for safety-related communication	without	
Enclosure		
design of the housing	block, wide	
coating of the enclosure	cathodic immersion coating	
Drive Head		
design of the actuating element	Other, without, cover	
Communication/ Protocol		
design of the interface	without	
Ambient conditions		
explosion protection category for dust	none	
Installation/ mounting/ dimensions		
mounting position	any	
fastening method	screw fixing	
Certificates/ approvals		
General Product Approval		Functional Safety/Safety of Machinery



[Type Examination Certificate](#)

Declaration of Conformity	Test Certificates	other
---------------------------	-------------------	-------

Further information

Information- and Downloadcenter (Catalogs, Brochures,...)

<https://www.siemens.com/ic10>

Industry Mall (Online ordering system)

<https://mall.industry.siemens.com/mall/en/en/Catalog/product?mlfb=3SE5120-0AA00-1AG0>

Cax online generator

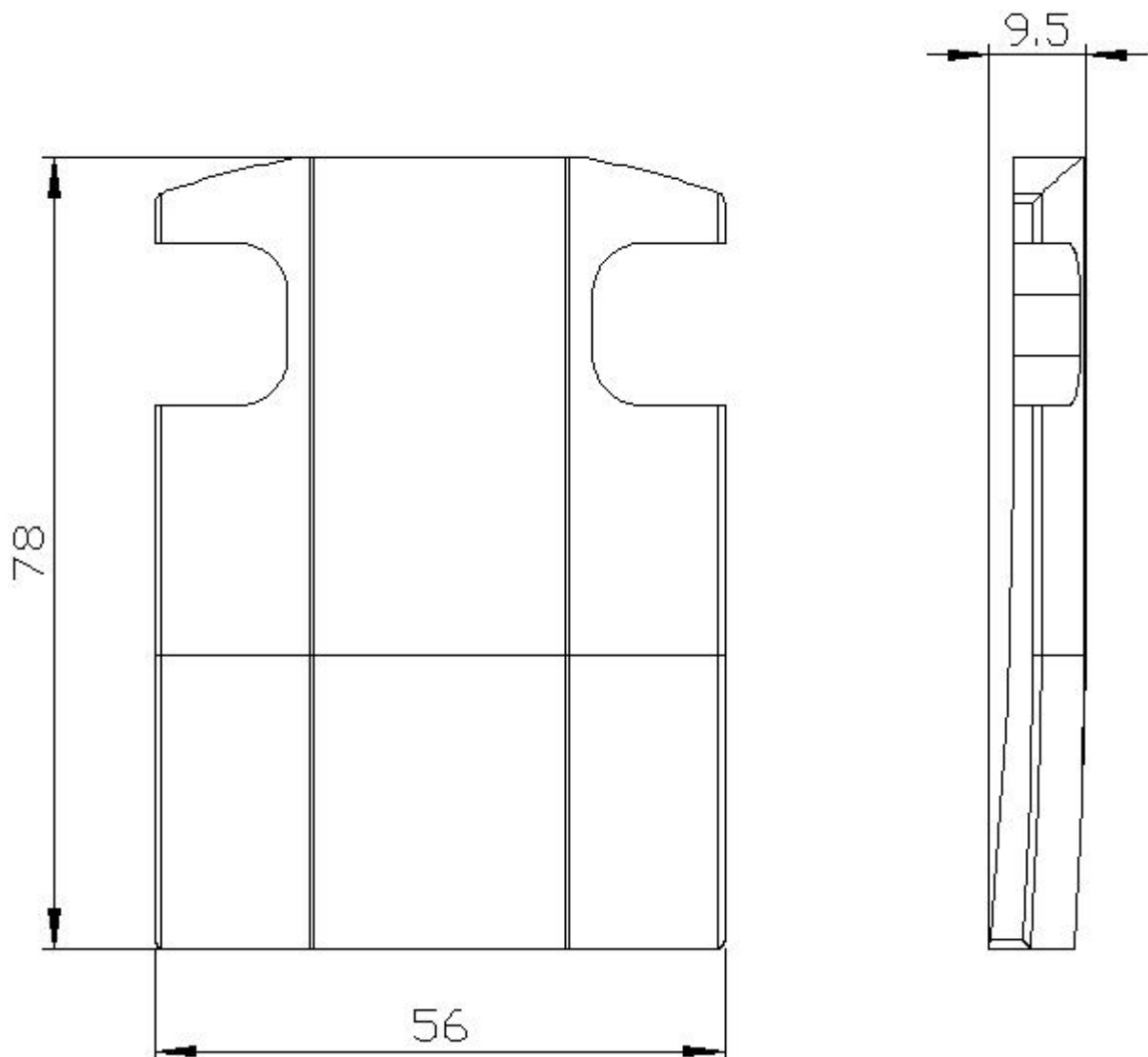
<http://support.automation.siemens.com/WW/CAXorder/default.aspx?lang=en&mlfb=3SE5120-0AA00-1AG0>

Service&Support (Manuals, Certificates, Characteristics, FAQs,...)

<https://support.industry.siemens.com/cs/ww/en/ps/3SE5120-0AA00-1AG0>

Image database (product images, 2D dimension drawings, 3D models, device circuit diagrams, EPLAN macros, ...)

http://www.automation.siemens.com/bilddb/cax_de.aspx?mlfb=3SE5120-0AA00-1AG0&lang=en



last modified:

12/21/2020