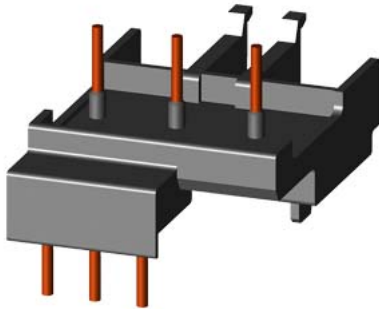


Link module Electrical and mechanical for 3RV2.1/3RV2.2 and 3RT2.1 AC and DC operation (multi-unit packaging)



General technical data		
product brand name		SIRIUS
product designation		link module
design of the product		for 3RV1.2 and 3RT101, for 3RV2.1/3RV2.2 and 3RT2.1
size of the circuit-breaker		S00, S0
size of contactor		S00

Installation/ mounting/ dimensions		
fastening method		screw fixing

Certificates/ approvals		
General Product Approval	Declaration of Conformity	Test Certificates



[Miscellaneous](#)



[Special Test Certificate](#)

[Type Test Certificates/Test Report](#)

Shipping Approval	other
-------------------	-------



[Confirmation](#)

Further information

Information- and Downloadcenter (Catalogs, Brochures,...)

<https://www.siemens.com/ic10>

Industry Mall (Online ordering system)

<https://mall.industry.siemens.com/mall/en/en/Catalog/product?mfb=3RA1921-1D>

Cax online generator

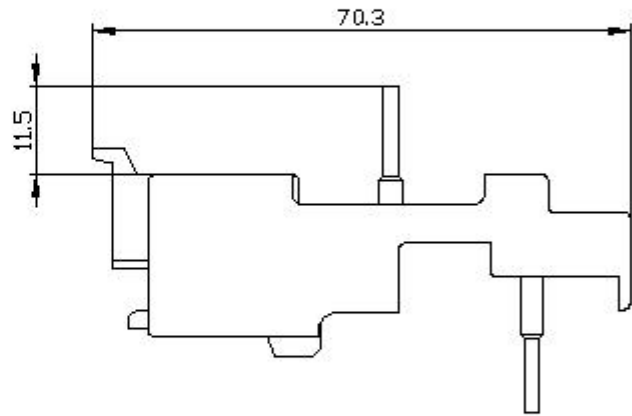
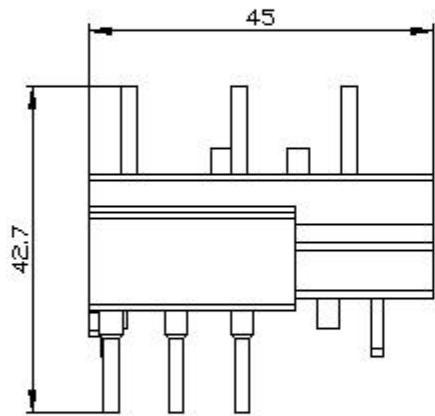
<http://support.automation.siemens.com/WW/CAXorder/default.aspx?lang=en&mfb=3RA1921-1D>

Service&Support (Manuals, Certificates, Characteristics, FAQs,...)

<https://support.industry.siemens.com/cs/ww/en/ps/3RA1921-1D>

Image database (product images, 2D dimension drawings, 3D models, device circuit diagrams, EPLAN macros, ...)

http://www.automation.siemens.com/bilddb/cax_de.aspx?mfb=3RA1921-1D&lang=en



last modified:

5/15/2020 