



Load feeder fuseless, Direct-on-line starting 400 V AC, Size S2 49...59 A
20 ... 33 V AC/DC screw terminal for installation on standard mounting rail
(also fulfills type of coordination 1) Type of coordination 2, I_q = 100 kA 1
NO+1 NC (contactor) with circuit (integrated)

product brand name	SIRIUS
product designation	Direct (on-line) starter
design of the product	for standard rail or screw mounting
product type designation	3RA21
manufacturer's article number	
• of the supplied contactor	3RT2037-1NB30
• of the supplied circuit-breakers	3RV2031-4XA10
• of the supplied link module	3RA2931-1AA00
General technical data	
size of the circuit-breaker	S2
size of load feeder	S2
insulation voltage with degree of pollution 3 at AC rated value	690 V
surge voltage resistance rated value	6 kV
shock resistance acc. to IEC 60068-2-27	6g / 11 ms
mechanical service life (switching cycles) of contactor typical	10 000 000
type of assignment	2
type of protection according to ATEX directive 2014/34/EU	Ex II (2) GD
certificate of suitability according to ATEX directive 2014/34/EU	DMT 02 ATEX F 001
Substance Prohibition (Date)	01.03.2017 00:00:00
Ambient conditions	
• ambient temperature during operation	-20 ... +60 °C
• ambient temperature during storage	-50 ... +80 °C
• ambient temperature during transport	-50 ... +80 °C
temperature compensation	-20 ... +60 °C
relative humidity during operation	10 ... 95 %
Main circuit	
number of poles for main current circuit	3
design of the switching contact	electromechanical
adjustable current response value current of the current-dependent overload release	49 ... 59 A
• operating voltage rated value	690 V
• operating voltage at AC-3 rated value maximum	690 V
operating frequency rated value	50 ... 60 Hz
operational current at AC-3 at 400 V rated value	55 A

operating power at AC-3			
• at 230 V rated value	18 500 W		
• at 400 V rated value	30 000 W		
Control circuit/ Control			
type of voltage of the control supply voltage	AC/DC		
control supply voltage at AC			
• at 50 Hz rated value	20 ... 33 V		
• at 60 Hz rated value	20 ... 33 V		
control supply voltage at DC			
• rated value	20 ... 33 V		
inductive power factor with the holding power of the coil	1		
holding power of magnet coil at DC	1 W		
Auxiliary circuit			
product extension auxiliary switch	Yes		
Protective and monitoring functions			
trip class	CLASS 10		
design of the overload release	thermal (bimetallic)		
response value current of instantaneous short-circuit trip unit	845 A		
Short-circuit protection			
product function short circuit protection	Yes		
design of the short-circuit trip	magnetic		
conditional short-circuit current (I_q)			
• at 400 V acc. to IEC 60947-4-1 rated value	100 000 A		
Installation/ mounting/ dimensions			
mounting position	vertical, horizontal		
fastening method	Screw-fixing and snap-on mounting to two 35 mm standard mounting rails		
height	274 mm		
width	55 mm		
depth	150 mm		
required spacing			
• for grounded parts			
— forwards	32 mm		
— backwards	0 mm		
— upwards	50 mm		
— at the side	10 mm		
— downwards	10 mm		
• for live parts			
— forwards	32 mm		
— backwards	0 mm		
— upwards	50 mm		
— downwards	10 mm		
— at the side	10 mm		
Connections/ Terminals			
type of electrical connection			
• for main current circuit	screw-type terminals		
Safety related data			
touch protection on the front acc. to IEC 60529	finger-safe, for vertical contact from the front		
Certificates/ approvals			
General Product Approval	For use in hazardous locations	Declaration of Conformity	Test Certificates



[Special Test Certificate](#)

Test Certificates

Marine / Shipping

[Type Test Certificates/Test Report](#)



Marine / Shipping

other

Railway



[Confirmation](#)

[Vibration and Shock](#)

Further information

Information- and Downloadcenter (Catalogs, Brochures,...)

<https://www.siemens.com/ic10>

Industry Mall (Online ordering system)

<https://mall.industry.siemens.com/mall/en/en/Catalog/product?mlfb=3RA2130-4XA37-0NB3>

Cax online generator

<http://support.automation.siemens.com/WW/CAXorder/default.aspx?lang=en&mlfb=3RA2130-4XA37-0NB3>

Service&Support (Manuals, Certificates, Characteristics, FAQs,...)

<https://support.industry.siemens.com/cs/ww/en/ps/3RA2130-4XA37-0NB3>

Image database (product images, 2D dimension drawings, 3D models, device circuit diagrams, EPLAN macros, ...)

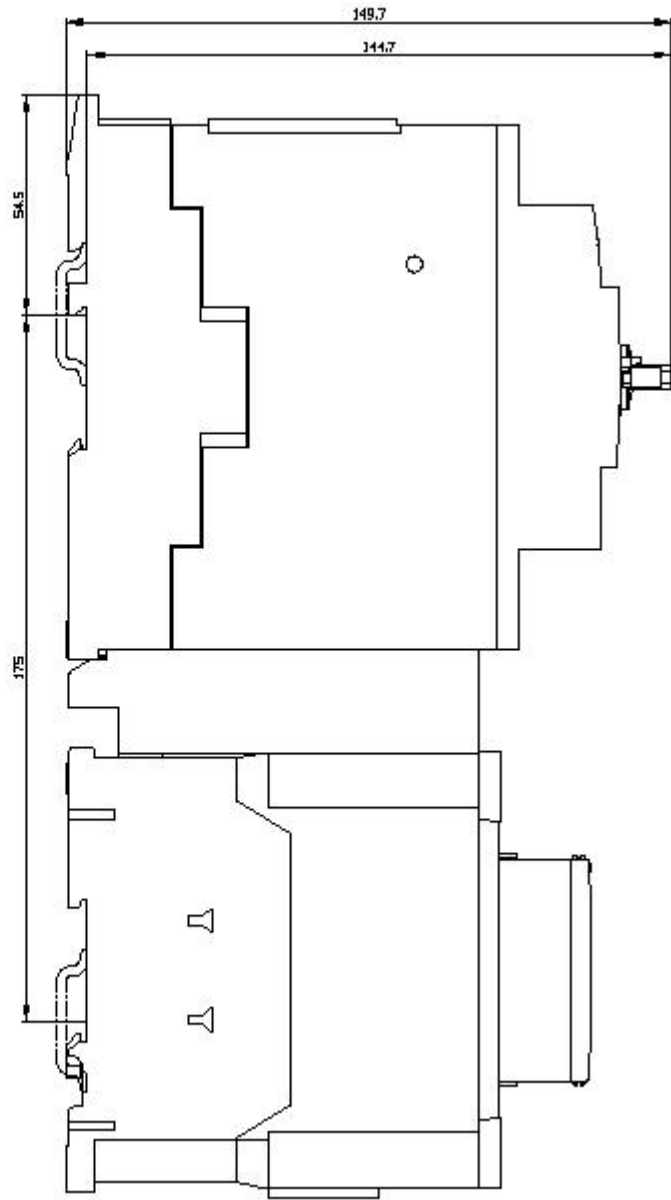
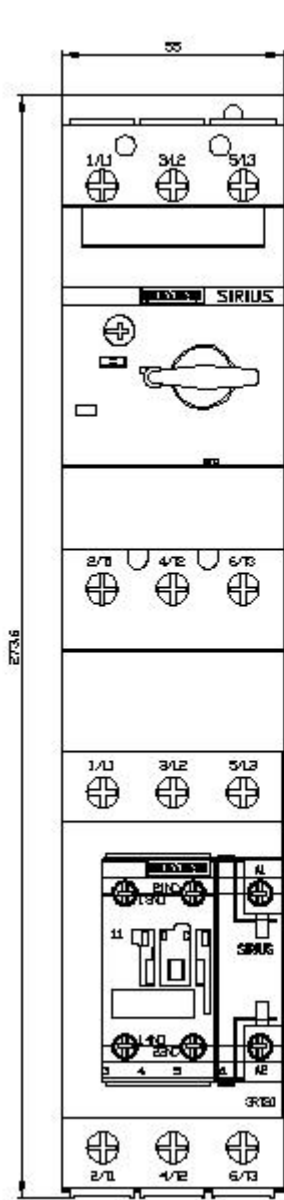
http://www.automation.siemens.com/bilddb/cax_de.aspx?mlfb=3RA2130-4XA37-0NB3&lang=en

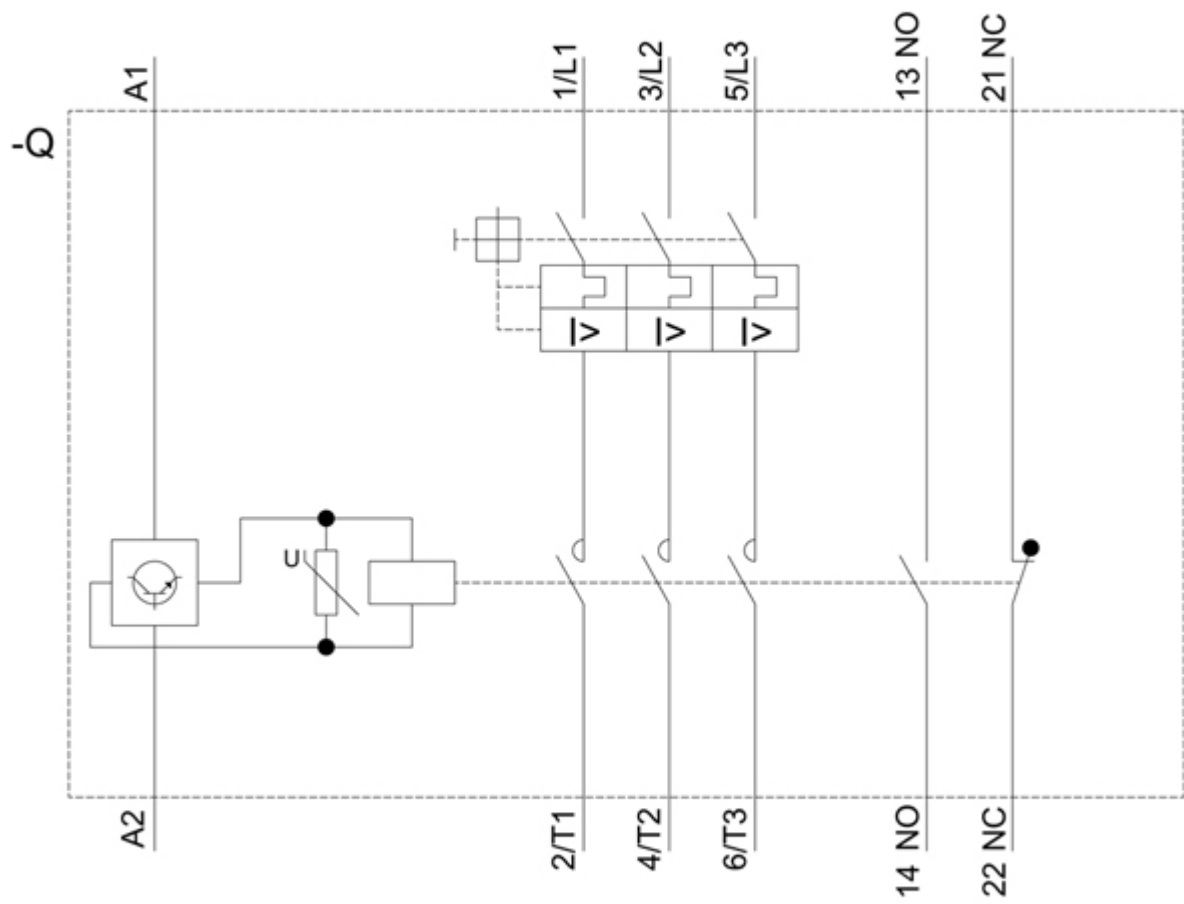
Characteristic: Tripping characteristics, I^t, Let-through current

<https://support.industry.siemens.com/cs/ww/en/ps/3RA2130-4XA37-0NB3/char>

Further characteristics (e.g. electrical endurance, switching frequency)

<http://www.automation.siemens.com/bilddb/index.aspx?view=Search&mlfb=3RA2130-4XA37-0NB3&objecttype=14&gridview=view1>





last modified:

12/15/2020