



Safety position switch with separate actuator Molded-plastic enclosure lateral and face-end Slow-action contacts 1 NO+2 NC, 3 x (M20 x 1.5) Pull-out force 30 N Supplied without actuator

<b>product brand name</b>	SIRIUS
<b>product designation</b>	safety position switch
suitability for use safety switch	Yes
<b>General technical data</b>	
insulation voltage rated value	500 V
<b>surge voltage resistance rated value</b>	6 kV
<b>protection class IP</b>	IP67
mechanical service life (switching cycles) typical	1 000 000
<b>thermal current</b>	10 A
<b>reference code acc. to IEC 81346-2</b>	B
<b>active principle</b>	mechanical
<b>length of the sensor</b>	90 mm
<b>width of the sensor</b>	52 mm
<b>design of the switching contact</b>	mechanical
<b>operating frequency rated value</b>	60 ... 50 Hz
<b>number of NC contacts for auxiliary contacts</b>	2
<b>number of NO contacts for auxiliary contacts</b>	1
<b>operational current at AC-15</b>	
• at 230 V rated value	4 A
<b>operational current at DC-13</b>	
• at 24 V rated value	4 A
design of the interface for safety-related communication	without
<b>Enclosure</b>	
<b>design of the housing</b>	wide
<b>material of the enclosure</b>	glass fiber reinforced thermoplast
<b>coating of the enclosure</b>	Other types
<b>design of the housing acc. to standard</b>	No
<b>Drive Head</b>	
<b>design of the actuating element</b>	without
<b>design of the switching function</b>	positive opening
<b>circuit principle</b>	slow-action contacts
number of switching contacts safety-related	1
<b>Connections/ Terminals</b>	
<b>type of electrical connection</b>	screw-type terminals
<b>type of connectable conductor cross-sections</b>	
• solid	2x (0.75 ... 2.5 mm <sup>2</sup> )
• finely stranded with core end processing	2x (0.75 ... 2.5 mm <sup>2</sup> )

cable entry type	3 x (M20 x 1.5)
<b>Communication/ Protocol</b>	
design of the interface	without
<b>Ambient conditions</b>	
explosion protection category for dust	none
<b>Installation/ mounting/ dimensions</b>	
mounting position	any
fastening method	screw fixing
<b>Certificates/ approvals</b>	
General Product Approval	Declaration of Conformity



[Miscellaneous](#)

Declaration of Conformity	Test Certificates	Marine / Shipping
---------------------------	-------------------	-------------------



[Miscellaneous](#)



Marine / Shipping	other
-------------------	-------



[Confirmation](#)

### Further information

Information- and Downloadcenter (Catalogs, Brochures,...)

<https://www.siemens.com/ic10>

Industry Mall (Online ordering system)

<https://mall.industry.siemens.com/mall/en/en/Catalog/product?mlfb=3SE2243-0XX>

Cax online generator

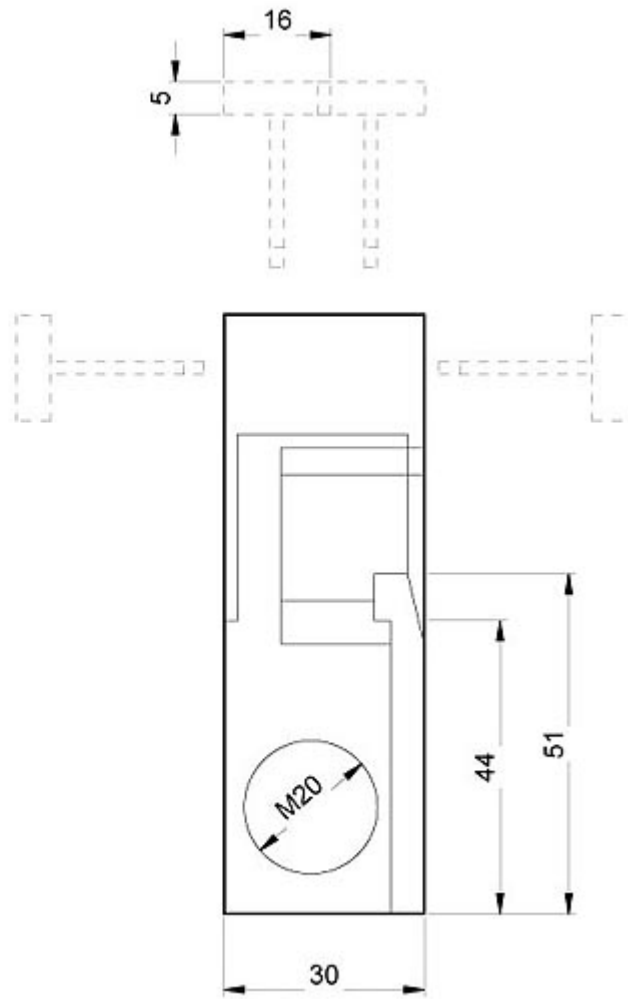
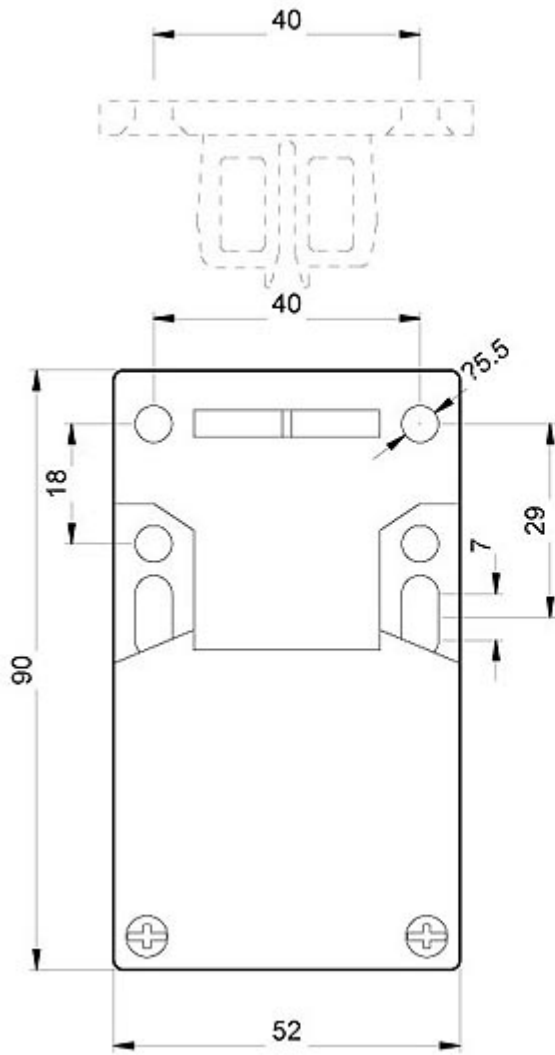
<http://support.automation.siemens.com/WW/CAXorder/default.aspx?lang=en&mlfb=3SE2243-0XX>

Service&Support (Manuals, Certificates, Characteristics, FAQs,...)

<https://support.industry.siemens.com/cs/ww/en/ps/3SE2243-0XX>

Image database (product images, 2D dimension drawings, 3D models, device circuit diagrams, EPLAN macros, ...)

[http://www.automation.siemens.com/bilddb/cax\\_de.aspx?mlfb=3SE2243-0XX&lang=en](http://www.automation.siemens.com/bilddb/cax_de.aspx?mlfb=3SE2243-0XX&lang=en)



last modified:

10/28/2020 