



LED module with integrated LED 24 V AC/DC, white, screw terminal, for front plate mounting, Minimum order quantity 5 or a multiple thereof

product brand name	SIRIUS ACT
product designation	LED module
product type designation	3SU1
General technical data	
product component	
<ul style="list-style-type: none"> • diode • lamp transformer • light source • series resistor 	Yes No Yes No
insulation voltage rated value	320 V
degree of pollution	3
type of voltage of the operating voltage	AC/DC
<ul style="list-style-type: none"> • for actuation 	AC/DC
surge voltage resistance rated value	4 kV
consumed current maximum	25 mA
protection class IP	
<ul style="list-style-type: none"> • of the enclosure • of the terminal 	IP40 IP20
shock resistance	
<ul style="list-style-type: none"> • acc. to IEC 60068-2-27 • for railway applications acc. to DIN EN 61373 	Sinusoidal half-wave 50g / 11 ms Category 1, Class B
vibration resistance	
<ul style="list-style-type: none"> • acc. to IEC 60068-2-6 • for railway applications acc. to DIN EN 61373 	10 ... 500 Hz: 5g Category 1, Class B
operating period typical	100 000 h
reference code acc. to IEC 81346-2	P
operating voltage 1	
<ul style="list-style-type: none"> • at AC <ul style="list-style-type: none"> — at 50 Hz rated value — at 60 Hz rated value • at DC rated value 	24 V 24 V 24 V
relative positive tolerance of the operating voltage	20 %
relative negative tolerance of the operating voltage	20 %
Control circuit/ Control	
inrush current maximum	2 A
Connections/ Terminals	
type of electrical connection	screw-type terminals

type of connectable conductor cross-sections	
<ul style="list-style-type: none"> • solid with core end processing • solid without core end processing • finely stranded with core end processing • finely stranded without core end processing • at AWG cables 	2x (0.5 ... 0.75 mm ²) 2x (1.0 ... 1.5 mm ²) 2x (0.5 ... 1.5 mm ²) 2x (1,0 ... 1,5 mm ²) 2x (18 ... 14)
<ul style="list-style-type: none"> • tightening torque with screw-type terminals 	0.8 ... 0.9 N·m

Lamp	
type of light source	LED
color of the light source	white
light intensity	900 ... 1 400 mcd
certificate of suitability	
<ul style="list-style-type: none"> • ATEX • IECEX 	No No

Ambient conditions	
<ul style="list-style-type: none"> • ambient temperature during operation • ambient temperature during storage 	-25 ... +70 °C -40 ... +80 °C
environmental category during operation acc. to IEC 60721	3M6, 3S2, 3B2, 3C3, 3K6 (with relative air humidity of 10 ... 95 %, no condensation in operation permitted)

Installation/ mounting/ dimensions	
fastening method	
<ul style="list-style-type: none"> • of modules and accessories 	Front plate mounting
height	33.2 mm
width	9.8 mm
depth	29.4 mm

Certificates/ approvals	
General Product Approval	EMC
	Declaration of Conformity



Declaration of Conformity	Test Certificates	Marine / Shipping
----------------------------------	--------------------------	--------------------------

[Miscellaneous](#)

[Special Test Certificate](#)

[Type Test Certificates/Test Report](#)



Marine / Shipping	other
--------------------------	--------------



[Confirmation](#)

Further information

Information- and Downloadcenter (Catalogs, Brochures,...)

<https://www.siemens.com/ic10>

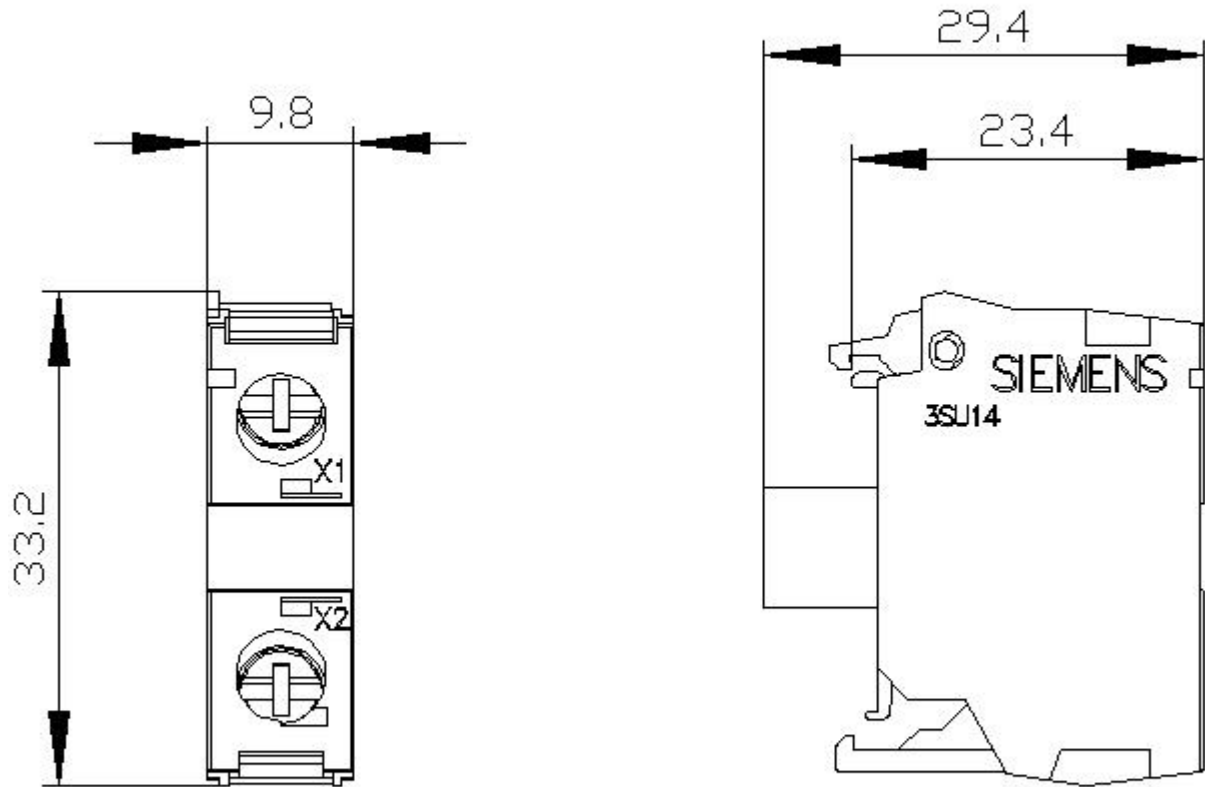
Industry Mall (Online ordering system)

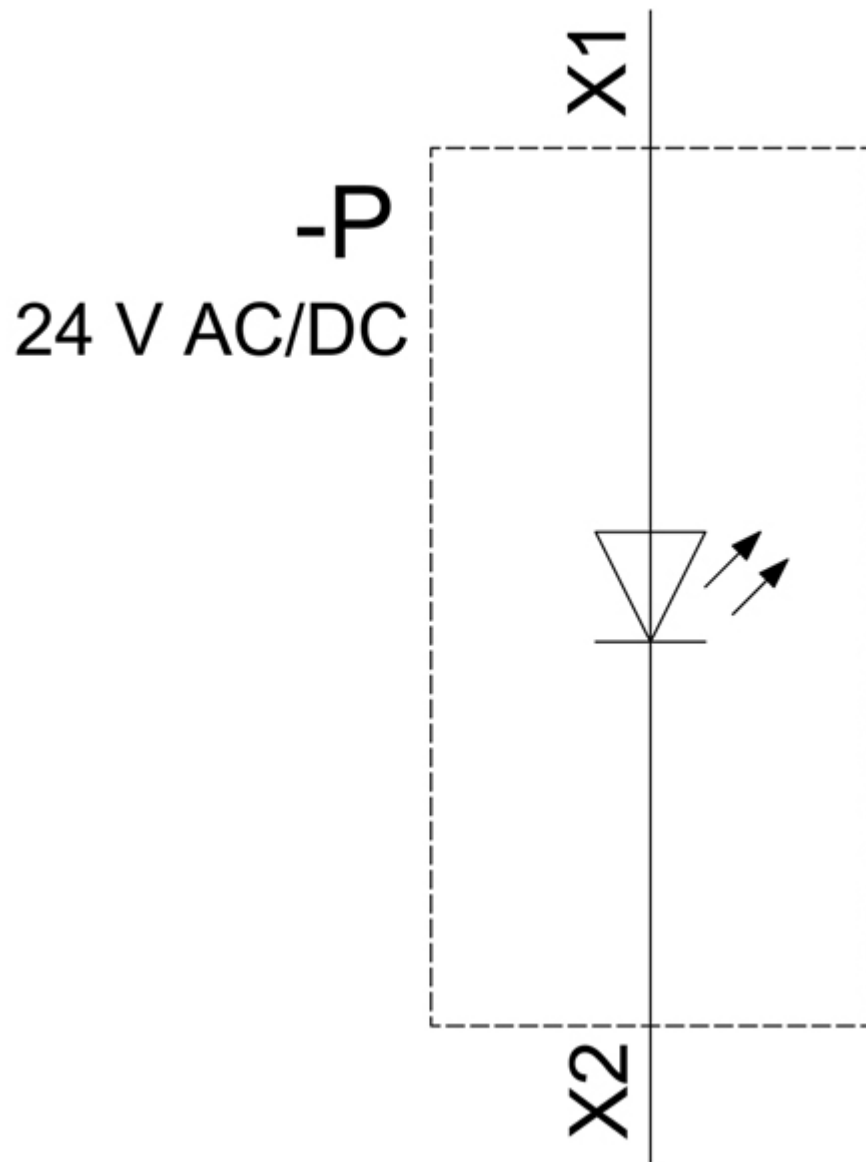
<https://mall.industry.siemens.com/mall/en/en/Catalog/product?mlfb=3SU1401-1BB60-1AA0>

Cax online generator

<http://support.automation.siemens.com/WW/CAXorder/default.aspx?lang=en&mlfb=3SU1401-1BB60-1AA0>

Service&Support (Manuals, Certificates, Characteristics, FAQs,...)





last modified:

12/18/2020 