



LED module with integrated LED, 24-240 V AC/DC, green, screw terminal, for floor mounting

<b>product brand name</b>	SIRIUS ACT
<b>product designation</b>	LED module
<b>product type designation</b>	3SU1
<b>General technical data</b>	
<b>product component</b>	
• diode	Yes
• lamp transformer	No
• light source	Yes
• series resistor	No
insulation voltage rated value	320 V
<b>degree of pollution</b>	3
type of voltage of the operating voltage	AC/DC
• for actuation	AC/DC
<b>surge voltage resistance rated value</b>	4 kV
consumed current maximum	20 mA
protection class IP	
• of the enclosure	IP40
• of the terminal	IP20
<b>shock resistance</b>	
• acc. to IEC 60068-2-27	Sinusoidal half-wave 50g / 11 ms
• for railway applications acc. to DIN EN 61373	Category 1, Class B
<b>vibration resistance</b>	
• acc. to IEC 60068-2-6	10 ... 500 Hz: 5g
• for railway applications acc. to DIN EN 61373	Category 1, Class B
<b>operating period typical</b>	100 000 h
<b>reference code acc. to IEC 81346-2</b>	P
• operating voltage at AC	
— at 50 Hz rated value	24 ... 240 V
— at 60 Hz rated value	24 ... 240 V
• operating voltage at DC rated value	24 ... 240 V
<b>relative positive tolerance of the operating voltage</b>	20 %
<b>relative negative tolerance of the operating voltage</b>	20 %
<b>Control circuit/ Control</b>	
inrush current maximum	3 A
<b>Connections/ Terminals</b>	
<b>type of electrical connection</b>	screw-type terminals
<b>type of connectable conductor cross-sections</b>	

<ul style="list-style-type: none"> <li>● solid with core end processing</li> <li>● solid without core end processing</li> <li>● finely stranded with core end processing</li> <li>● finely stranded without core end processing</li> <li>● at AWG cables</li> </ul>	2x (0.5 ... 0.75 mm <sup>2</sup> ) 2x (1.0 ... 1.5 mm <sup>2</sup> ) 2x (0.5 ... 1.5 mm <sup>2</sup> ) 2x (1,0 ... 1,5 mm <sup>2</sup> ) 2x (18 ... 14)
<ul style="list-style-type: none"> <li>● tightening torque with screw-type terminals</li> </ul>	0.8 ... 0.9 N·m

Lamp	
type of light source	LED
color of the light source	green
light intensity	900 ... 1 400 mcd
certificate of suitability	
<ul style="list-style-type: none"> <li>● ATEX</li> <li>● IECEX</li> </ul>	No No

Ambient conditions	
<ul style="list-style-type: none"> <li>● ambient temperature during operation</li> <li>● ambient temperature during storage</li> </ul>	-25 ... +70 °C -40 ... +80 °C
environmental category during operation acc. to IEC 60721	3M6, 3S2, 3B2, 3C3, 3K6 (with relative air humidity of 10 ... 95 %, no condensation in operation permitted)

Installation/ mounting/ dimensions	
fastening method	
<ul style="list-style-type: none"> <li>● of modules and accessories</li> </ul>	Floor mounting
height	33.2 mm
width	9.8 mm
depth	29.4 mm

Certificates/ approvals		
General Product Approval	EMC	Declaration of Conformity



[Miscellaneous](#)

Declaration of Conformity	Test Certificates	Marine / Shipping
---------------------------	-------------------	-------------------



[Type Test Certificates/Test Report](#)

[Special Test Certificate](#)



Marine / Shipping	other
-------------------	-------



[Confirmation](#)

### Further information

Information- and Downloadcenter (Catalogs, Brochures,...)

<https://www.siemens.com/ic10>

Industry Mall (Online ordering system)

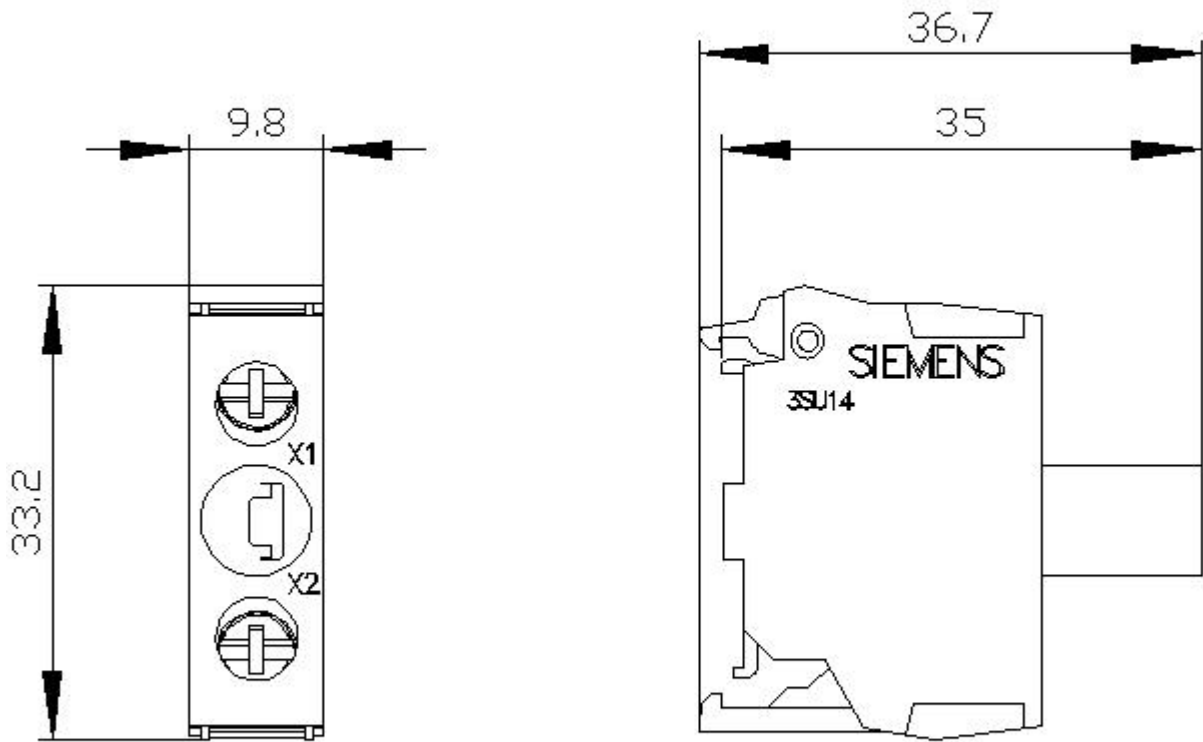
<https://mall.industry.siemens.com/mall/en/en/Catalog/product?mfb=3SU1401-2BH40-1AA0>

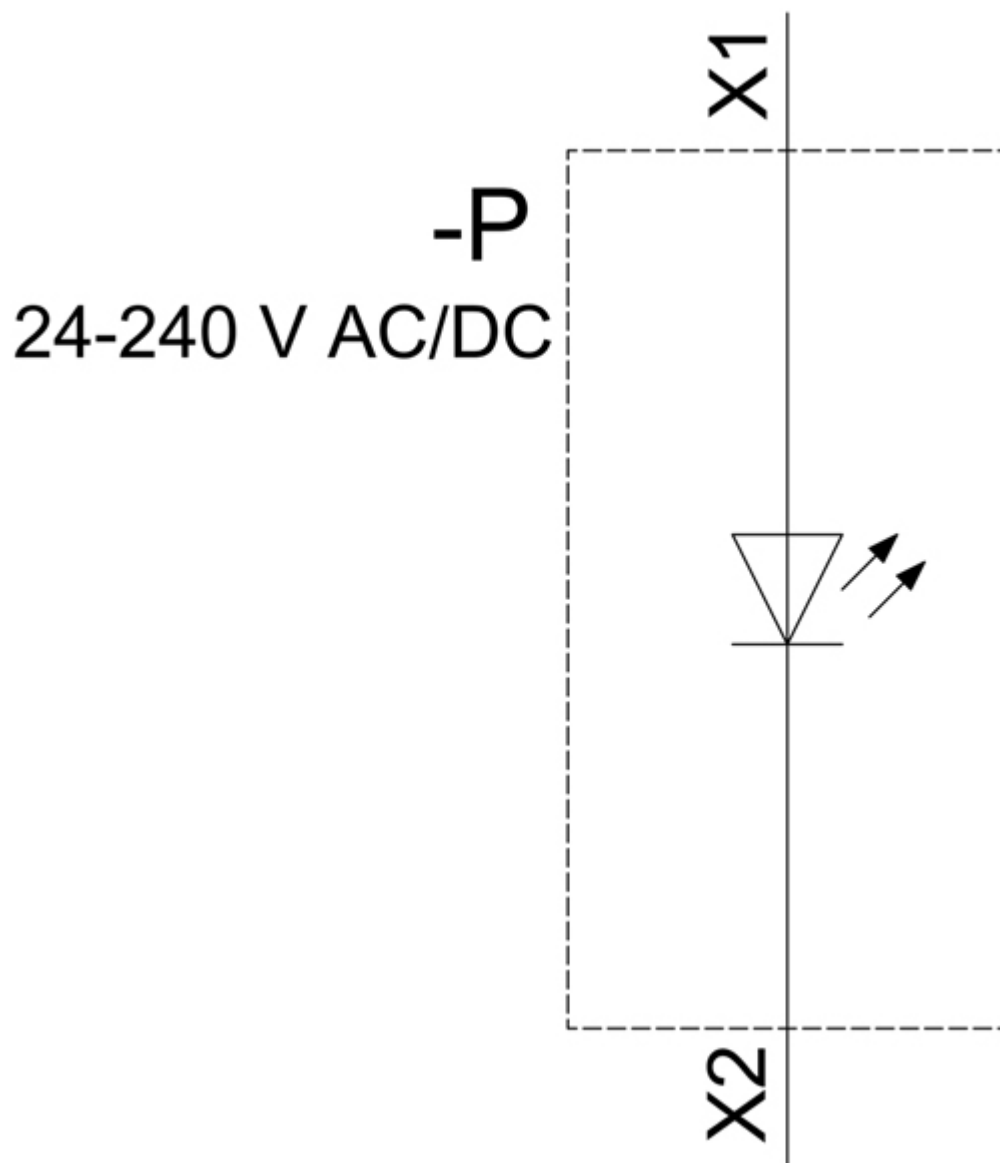
Cax online generator

<http://support.automation.siemens.com/WW/CAXorder/default.aspx?lang=en&mfb=3SU1401-2BH40-1AA0>

Service&Support (Manuals, Certificates, Characteristics, FAQs,...)

<https://support.industry.siemens.com/cs/ww/en/ps/3SU1401-2BH40-1AA0>





last modified:

8/31/2020 