

Safety position switch with separate actuator Metal enclosure, 56 mm  
 Device connection 3x (M20x 1.5) Slow-action contacts 1 NO/2 NC  
 with 2 LEDs, 230 V AC yellow/green 5 directions of approaches The  
 matching separate actuator 3SE5000-0AV0. must be ordered  
 separately



<b>product brand name</b>	SIRIUS
<b>Product designation</b>	Mechanical safety switches
<b>Product type designation</b>	3SE5
<b>Manufacturer's article number</b>	3SE5000-0AV01 standard actuator, 3SE5000-0AV02 actuator with vertical mounting, 3SE5000-0AV03 actuator with horizontal mounting, 3SE5000-0AV04 radius actuator left, 3SE5000-0AV05 universal actuator, 3SE5000-0AV06 radius actuator right, 3SE5000-0AV07 heavy-duty actuator, 3SE5000-0AW11 plastic actuator, 3SE5000-0AW21 stainless steel actuator
<ul style="list-style-type: none"> <li>of the optional actuators</li> </ul>	
Suitability for use safety switch	Yes

General technical data	
<b>Product function</b>	Yes
<ul style="list-style-type: none"> <li>positive opening</li> </ul>	
<ul style="list-style-type: none"> <li>Insulation voltage rated value</li> </ul>	400 V
<b>Degree of pollution</b>	class 3
<b>Surge voltage resistance rated value</b>	4 kV
<ul style="list-style-type: none"> <li>Protection class IP</li> </ul>	IP66/IP67
<b>Shock resistance</b>	30g / 11 ms
<ul style="list-style-type: none"> <li>acc. to IEC 60068-2-27</li> </ul>	

<b>Vibration resistance</b>	
• acc. to IEC 60068-2-6	0.35 mm/5g
<b>Mechanical service life (switching cycles)</b>	
• typical	1 000 000
<b>Electrical endurance (switching cycles)</b>	
• at AC-15 at 230 V typical	100 000
<b>Electrical endurance (switching cycles) with contactor 3RH11, 3RT1016, 3RT1017, 3RT1024, 3RT1025, 3RT1026 typical</b>	1 000 000
<b>Electrical operating cycles in one hour with contactor 3RH11, 3RT1016, 3RT1017, 3RT1024, 3RT1025, 3RT1026</b>	6 000
<b>thermal current</b>	10 A
<b>Material of the enclosure of the switch head</b>	metal
<b>Reference code acc. to DIN EN 81346-2</b>	B
<b>Continuous current of the C characteristic MCB</b>	1 A; for a short-circuit current smaller than 400 A
<b>Continuous current of the quick DIAZED fuse link</b>	10 A; for a short-circuit current smaller than 400 A
<b>Continuous current of the DIAZED fuse link gG</b>	6 A; for a short-circuit current smaller than 400 A
<b>Active principle</b>	mechanical
<b>Repeat accuracy</b>	0.05 mm
<b>Minimum actuating force in activation direction</b>	20 N
<b>Length of the sensor</b>	110 mm
<b>Width of the sensor</b>	56 mm
<b>design of the switching contact</b>	mechanical
<b>Operating frequency rated value</b>	50 ... 60 Hz
<b>Number of NC contacts for auxiliary contacts</b>	2
<b>Number of NO contacts for auxiliary contacts</b>	1
<b>Operating current at AC-15</b>	
• at 230 V rated value	4 A
<b>Design of the interface for safety-related communication</b>	without

<b>Enclosure</b>	
<b>Design of the housing</b>	block, wide
<b>Material of the enclosure</b>	metal
<b>Coating of the enclosure</b>	cathodic immersion coating
<b>Design of the housing acc. to standard</b>	No

<b>Drive Head</b>	
<b>Design of the operating mechanism</b>	without
<b>Design of the switching function</b>	positive opening
<b>Circuit principle</b>	slow-action contacts
<b>Number of switching contacts safety-related</b>	2

<b>Connections/ Terminals</b>	
• <b>type of electrical connection</b>	screw-type terminals

• type of connectable conductor cross-sections solid	1x (0.5 ... 1.5 mm <sup>2</sup> ), 2x (0.5 ... 0.75 mm <sup>2</sup> )
• Type of connectable conductor cross-sections finely stranded with core end processing	1x (0.5 ... 1.5 mm <sup>2</sup> ), 2x (0.5 ... 0.75 mm <sup>2</sup> )
• Type of connectable conductor cross-sections at AWG conductors solid	1x (20 ... 16), 2x (20 ... 18)
• Type of connectable conductor cross-sections at AWG conductors stranded	1x (20 ... 16), 2x (20 ... 18)

#### Safety related data

<b>B10 value</b>	
• with high demand rate acc. to SN 31920	1 000 000
<b>Proportion of dangerous failures</b>	
• with high demand rate acc. to SN 31920	20 %
<b>Cable entry type</b>	3 x (M20 x 1.5)

#### Communication/ Protocol

• design of the interface	without
---------------------------	---------

#### Ambient conditions

<b>explosion protection category for dust</b>	none
---	------

#### Supply voltage

<b>Type of voltage of the supply voltage</b>	
• of the optional LED indicator	AC
<b>Supply voltage</b>	
• of LED	230 V

#### Installation/ mounting/ dimensions

• mounting position	any
<b>Mounting type</b>	screw fixing

#### Certificates/ approvals

General Product Approval	Functional Safety/Safety of Machinery	Declaration of Conformity
--------------------------	---------------------------------------	---------------------------



CCC



CSA



UL



[Type Examination Certificate](#)



EG-Konf.

Declaration of Conformity	other
---------------------------	-------

[Miscellaneous](#)

[Confirmation](#)

### Further information

**Information- and Downloadcenter (Catalogs, Brochures,...)**

<https://www.siemens.com/ic10>

**Industry Mall (Online ordering system)**

<https://mall.industry.siemens.com/mall/en/en/Catalog/product?mlfb=3SE5122-3QV10>

**Cax online generator**

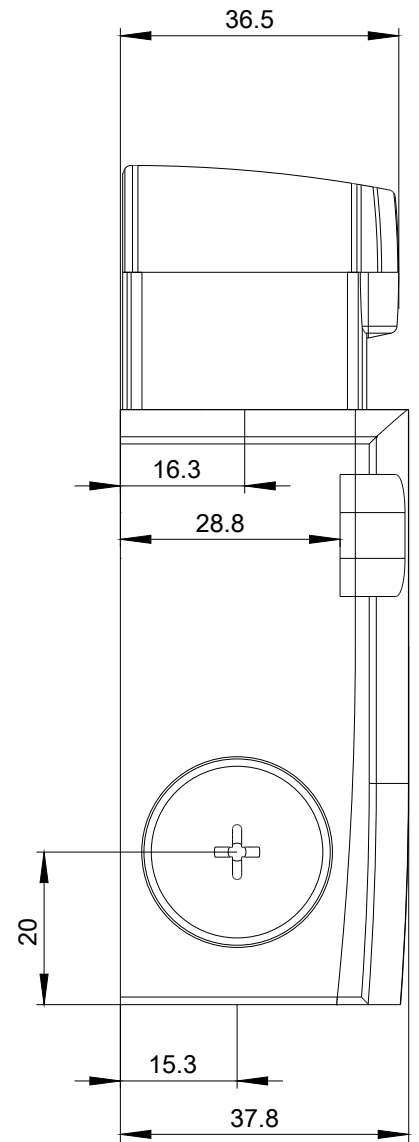
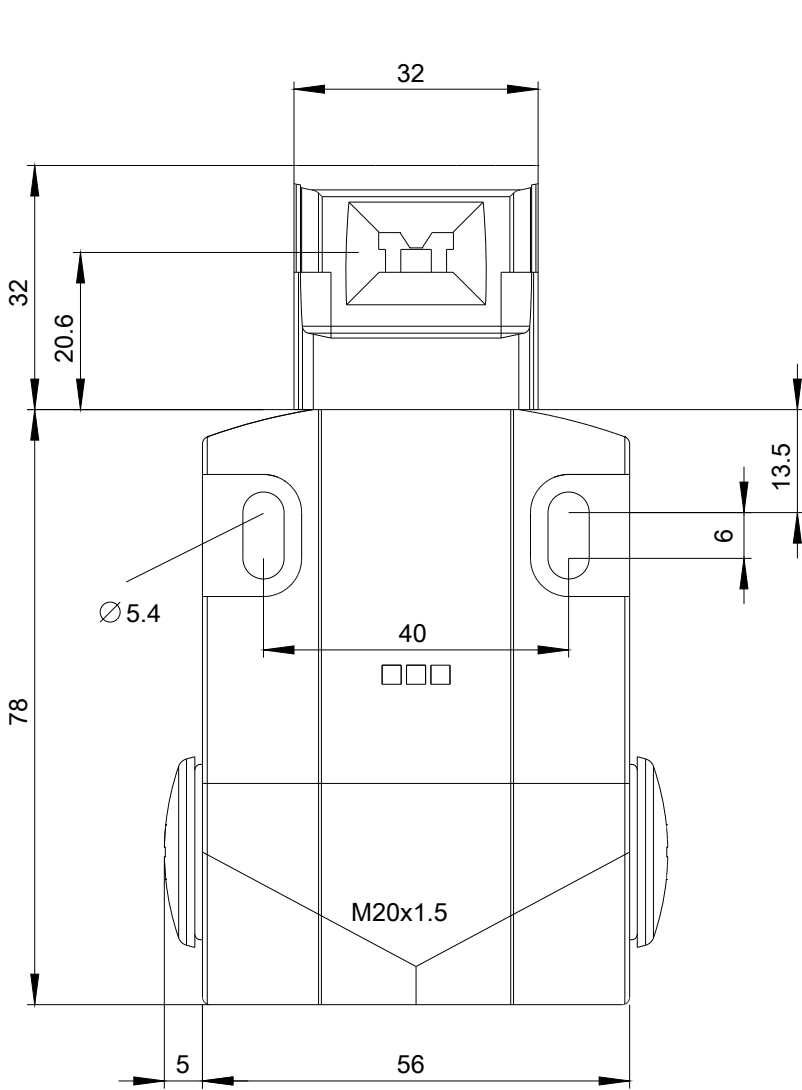
<http://support.automation.siemens.com/WW/CAXorder/default.aspx?lang=en&mlfb=3SE5122-3QV10>

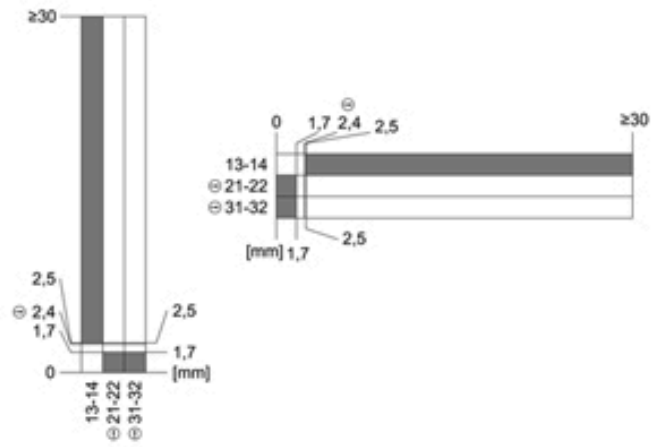
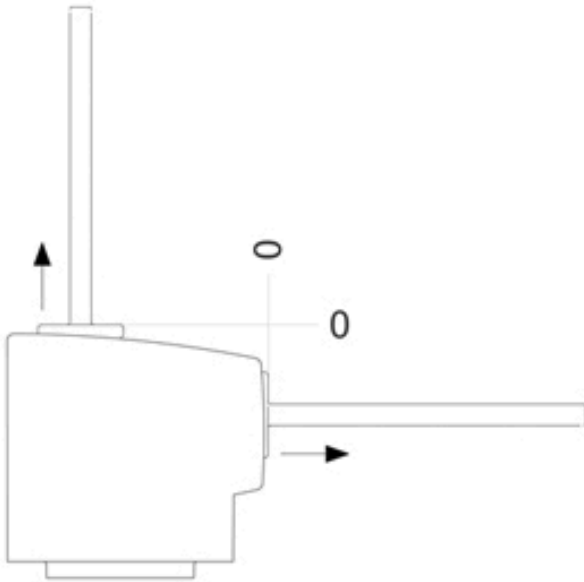
**Service&Support (Manuals, Certificates, Characteristics, FAQs,...)**

<https://support.industry.siemens.com/cs/ww/en/ps/3SE5122-3QV10>

**Image database (product images, 2D dimension drawings, 3D models, device circuit diagrams, EPLAN macros, ...)**

[http://www.automation.siemens.com/bilddb/cax\\_de.aspx?mlfb=3SE5122-3QV10&lang=en](http://www.automation.siemens.com/bilddb/cax_de.aspx?mlfb=3SE5122-3QV10&lang=en)





last modified:

09/01/2020