

Contact-free safety switches RFID Rectangular 106 mm x 25 mm
 Individually coded, single teach-in, with M12 connector 8-pole and
 magnet latching 18 N. Order actuator separately: 3SE6310-1BC01



product brand name	SIRIUS
product designation	RFID safety switch
design of the product	Rectangular sensor unit
product type designation	3SE63
Suitability for use safety-related circuits	Yes

General technical data	
<ul style="list-style-type: none"> product function positive opening 	No
<ul style="list-style-type: none"> Product function cross-circuit/short-circuit recognition 	Yes
product feature	individually coded, learnable once, with magnet latching
type of voltage of the operating voltage	DC
protection class IP <ul style="list-style-type: none"> shock resistance acc. to IEC 60068-2-27 	IP65, IP67, IP69k Sinusoidal half-wave 30g / 11 ms
vibration resistance <ul style="list-style-type: none"> acc. to IEC 60068-2-6 	10 ... 55 Hz: 1 mm
type of voltage	DC
Height of the sensor	22 mm
Length of the sensor	106 mm
Width of the sensor	25 mm

Material of the active sensor area	plastic
Mechanical installation condition for sensor	flush installation possible
operating voltage rated value	24 V
operating current rated value	600 mA
Design of the interface for safety-related communication	connector M12
transmission frequency rated value	125 kHz

Enclosure

material of the enclosure	plastic
material of cable sheath	PVC

Actuator

design of the operating mechanism	RFID
--	------

Contact

Switching frequency	1 Hz
Operating distance	12 mm
Safe operating distance OFF	16 mm
Safe operating distance ON	10 mm
design of the switching function	positive switching
Number of switching contacts for signaling function <ul style="list-style-type: none"> • safety-related 	1

Connections/ Terminals

type of electrical connection	M12 plug, 8-pole
wire length maximum	30 m

Safety related data

Safety Integrity Level (SIL) acc. to IEC 61508	3
performance level (PL) acc. to EN ISO 13849-1	e
category acc. to EN 954-1	4

Supply voltage

supply voltage	26.4 ... 20.4 V
-----------------------	-----------------

Inputs/ Outputs

Wertebereich	0.5 A
Output current at safety-related output maximum	0.25 A

Display

Evaluation version required	yes
------------------------------------	-----

Installation/ mounting/ dimensions

<ul style="list-style-type: none"> • mounting type 	screw fixing
--	--------------

Certificates/ approvals

General Product Approval	EMC	Functional Safety/Safety of Machinery	Declaration of Conformity
--------------------------	-----	---------------------------------------	---------------------------



[Type Examination Certificate](#)



[Miscellaneous](#)

other

[Confirmation](#)

Further information

Information- and Downloadcenter (Catalogs, Brochures,...)

<https://www.siemens.com/ic10>

Industry Mall (Online ordering system)

<https://mall.industry.siemens.com/mall/en/en/Catalog/product?mlfb=3SE6315-1BB03>

Cax online generator

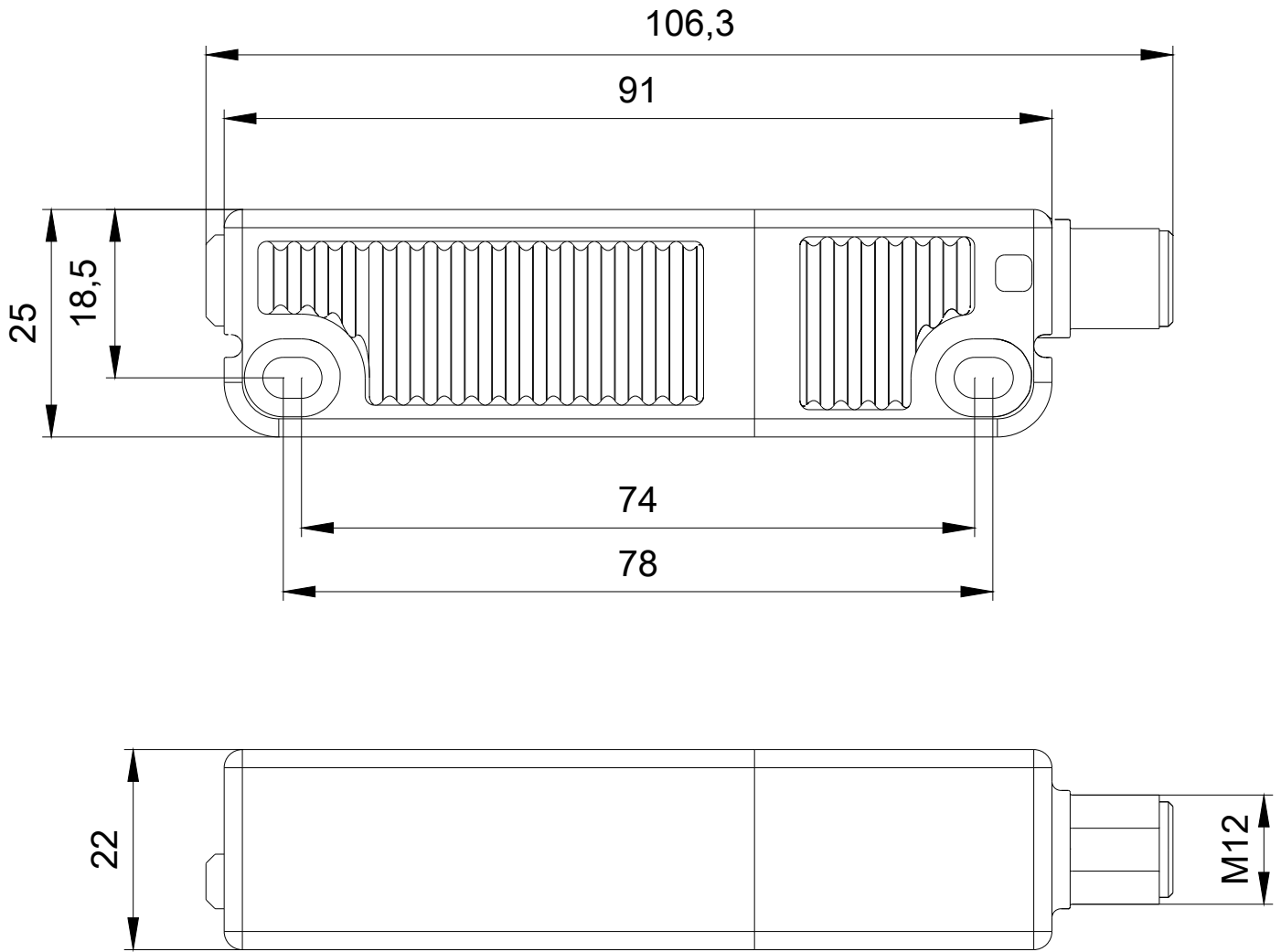
<http://support.automation.siemens.com/WW/CAXorder/default.aspx?lang=en&mlfb=3SE6315-1BB03>

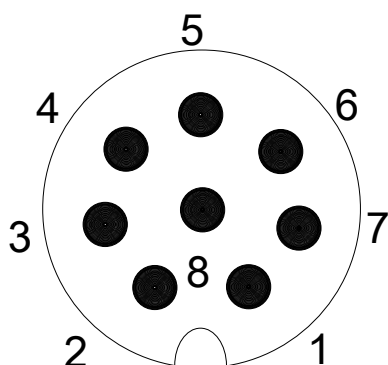
Service&Support (Manuals, Certificates, Characteristics, FAQs,...)

<https://support.industry.siemens.com/cs/ww/en/ps/3SE6315-1BB03>

Image database (product images, 2D dimension drawings, 3D models, device circuit diagrams, EPLAN macros, ...)

http://www.automation.siemens.com/bilddb/cax_de.aspx?mlfb=3SE6315-1BB03&lang=en





1	WH = White	→	A1
2	BN = Brown	→	X1
3	GN = Green	→	A2
4	YE = Yellow	→	OSSD1
5	GY = Grey	→	OUT
6	PK = Pink	→	X2
7	BU = Blue	→	OSSD2
8	RD = Red	→	n. c.

last modified:

08/31/2020