

Magnet switch Contact block 25 x 88 mm for door hinge on the left
 Contact elements: Safety contacts 2 NC Signaling contact 1 NC with
 connecting cable 3 m without LED, the matching solenoid 3SE6714-
 2CA or offset by 90° 3SE6724-2CA



product brand name	SIRIUS
product designation	Magnetically operated switch
design of the product	Rectangular sensor unit
product type designation	3SE66
Suitability for use safety-related circuits	Yes

General technical data	
• product function positive opening	No
• Product function control function for downstream devices	No
• Product function cross-circuit/short-circuit recognition	Yes
type of voltage of the operating voltage	DC
protection class IP	IP67
• shock resistance acc. to IEC 60068-2-27	Sinusoidal half-wave 30g / 11 ms
vibration resistance	
• acc. to IEC 60068-2-6	10 ... 55 Hz: 1 mm
reference code acc. to DIN EN 81346-2	S
type of voltage	DC
Height of the sensor	25 mm

Length of the sensor	13 mm
Width of the sensor	88 mm
Material of the active sensor area	Plastic, glass-fiber reinforced thermoplastic
Mechanical installation condition for sensor	can be installed almost flush
operating voltage rated value	75 V
operating current rated value	400 mA
Operating power rated value	10 W
number of NC contacts for auxiliary contacts	3
Number of NC contacts safety-related	2
number of NO contacts for auxiliary contacts	0
Number of NO contacts safety-related	0

Enclosure

material of the enclosure	Plastic, glass-fiber reinforced thermoplastic
Opening direction of the door	left
material of cable sheath	PVC

Actuator

design of the operating mechanism	magnet
------------------------------------------	--------

Contact

Switching frequency	5 Hz
Safe operating distance OFF	17 mm
Safe operating distance ON	7 mm
design of the switching function	NC contact
Number of switching contacts for signaling function	1
• safety-related	0

Connections/ Terminals

type of electrical connection	cable
wire length	3 m

Safety related data

B10 value	
• with high demand rate acc. to SN 31920	12 500 000
Safety Integrity Level (SIL) acc. to IEC 61508	3
performance level (PL) acc. to EN ISO 13849-1	e
proportion of dangerous failures	
• with low demand rate acc. to SN 31920	50 %
• with high demand rate acc. to SN 31920	50 %
T1 value for proof test interval or service life acc. to IEC 61508	20 y
category acc. to EN 954-1	4

Inputs/ Outputs

• Number of semiconductor outputs for signaling function	0
----------------------------------------------------------	---

- Number of semiconductor outputs safety-related

0

Number of outputs as contact-affected switching element

- as NC contact
 - for signaling function instantaneous contact
 - safety-related instantaneous contact
- as NO contact
 - safety-related instantaneous contact

1

2

0

Display

Evaluation version required

yes

Installation/ mounting/ dimensions

- mounting type

screw fixing

Certificates/ approvals

General Product Approval	EMC	Functional Safety/Safety of Machinery	other



[Miscellaneous](#)

[Confirmation](#)

Further information

Information- and Downloadcenter (Catalogs, Brochures,...)

<https://www.siemens.com/ic10>

Industry Mall (Online ordering system)

<https://mall.industry.siemens.com/mall/en/en/Catalog/product?mlfb=3SE6617-2CA04>

Cax online generator

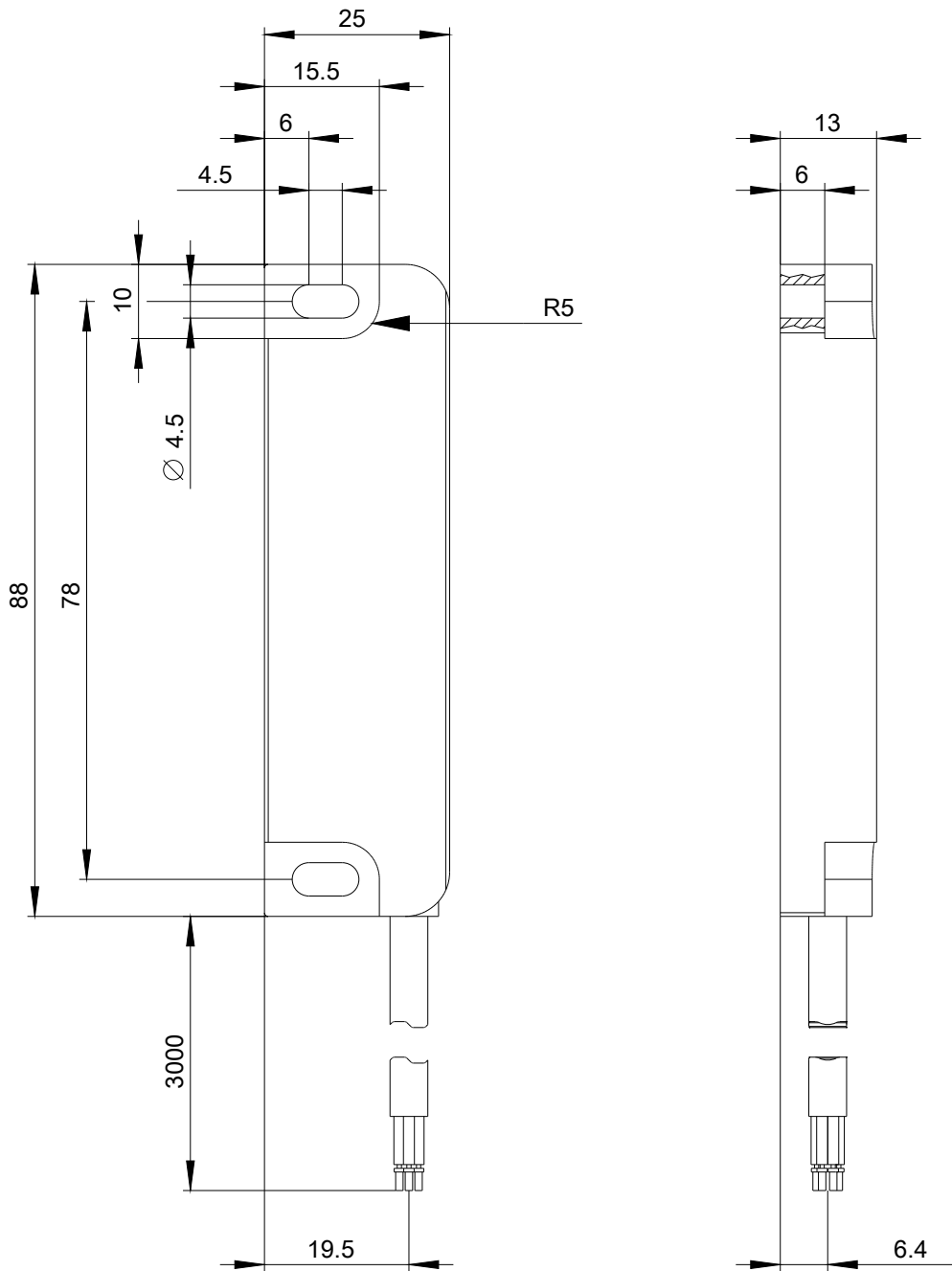
<http://support.automation.siemens.com/WW/CAXorder/default.aspx?lang=en&mlfb=3SE6617-2CA04>

Service&Support (Manuals, Certificates, Characteristics, FAQs,...)

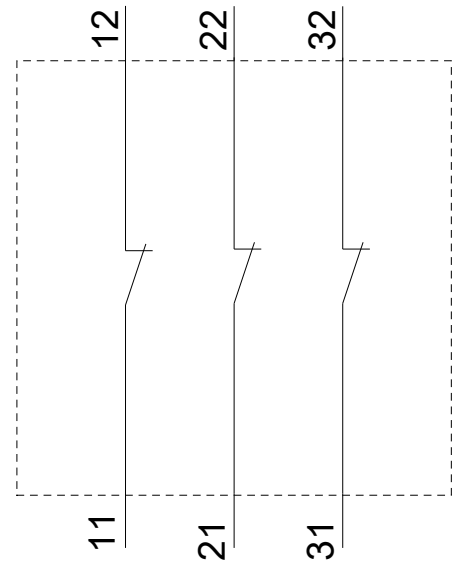
<https://support.industry.siemens.com/cs/ww/en/ps/3SE6617-2CA04>

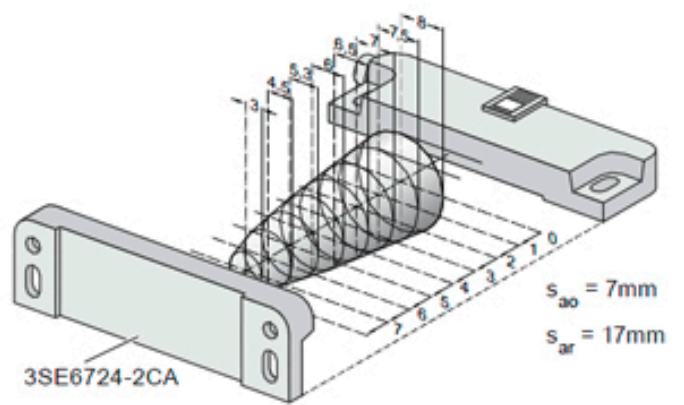
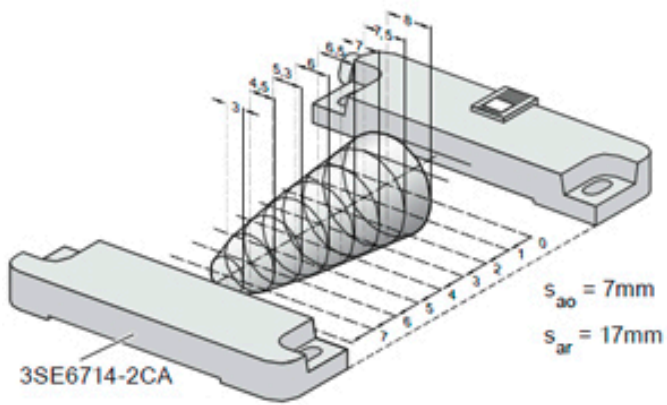
Image database (product images, 2D dimension drawings, 3D models, device circuit diagrams, EPLAN macros, ...)

http://www.automation.siemens.com/bilddb/cax_de.aspx?mlfb=3SE6617-2CA04&lang=en



GN = Green	→	21
YE = Yellow	→	22
GY = Grey	→	11
PK = Pink	→	12
WH = White	→	31
BN = Brown	→	32





last modified:

08/19/2020