

SEISMIC QUANTIFICATION

TO BE COMPLIANT WITH THE SEISMIC REQUIREMENTS OF ASCE/SEI 7, THIS UNIT IS SELF CERTIFIED TO ICS ES AC156, BY SHAKE TABLE QUALIFICATION TESTING. THE ENCLOSURE ABOVE IS 19M.

TRANSFORMER SPECIFICATION

45kVA 3 PHASE 60 HERTZ
 PRIMARY VOLTAGE: 480V DELTA
 SECONDARY VOLTAGE: 208Y/120
 150°C RISE ABOVE 40°C AMBIENT
 220°C INSULATION SYSTEM ALUMINUM WINDING
 APPROXIMATE WEIGHT: 369 LBS
 GUARANTEED SOUND LEVEL: 45 dB
 TYPE 2 ENCLOSURE PAINTED ANSI 49 GREY
 MINIMUM EFFICIENCY 98.40% @ 35% LOADING 75°C
 COMPLYING DOE 2016-10 CFR 431
 (78 FR 23335-APRIL 18, 2013)

NOTES:

- cULus LISTED TO UL1561 AND C22. 2No47, FILE NUMBER E6868.
- ALL UNITS 100% TESTED PRIOR TO SHIPPING TO NEMA ST-20 (2014).
- MANUFACTURED IN ISO 9001 FACILITIES.
- GREEN PREMIUM (RoHS/REACH COMPLAINT, PRODUCT ENVIRONMENTAL PROFILE).
- REGISTERED TO DOE VIA 10 CFR 429 & NRCAN
- MINIMUM CLEARANCE 1/2 INCH PER ALCOVE TESTING UL 1561. SIDES AND REAR FRONT ACCESS MUST COMPLY WITH NEC WORK SPACE REQUIREMENTS. MINIMUM CLEARANCE OF 6.00/[152].
- CONDUIT ENTRY AREA ARE SHOWN SHADED ABOVE, LOCATIONS ARE FRONT SIDES AND FRONT BOTTOM.

DUAL DIMENSIONS: INCHES
MILLIMETERS

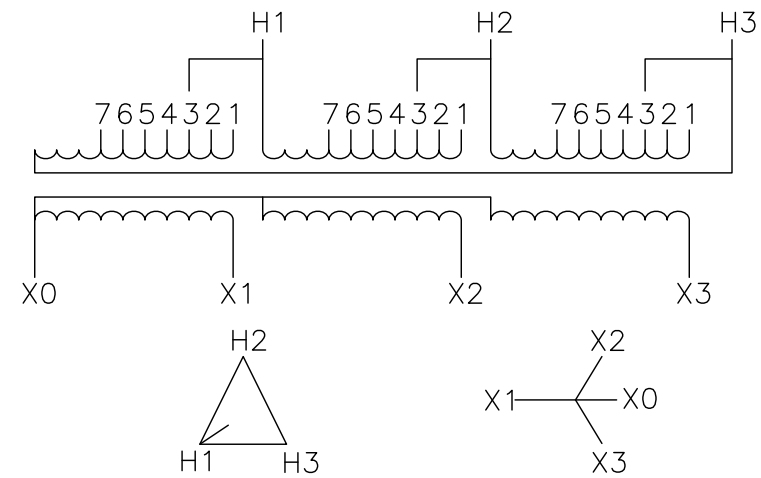
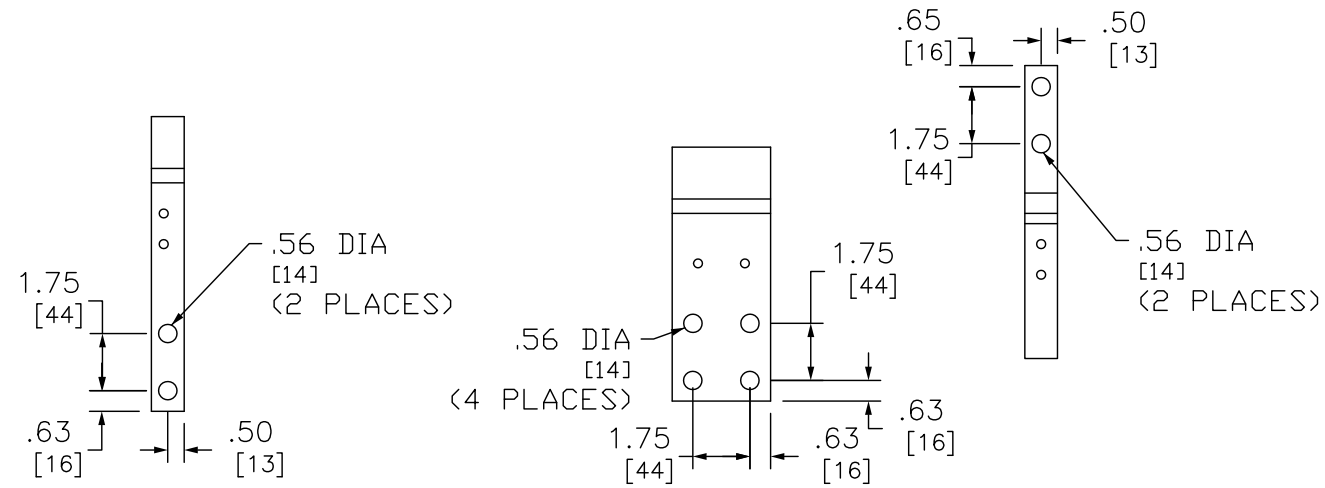
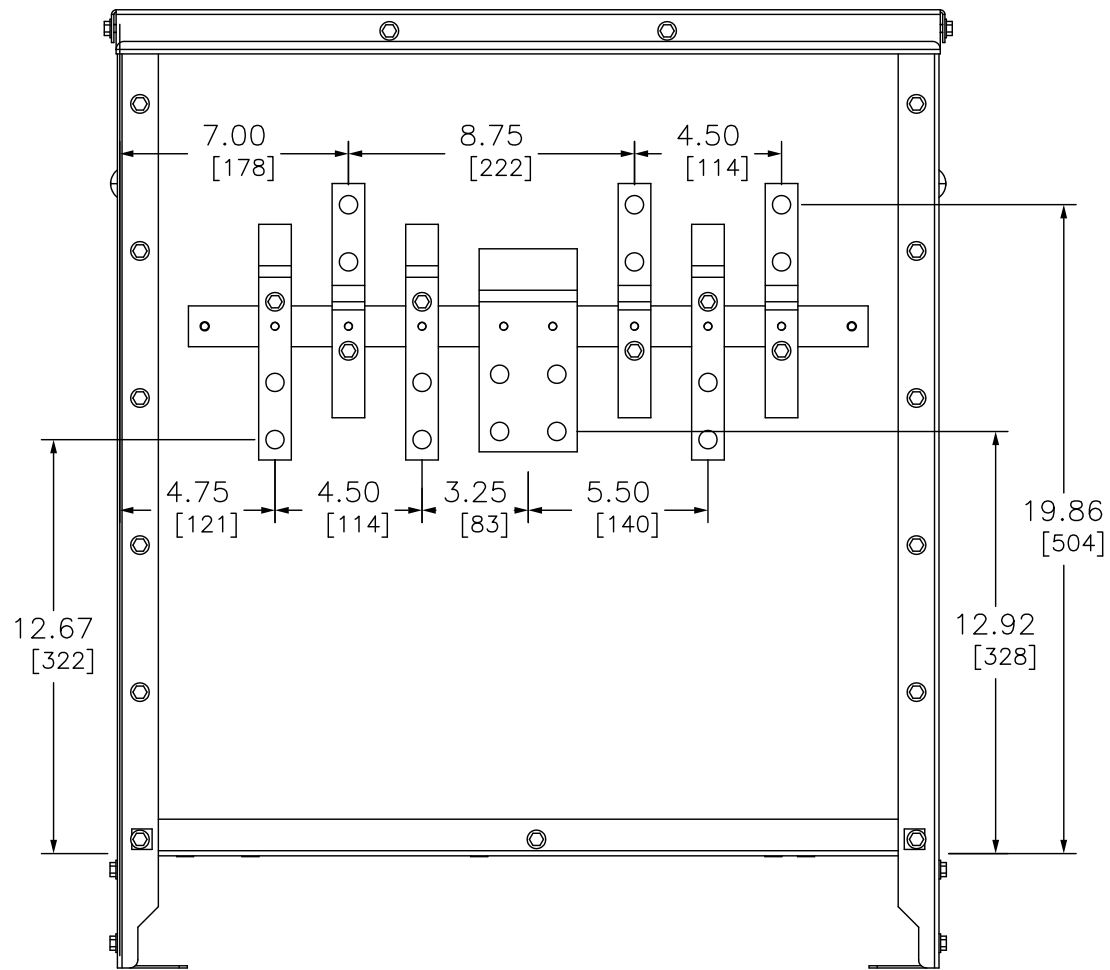
LOW VOLTAGE DISTRIBUTION TRANSFORMER
 DOE 2016
 DRY TYPE TRANSFORMERS CATALOG NO EX45T3H
 3 PHASE, 480 DELTA
 SECONDARY 208Y /120, ALUMINUM



DWG# EXN45T3H PG 1

IN EACH PHASE CONNECT TO TAPS	
PRIMARY VOLTS	2-2.5% FCAN 4-2.5% FCBN
504	1
492	2
480	3
468	4
456	5
444	6
432	7

NOTE: ACTUAL VOLTAGES &
NAMEPLATE VALUES MAY NOT
MATCH VOLTAGE IN TABLE



DUAL DIMENSIONS: INCHES
MILLIMETERS

LOW VOLTAGE DISTRIBUTION TRANSFORMER
DOE 2016
DRY TYPE TRANSFORMERS CATALOG NO EX45T3H
3 PHASE, 480 DELTA
SECONDARY 208Y /120, ALUMINUM

SQUARE D[™]
by Schneider Electric

DWG# EXN45T3H PG 2
NO.