



Main

Range of Product	Modicon M171/M172
Product or Component Type	Additional I/O module
Product Specific Application	HVAC and pumping solution
Total inputs/outputs	14
Discrete input number	4
Discrete output number	1 relay outputs SPDT with independent common 3 relay outputs SPST with same common
Discrete output current	3 A relay
Analogue input number	4 configurable by pair
Analogue output number	2 voltage 0...10 V

Complementary

Number of port	1 CAN port - screw terminal block
Input/output number	2 analog output 4 digital output 4 analog input 4 digital input
Discrete input logic	Sink or source (positive/negative)
Discrete input voltage	24 V AC/DC
Discrete input current	2.5 mA
Input impedance	20 kOhm
Analogue input type	Voltage 0...5 V ratiometric) Current 4...20 mA Voltage 0...10 V NTC temperature probe - 50...110 °C 0.1 °C NTC temperature probe - 40...137 °C 0.1 °C extended) PTC temperature probe - 50...150 °C 0.1 °C
Sensor power supply	12 V DC 85 mA
[Us] rated supply voltage	24 V

Ordering and shipping details

Category	22537-M171 / M172 HVAC CONTROLLERS
Discount Schedule	PC12
GTIN	3606480752704
Returnability	Yes
Country of origin	IT

Packing Units

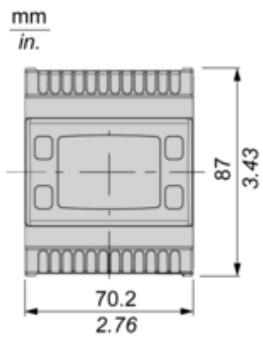
Unit Type of Package 1	PCE
Number of Units in Package 1	1
Package 1 Height	5.12 in (13.000 cm)
Package 1 Width	3.58 in (9.100 cm)
Package 1 Length	7.48 in (19.000 cm)
Package 1 Weight	8.15 oz (231.000 g)
Unit Type of Package 2	S02
Number of Units in Package 2	6
Package 2 Height	5.91 in (15.000 cm)

Package 2 Width	11.81 in (30.000 cm)
Package 2 Length	15.75 in (40.000 cm)
Package 2 Weight	3.75 lb(US) (1.700 kg)

Offer Sustainability

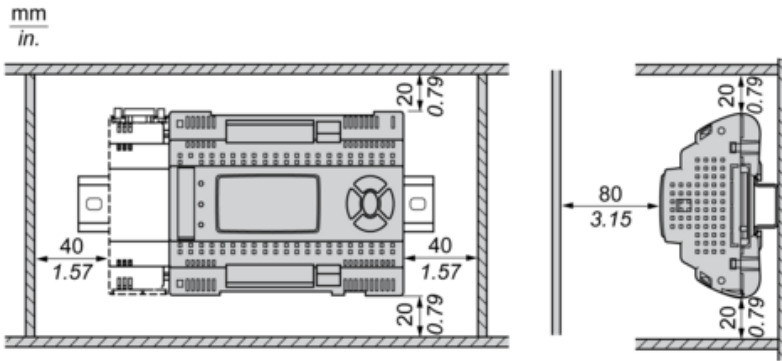
Sustainable offer status	Green Premium product
California proposition 65	WARNING: This product can expose you to chemicals including: Lead and lead compounds, which is known to the State of California to cause cancer and birth defects or other reproductive harm. For more information go to www.P65Warnings.ca.gov
REACH Regulation	REACH Declaration
EU RoHS Directive	Pro-active compliance (Product out of EU RoHS legal scope)
Mercury free	Yes
China RoHS Regulation	China RoHS Declaration
RoHS exemption information	Yes
Environmental Disclosure	Product Environmental Profile
Circularity Profile	End Of Life Information
WEEE	The product must be disposed on European Union markets following specific waste collection and never end up in rubbish bins.
Upgradeability	Upgradeable through digital modules and upgraded components

Dimensions

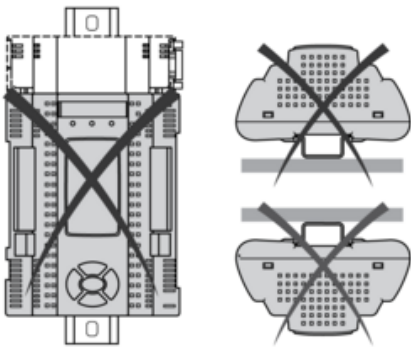


Mounting and Clearance

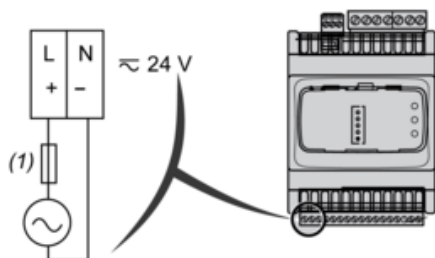
Clearance



Misplacement

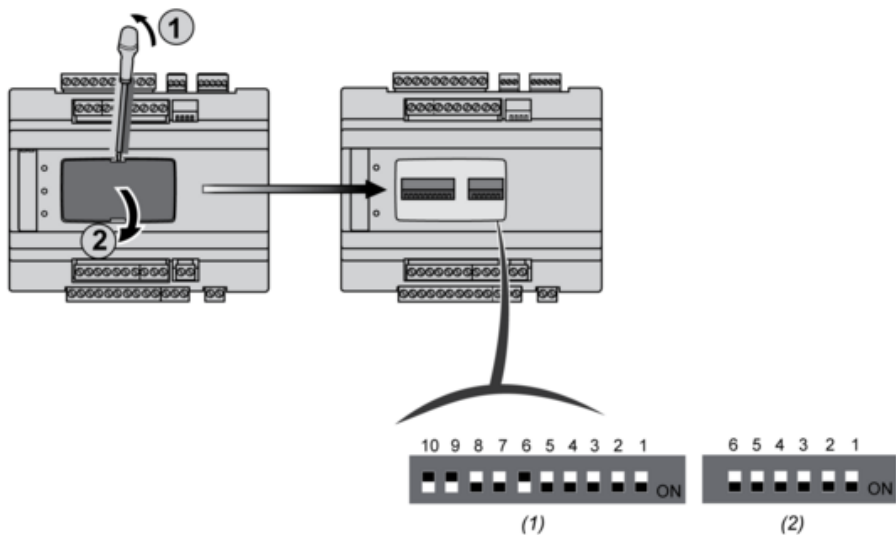


Power Supply



(1) Type T fuse 1.25 A

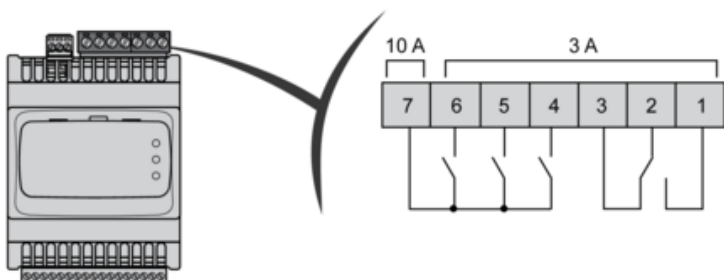
6 - 10 DipSwitches



(1) 10 DIP SWITCH

(2) 6 DIP SWITCH

Digital Outputs



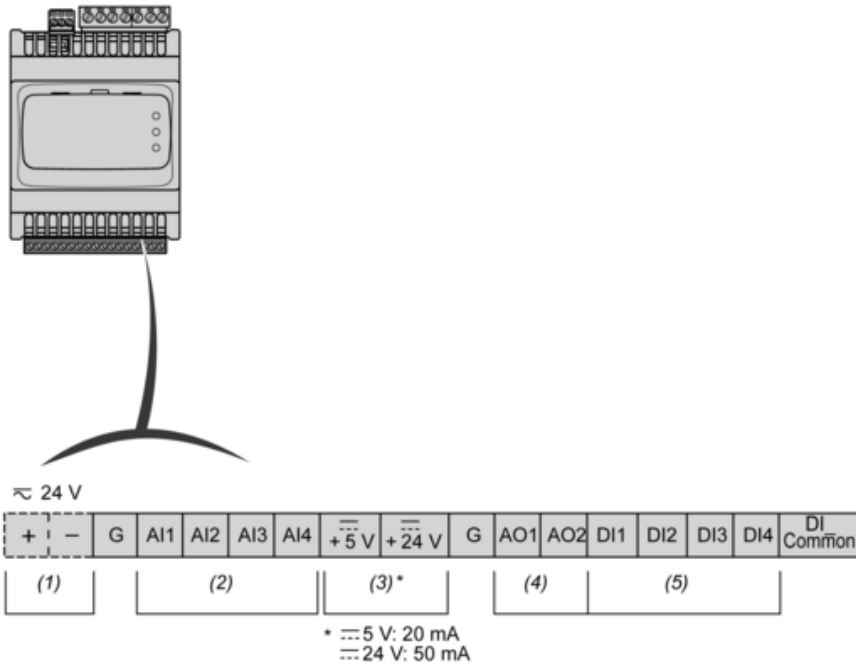
N°	Pin -out
1	DO1-N.O.
2	COMMON DO1
3	DO1-N.C.
4	DO2-N.O.

N°	Pin -out
5	DO3-N.O.
6	DO4-N.O.
7	Common DO2, DO3,DO4

N.C.: Normally Closed

N.O.: Normally Open

Low Voltage I/O



(1) Power Supply

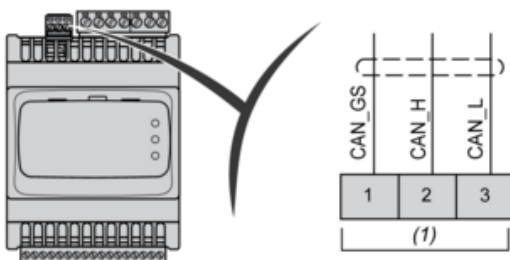
(2) Analog Input

(3) Power Out

(4) Analog Output

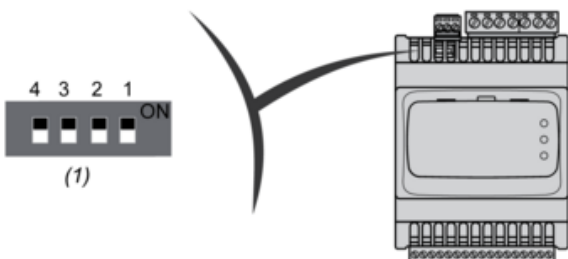
(5) Digital Input

Expansion Bus (CAN)



(1) CAN

4 DipSwitches



(1) LOW Address