

Product data sheet

Characteristics

9001SKR2U

Push-button head, Harmony 9001SK, plastic, recessed, 7 colours choice, 30mm, spring return



Main

| | |
|---------------------------------|----------------------|
| Range of Product | Harmony 9001SK |
| Product or Component Type | Head for push-button |
| Device short name | 9001SK |
| Operator profile | Recessed, unmarked |
| Operator additional information | Plastic guard |

Complementary

| | |
|-------------------------------|-----------------------|
| Mounting diameter | 1.18 in (30 mm) |
| Shape of signaling unit head | Round |
| Type of operator | Spring return |
| Net Weight | 0.11 lb(US) (0.05 kg) |
| Bezel material | Plastic |
| Cap/operator or lens colour | 7 colours choice |
| Operator profile | Recessed |
| Type of operator | Spring return |
| Contacts type and composition | Without contact block |

Ordering and shipping details

| | |
|-------------------|-------------------|
| Category | 21429-9001 SK,SKY |
| Discount Schedule | CS1 |
| GTIN | 785901524380 |
| Returnability | Yes |
| Country of origin | MX |

Packing Units

| | |
|------------------------------|--------------------|
| Unit Type of Package 1 | PCE |
| Number of Units in Package 1 | 1 |
| Package 1 Height | 2.00 in (5.08 cm) |
| Package 1 Width | 2.30 in (5.842 cm) |
| Package 1 Length | 2.90 in (7.366 cm) |
| Package 1 Weight | 1.76 oz (49.895 g) |

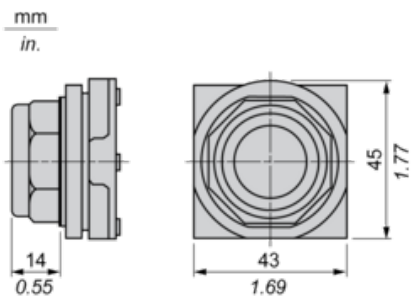
Offer Sustainability

| | |
|----------------------------|---|
| Sustainable offer status | Green Premium product |
| California proposition 65 | WARNING: This product can expose you to chemicals including: Lead and lead compounds, which is known to the State of California to cause cancer and birth defects or other reproductive harm. For more information go to www.P65Warnings.ca.gov |
| REACH Regulation | REACH Declaration |
| REACH free of SVHC | Yes |
| EU RoHS Directive | Pro-active compliance (Product out of EU RoHS legal scope) EU RoHS Declaration |
| Toxic heavy metal free | Yes |
| Mercury free | Yes |
| China RoHS Regulation | China RoHS Declaration |
| RoHS exemption information | Yes |
| Environmental Disclosure | Product Environmental Profile |
| Circularity Profile | No need of specific recycling operations |
| WEEE | The product must be disposed on European Union markets following specific waste collection and never end up in rubbish bins. |

Contractual warranty

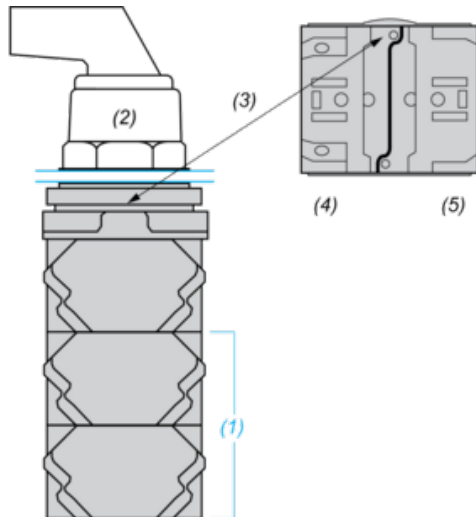
| | |
|----------|-----------|
| Warranty | 18 months |
|----------|-----------|

Dimensions



Contact Block Mounting Position

Top and Rear views



- (1) It is possible to mount up to 3 levels of contacts blocks (maximum of 6 contacts blocks)
- (2) Operator
- (3) Locating notch
- (4) Side 1
- (5) Side 2