



## Main

Breaker Compatibility	Circuit breaker H-Frame 15...250 A Circuit breaker J-Frame 15...250 A
-----------------------	--

## Complementary

Height	31.05 in (788.67 mm)
Width	14.47 in (367.54 mm)
Depth	6.28 in (159.51 mm)

## Environmental

NEMA Degree of Protection	NEMA 3R
---------------------------	---------

## Ordering and shipping details

Category	00030-IND CB ENCL NEMA 1,3R
Discount Schedule	DE1
GTIN	785901607861
Returnability	Yes
Country of origin	MX

## Packing Units

Unit Type of Package 1	PCE
Number of Units in Package 1	1
Package 1 Height	8.50 in (21.59 cm)
Package 1 Width	15.10 in (38.354 cm)
Package 1 Length	32.40 in (82.296 cm)
Package 1 Weight	33.96 lb(US) (15.405 kg)
Unit Type of Package 2	PAL
Number of Units in Package 2	12
Package 2 Height	39.00 in (99.06 cm)
Package 2 Width	40.00 in (101.6 cm)
Package 2 Length	48.00 in (121.92 cm)
Package 2 Weight	441.00 lb(US) (200.034 kg)

The information provided in this documentation contains general descriptions and/or technical characteristics of the products of the products contained herein. This documentation is not intended as a substitute for and is not to be used for determining suitability or reliability of these products for specific user applications. It is the duty of any such user or integrator to perform the appropriate and complete risk analysis, evaluation and testing of the products with respect to the relevant specific application or use thereof. Neither Schneider Electric Industries SAS nor any of its affiliates or subsidiaries shall be responsible or liable for misuse of the information contained herein.

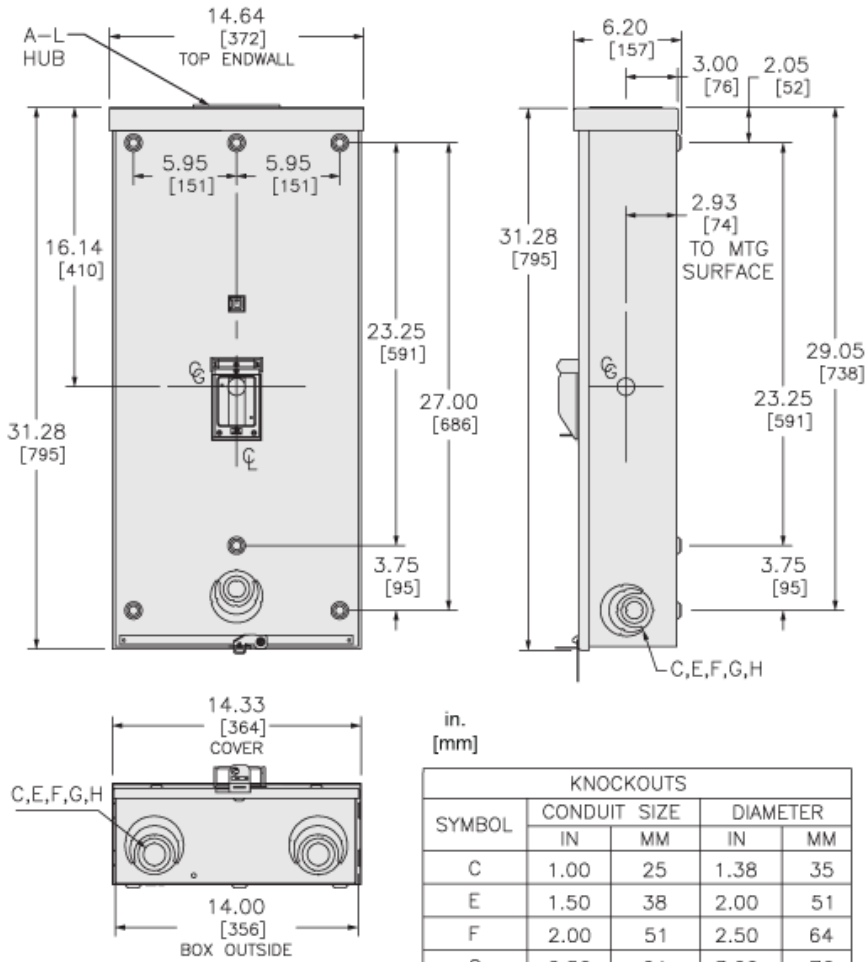
## Offer Sustainability

Sustainable offer status	Green Premium product
California proposition 65	WARNING: This product can expose you to chemicals including: Lead and lead compounds, which is known to the State of California to cause cancer and birth defects or other reproductive harm. For more information go to <a href="http://www.P65Warnings.ca.gov">www.P65Warnings.ca.gov</a>
REACH Regulation	<a href="#">REACH Declaration</a>
EU RoHS Directive	Compliant <a href="#">EU RoHS Declaration</a>
Toxic heavy metal free	Yes
Mercury free	Yes
China RoHS Regulation	<a href="#">China RoHS Declaration</a>
RoHS exemption information	<a href="#">Yes</a>
Environmental Disclosure	<a href="#">Product Environmental Profile</a>
Circularity Profile	No need of specific recycling operations
PVC free	Yes
Halogen content performance	Halogen free plastic parts product

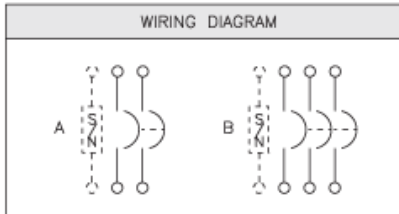
## Contractual warranty

Warranty	18 months
----------	-----------

Approximate Dimensions



Connections and Wiring Diagrams



▲H150R AND J250R NEMA TYPE 3R

CIRCUIT BREAKER CATALOG NO. PREFIX	AMPERE RATING	CONDUCTORS PER PHASE	WIRE SIZE (AWG/KCMIL)		TYPE
			MAX	MIN	
HD, HG HJ, HL, HR	15–150	1	#3/0	#14	AL/CU
JD, JG JJ, JL, JR	150–175	1	#4/0	#4	AL/CU
	200–250	1	350	#3/0	

CATALOG NUMBER	MAXIMUM AMPERE RATING	NUMBER OF TERMINALS	CONDUCTORS PER TERMINAL	WIRE SIZE (AWG/KCMIL)		TYPE
				MAX	MIN	
SN100FA	100A	2	1	#1/0	#14	CU
				#1/0	#12	AL
SN400LA	250A	2	1 OR 2	#600	#1	AL OR CU
		2	1	#300	#4	AL OR CU
PK0GTJ250	250A	2	1	#300	#6	AL OR CU
PK0GTH150	150A	2	1	#2	#14	AL OR CU

FOR 200% NEUTRALS USE SN400LA (AMP RANGE 100 TO 250, CU WIRE ONLY).

CIRCUIT BREAKER CATALOG NO PREFIX	WIRING DIAG	AMPERE RATING	UL LISTED INTERRUPTING RATING RMS SYMMETRICAL AMPERES							
			AC VOLTAGE				DC VOLTAGE			
			240	480Y/277	480	600Y/347	600	125	250	500
▲HD JD	A,B	15–150	25K	18K	18K	14K	14K	20K	20K	–
	A,B	150–250	25K	18K	18K	14K	14K	20K	20K	–
▲HG JG	A,B	15–150	65K	35K	35K	18K	18K	20K	20K	–
	A,B	150–250	65K	35K	35K	18K	18K	20K	20K	–
HJ JJ	A,B	15–150	100K	65K	65K	25K	25K	20K	20K	–
	A,B	150–250	100K	65K	65K	25K	25K	20K	20K	–
HL JL	A,B	15–150	125K	65K	65K	25K	25K	20K	20K	–
	A,B	150–250	125K	65K	65K	25K	25K	20K	20K	–
HR JR	A,B	15–150	125K	65K	65K	25K	25K	20K	20K	–
	A,B	150–250	125K	65K	65K	25K	25K	20K	20K	–

▲H150R SUITABLE ONLY FOR 2 POLE HD OR HG BREAKERS.