



## Main

Range of Product	Harmony 9001SK
Product or Component Type	Head for push-button
Device short name	9001SK
Operator profile	Flush, unmarked
Operator additional information	Plastic guard

## Complementary

Mounting diameter	1.18 in (30 mm)
Shape of signaling unit head	Round
Type of operator	Spring return
Net Weight	0.11 lb(US) (0.05 kg)
Bezel material	Plastic
Cap/operator or lens colour	7 colours choice
Operator profile	Flush
Type of operator	Spring return
Contacts type and composition	Without contact block

## Ordering and shipping details

Category	21429-9001 SK,SKY
Discount Schedule	CS1
GTIN	785901458135
Returnability	Yes
Country of origin	MX

## Packing Units

Unit Type of Package 1	PCE
Number of Units in Package 1	1
Package 1 Height	2.80 in (7.112 cm)
Package 1 Width	2.00 in (5.08 cm)
Package 1 Length	2.20 in (5.588 cm)
Package 1 Weight	1.76 oz (49.895 g)
Unit Type of Package 2	PAL
Number of Units in Package 2	4000
Package 2 Height	40.00 in (101.6 cm)
Package 2 Width	40.00 in (101.6 cm)
Package 2 Length	48.00 in (121.92 cm)
Package 2 Weight	480.00 lb(US) (217.724 kg)

## Offer Sustainability

Sustainable offer status	Green Premium product
California proposition 65	WARNING: This product can expose you to chemicals including: Lead and lead compounds, which is known to the State of California to cause cancer and birth defects or other reproductive harm. For more information go to <a href="http://www.P65Warnings.ca.gov">www.P65Warnings.ca.gov</a>
REACH Regulation	<a href="#">REACH Declaration</a>
REACH free of SVHC	Yes
EU RoHS Directive	Pro-active compliance (Product out of EU RoHS legal scope) <a href="#">EU RoHS Declaration</a>
Toxic heavy metal free	Yes
Mercury free	Yes
China RoHS Regulation	<a href="#">China RoHS Declaration</a>
RoHS exemption information	<a href="#">Yes</a>
Environmental Disclosure	<a href="#">Product Environmental Profile</a>
Circularity Profile	No need of specific recycling operations
WEEE	The product must be disposed on European Union markets following specific waste collection and never end up in rubbish bins.

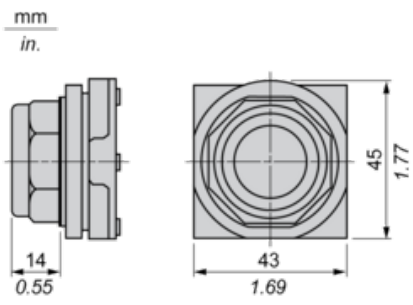
## Contractual warranty

Warranty	18 months
----------	-----------

---

Dimensions

---

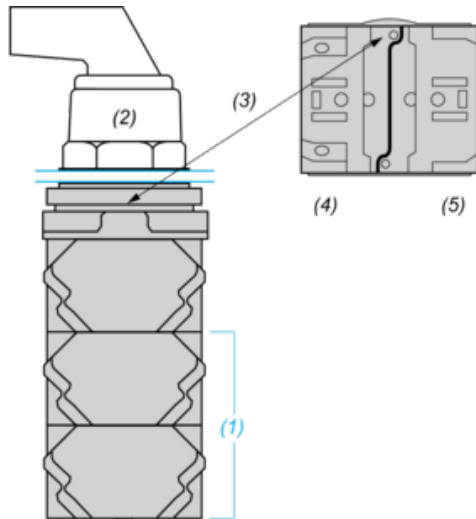


---

Contact Block Mounting Position

---

Top and Rear views



(1) It is possible to mount up to 3 levels of contacts blocks (maximum of 6 contacts blocks)

(2) Operator

(3) Locating notch

(4) Side 1

(5) Side 2