

HMISTW6500

touch panel screen, Harmony ST6 , 10inch wide display, 2Ethernet, USB host and device, 24V DC



Main

| | |
|---------------------------|----------------------------|
| Range of Product | Harmony ST6 |
| Product or Component Type | Touch panel screen |
| Software Designation | Web interface for operator |
| Processor name | ARM Cortex-A8 |

Complementary

| | |
|----------------------------|------------------------------------------------------------------------------------------------------------------------------------------------------------------------------------------------------------------------------------------------------------------------------------------------------------------------------------|
| Display size | 10 inch |
| Display Type | Colour TFT LCD |
| Display colour | 16 million colours |
| Display Resolution | 1024 x 600 pixels WSVGA |
| Touch panel | Single touch analogue resistive |
| Backlight lifespan | 50000 hours white |
| Brightness | 16 levels |
| Character font | ASCII ASCII (European characters) Katakana |
| [Us] rated supply voltage | 24 V DC +/- 20 %) |
| Inrush current | 30 A |
| Local signalling | Status LED green, steady offline Status LED green, steady operating Status LED green, flashing operating Status LED green, faded stand-by Status LED orange, flashing software starting up Status LED red, steady power supply (ON) Status LED red, flashing operating Status LED red, off power supply (OFF) |
| Power Consumption in W | 12.6 W |
| Processor frequency | 800 MHz |
| Port Ethernet | 10/100BASE |
| Memory description | 512 MB device memory 512 MB backup memory 128 kB user data memory |
| Integrated connection type | 1 USB 2.0 type Aback 1 Ethernet - female RJ45bottom |
| Supply | External supply |
| Realtime clock | Built-in 0...50 °C Built-in 10...90 % RH |
| Fixing mode | By 4 screws 1.6...5 mm thick panel UL 61010-2-201 By 4 screws IEC 61131-2 By 4 screws IEC 61000-6-2 |
| Enclosure Material | PC |
| Front material | Aluminium |
| Marking | CE |

The information provided in this documentation contains general descriptions and/or technical characteristics of the performance of the products contained herein. This documentation is not intended as a substitute for and is not to be used for determining suitability or reliability of these products for specific user applications. It is the duty of any such user or integrator to perform the appropriate and complete risk analysis, evaluation and testing of the products with respect to the relevant specific application or use thereof. Neither Schneider Electric Industries SAS nor any of its affiliates or subsidiaries shall be responsible or liable for misuse of the information contained herein.

| | |
|--------------------|----------------------------------|
| Cut-out dimensions | 255 x 185 mm panel cut dimension |
| Height | 7.99 in (203 mm) |
| Width | 10.75 in (273 mm) |
| Depth | 1.85 in (47 mm) |
| Net Weight | 2.87 lb(US) (1.3 kg) |

Environment

| | |
|---------------------------------------|-----------------------------------------------------------------------------------------------------------------------------------------------------------------------------------------------------------------------------------------------------------------------------------------------------------------------------------------------------------------------------------------------|
| Immunity to microbreaks | 10 ms |
| Standards | IEC 61000-6-4 IEC 61000-6-2 IEC 61131-2 UL 61010-2-201 CSA C22.2 No 61010-2-201 |
| Product Certifications | CSA[RETURN]CE[RETURN]UKCA |
| Directives | 2014/35/EU - low voltage directive 2014/30/EU - electromagnetic compatibility |
| Ambient Air Temperature for Operation | 32...122 °F (0...50 °C) |
| Ambient Air Temperature for Storage | -4...140 °F (-20...60 °C) |
| Relative humidity | 10...90 % non-condensing |
| Operating altitude | 6561.68 ft (2000 m) |
| IP degree of protection | IP20 IEC 61131-2 rear panel) IP65 IEC 61131-2 front panel) |
| NEMA degree of protection | NEMA 4 front panel (indoor use) NEMA 13 front panel (in enclosure) |
| Shock resistance | 147 m/s ² 11 ms X, Y, Z directions for 3 times)IEC 61131-2 |
| Vibration resistance | +/- 3.5 mm 5...9 Hz) X, Y, Z directions for 10 cycles (approx. 100 min) IEC 61131-2 9.8 m/s ² 9...150 Hz) |
| Electromagnetic compatibility | Electrical fast transient/burst immunity test - test level: 2 kV (power ports) conforming to IEC 61000-4-4 Electrical fast transient/burst immunity test - test level: 1 kV (signal ports) Electrostatic discharge immunity test - test level: 6 kV (contact discharge) conforming to IEC 61000-4-2 level 3 Electrostatic discharge immunity test - test level: 8 kV (air discharge) |

Ordering and shipping details

| | |
|-------------------|-------------------------|
| Category | 22565-HARMONY BASIC HMI |
| Discount Schedule | MC2 |
| GTIN | 3606489918095 |
| Returnability | No |
| Country of origin | US |

Packing Units

| | |
|------------------------------|------------------------|
| Unit Type of Package 1 | PCE |
| Number of Units in Package 1 | 1 |
| Package 1 Height | 1.85 in (4.7 cm) |
| Package 1 Width | 7.99 in (20.3 cm) |
| Package 1 Length | 10.75 in (27.3 cm) |
| Package 1 Weight | 3.69 lb(US) (1.675 kg) |
| Unit Type of Package 2 | S04 |
| Number of Units in Package 2 | 4 |
| Package 2 Height | 11.81 in (30 cm) |
| Package 2 Width | 15.75 in (40 cm) |
| Package 2 Length | 23.62 in (60 cm) |
| Package 2 Weight | 17.97 lb(US) (8.15 kg) |
| Unit Type of Package 3 | P12 |
| Number of Units in Package 3 | 64 |
| Package 3 Height | 43.31 in (110 cm) |
| Package 3 Width | 31.50 in (80 cm) |

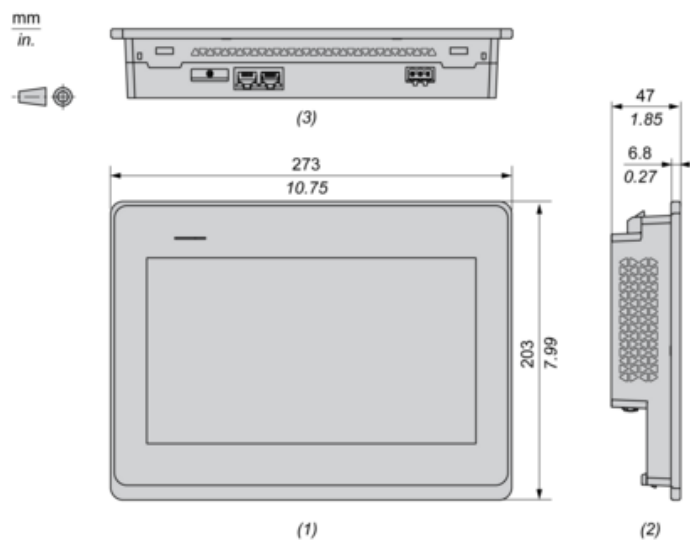
| | |
|------------------|--------------------------|
| Package 3 Length | 47.24 in (120 cm) |
| Package 3 Weight | 305.12 lb(US) (138.4 kg) |

Offer Sustainability

| | |
|----------------------------|---------------------------------------------------------------------------------------------------------------------------------------------------------------------------------------------------------------------------------------------------------------------------------------------|
| Sustainable offer status | Green Premium product |
| California proposition 65 | WARNING: This product can expose you to chemicals including: Lead and lead compounds, which is known to the State of California to cause cancer and birth defects or other reproductive harm. For more information go to www.P65Warnings.ca.gov |
| REACH Regulation | REACH Declaration |
| EU RoHS Directive | Compliant with Exemptions |
| Mercury free | Yes |
| China RoHS Regulation | China RoHS Declaration |
| RoHS exemption information | Yes |
| Environmental Disclosure | Product Environmental Profile |
| WEEE | The product must be disposed on European Union markets following specific waste collection and never end up in rubbish bins. |

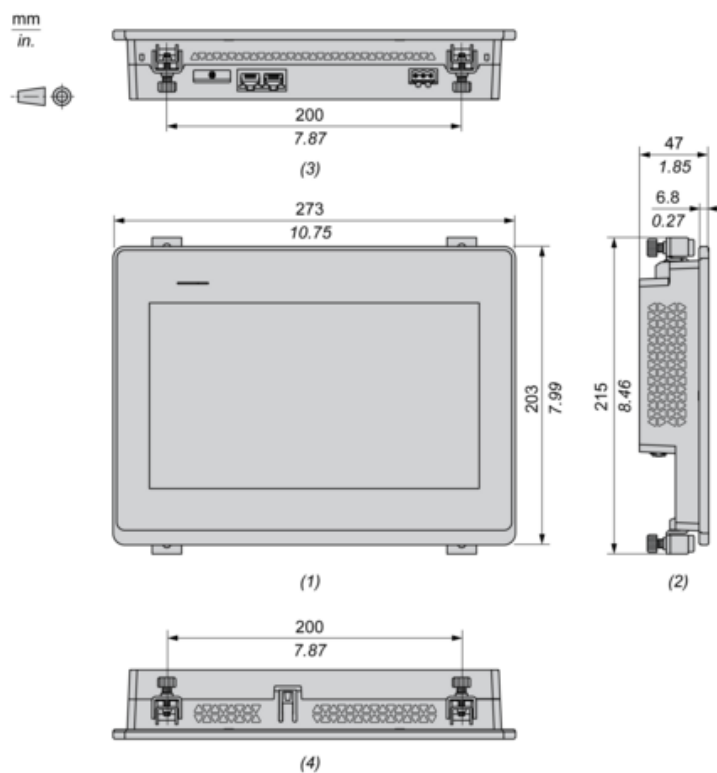
Dimensions

External Dimensions



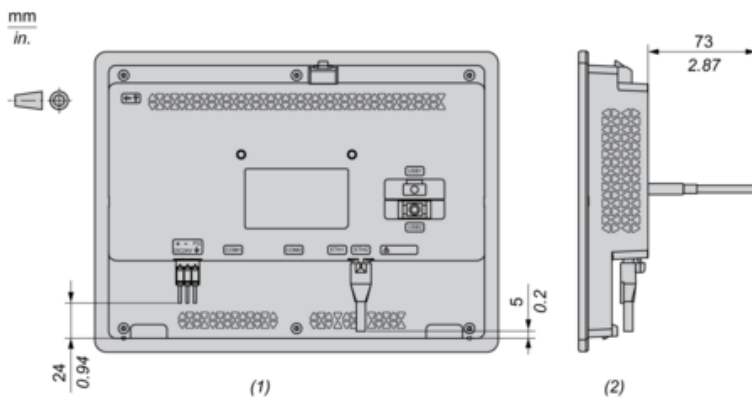
- (1) : Front
- (2) : Left
- (3) : Bottom

Dimensions with Installation Fasteners



- (1) : Front
- (2) : Left
- (3) : Bottom
- (4) : Top

Dimensions with Cables

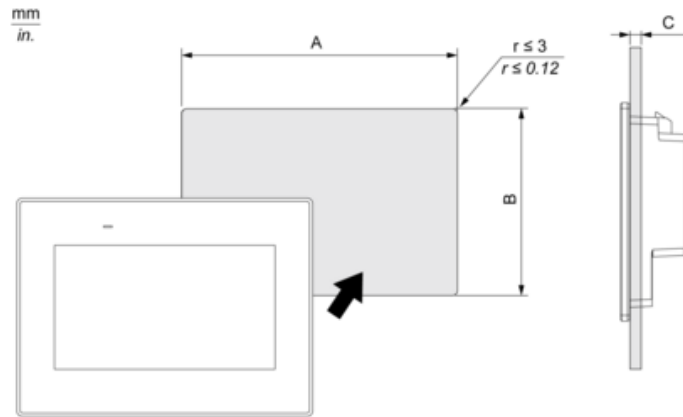


(1) : Rear

(2) : Right

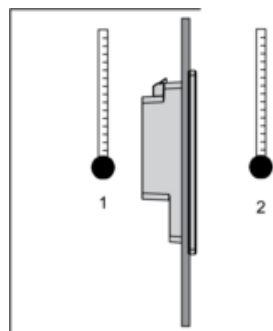
Mounting

Panel Cut Dimensions

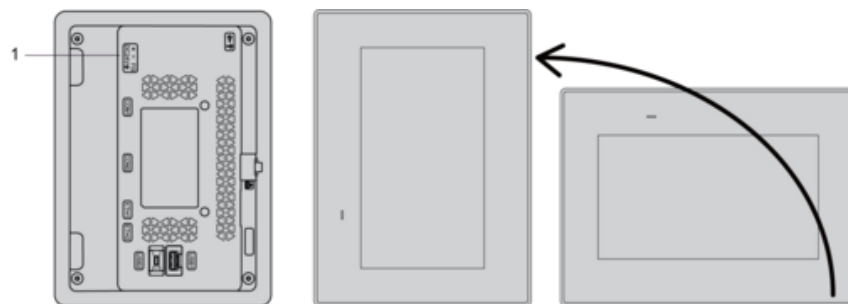


| A | | B | | C | |
|--------------|-------------------|--------------|------------------|---------|------------|
| mm | in. | mm | in. | mm | in. |
| 255 (+1, -0) | 10.04 (+0.04, -0) | 185 (+1, -0) | 7.28 (+0.04, -0) | 1.6...5 | 0.06...0.2 |

Installation Requirements

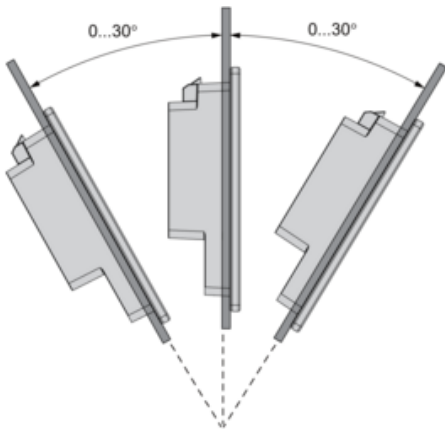


- 1 : Internal temperature
- 2 : External temperature



- 1 : Power connector

Mounting Angle



Clearance

