

## Main

|                                 |                       |
|---------------------------------|-----------------------|
| Range of Product                | Harmony 9001SK        |
| Product or Component Type       | Push-button           |
| Device short name               | 9001SK                |
| Type of operator                | Spring return         |
| Operator profile                | Black flush, unmarked |
| Operator additional information | Plastic guard         |

## Complementary

|   |   |
|---|---|
| Bezel material                              | Plastic   |
| Mounting diameter                           | 1.18 in (30 mm)   |
| Shape of signaling unit head                | Octagonal   |
| Contacts type and composition               | 1 C/O   |
| Contact operation                           | Standard  |
| Connections - terminals                     | Screw clamp terminals 1 x 0.22...2 x 1.5 mm <sup>2</sup> EN/IEC 60947-1   |
| Tightening torque                           | 7.08 lbf.in (0.8 N.m) EN/IEC 60947-1  |
| Shape of screw head                         | Cross slotted   |
| Mechanical durability                       | 5000000 cycles  |
| Operating position                          | Any position  |
| [Ie] rated operational current              | 3 A 240 V, AC-15, A600-Q600<br>0.55 A 125 V, DC-13, A600-Q600   |
| [Ui] rated insulation voltage               | 250 V 3)EN/IEC 60947-1  |
| [Uimp] rated impulse withstand voltage      | 2.5 kV EN/IEC 60947-1   |
| Contacts material                           | Silver alloy contacts   |
| Positive opening                            | Without   |
| Short-circuit protection                    | 10 A cartridge fuse EN/IEC 60947-5-1  |
| [Ith] conventional free air thermal current | 10 A  |
| [Icm] rated short-circuit making capacity   | 12 KA 600 V AC-15, 7200 VA<br>15 KA 480 V AC-15, 7200 VA<br>30 KA 240 V AC-15, 7200 VA<br>60 KA 120 V AC-15, 7200 VA<br>0.1 KA 600 V DC-13<br>0.27 KA 250 V DC-13<br>0.55 kA 125 V DC-13  |
| Rated breaking capacity                     | 3 KA 240 V AC-15, 720 VA<br>6 KA 120 V AC-15, 720 VA<br>6 KA 125 V DC-13, 720 VA<br>1.2 KA 600 V AC-15, 720 VA<br>1.5 KA 480 V AC-15, 720 VA<br>0.1 KA 600 V DC-13<br>0.27 kA 250 V DC-13 |
| Net Weight                                  | 0.19 lb(US) (0.086 kg)  |
| Device presentation                         | Complete product  |
| Cap/operator or lens colour                 | Black   |
| Operator profile                            | Flush   |
| Type of operator                            | Spring return   |
| Size  | 30 mm   |

## Environment

|                                       |  |
|---------------------------------------|--|
| Standards                             | EN/IEC 60947-5-4<br>UL 508<br>JIS C 4520<br>CSA C22.2 No 14<br>EN/IEC 60947-1<br>EN/IEC 60947-5-1<br>JIS C 852 |
| Product Certifications                | NEMA[RETURN]UL 508   |
| Protective treatment                  | TC   |
| Ambient Air Temperature for Storage   | -40...158 °F (-40...70 °C)   |
| Ambient Air Temperature for Operation | -13...158 °F (-25...70 °C)   |
| Vibration resistance                  | 7 gn 2...500 Hz)IEC 60068-2-6  |
| Shock resistance                      | 50 gn IEC 60068-2-27   |
| Electrical shock protection class     | Class II IEC 61140   |
| IP degree of protection               | IP66 IEC 60529   |
| NEMA degree of protection             | NEMA 1<br>NEMA 12<br>NEMA 13<br>NEMA 2<br>NEMA 3<br>NEMA 3R<br>NEMA 4<br>NEMA 4X                               |

## Ordering and shipping details

|                   |                   |
|-------------------|-------------------|
| Category          | 21429-9001 SK,SKY |
| Discount Schedule | CS1               |
| GTIN              | 785901848813      |
| Returnability     | Yes               |
| Country of origin | MX                |

## Packing Units

|                              |                      |
|------------------------------|----------------------|
| Unit Type of Package 1       | PCE                  |
| Number of Units in Package 1 | 1                    |
| Package 1 Height             | 2.20 in (5.6 cm)     |
| Package 1 Width              | 3.62 in (9.2 cm)     |
| Package 1 Length             | 1.85 in (4.7 cm)     |
| Package 1 Weight             | 2.65 oz (75.0 g)     |
| Unit Type of Package 2       | S01                  |
| Number of Units in Package 2 | 11                   |
| Package 2 Height             | 5.91 in (15 cm)      |
| Package 2 Width              | 5.91 in (15 cm)      |
| Package 2 Length             | 15.75 in (40 cm)     |
| Package 2 Weight             | 2.20 lb(US) (1.0 kg) |

## Offer Sustainability

|                           |   |
|---------------------------|---|
| Sustainable offer status  | Green Premium product   |
| California proposition 65 | WARNING: This product can expose you to chemicals including: Lead and lead compounds, which is known to the State of California to cause cancer and birth defects or other reproductive harm. For more information go to <a href="http://www.P65Warnings.ca.gov">www.P65Warnings.ca.gov</a> |
| REACH Regulation          | <a href="#">REACH Declaration</a>   |
| REACH free of SVHC        | Yes   |
| EU RoHS Directive         | Pro-active compliance (Product out of EU RoHS legal scope) <a href="#">EU RoHS Declaration</a>  |
| Toxic heavy metal free    | Yes   |
| Mercury free              | Yes   |

|                            |  |
|----------------------------|--|
| China RoHS Regulation      | <a href="#">China RoHS Declaration</a>   |
| RoHS exemption information | <a href="#">Yes</a>  |
| Environmental Disclosure   | <a href="#">Product Environmental Profile</a>  |
| Circularity Profile        | No need of specific recycling operations   |
| WEEE                       | The product must be disposed on European Union markets following specific waste collection and never end up in rubbish bins. |

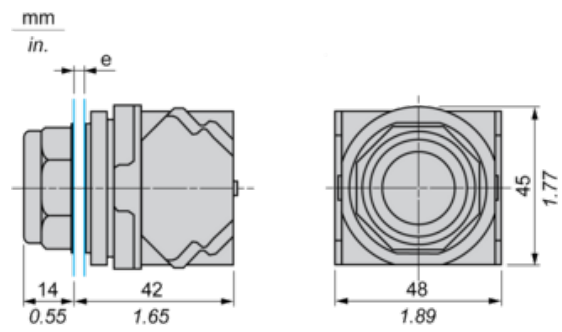
### Contractual warranty

|          |           |
|----------|-----------|
| Warranty | 18 months |
|----------|-----------|

---

Dimensions

---



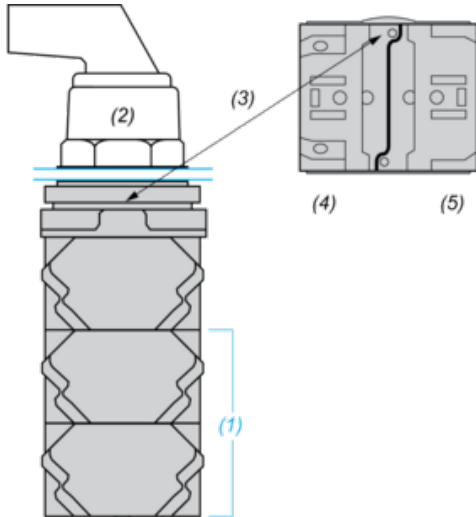
e panel thickness: 1 to 6 mm / 0.04 to 0.24 in.

---

Contact Block Mounting Position

---

Top and Rear views



- (1) It is possible to mount up to 3 levels of contacts blocks (maximum of 6 contacts blocks)
- (2) Operator
- (3) Locating notch
- (4) Side 1
- (5) Side 2