



Main

Range of Product	Harmony 9001SK
Product or Component Type	Pilot light
Device short name	9001SK
Lens type	Domed plastic
Light block supply	Direct 120 V AC/DC

Complementary

Bezel material	Plastic
Mounting diameter	1.18 in (30 mm)
Shape of signaling unit head	Round
Cap/operator or lens colour	Green
Light source	LED
Bulb base	BA 9s
[Us] rated supply voltage	120 V AC/DC
Tightening torque	7.08 lbf.in (0.8 N.m) EN/IEC 60947-1
Shape of screw head	Cross slotted
Connections - terminals	Screw clamp terminals, 1 x 0.22...2 x 1.5 mm ² EN/IEC 60947-1
[Ith] conventional free air thermal current	10 A
Short-circuit protection	10 A cartridge fuse EN/IEC 60947-5-1
[Ui] rated insulation voltage	250 V 2)EN/IEC 60947-1
[Uimp] rated impulse withstand voltage	2.5 kV EN/IEC 60947-1
Operating position	Any position
CAD overall width	2.13 in (54 mm)
CAD overall height	2.76 in (70 mm)
CAD overall depth	1.65 in (42 mm)
Net Weight	0.18 lb(US) (0.082 kg)
Device presentation	Complete product
Lens type	Domed
[Us] rated supply voltage	120 V
Light source colour	Green
Lens material	Polycarbonate
Size	30 mm
Light source	LED

Environment

Electrical shock protection class	Class II IEC 61140
Protective treatment	TC
IP degree of protection	IP66 IEC 60529
NEMA degree of protection	NEMA 1 NEMA 12 NEMA 13 NEMA 2 NEMA 3 NEMA 3R NEMA 4 NEMA 4X
Vibration resistance	7 gn 2...500 Hz)IEC 60068-2-6
Shock resistance	50 gn IEC 60068-2-27
Ambient Air Temperature for Operation	-13...158 °F (-25...70 °C)
Ambient Air Temperature for Storage	-40...158 °F (-40...70 °C)
Standards	JIS C 852 UL 508 JIS C8201-5-1 EN/IEC 60947-5-1 CSA C22.2 No 14 EN/IEC 60947-1 EN/IEC 60947-5-4 JIS C8201-1
Product Certifications	UL 508[RETURN]NEMA

Ordering and shipping details

Category	21429-9001 SK,SKY
Discount Schedule	CS1
GTIN	785901751793
Returnability	Yes
Country of origin	MX

Packing Units

Unit Type of Package 1	PCE
Number of Units in Package 1	1
Package 1 Height	2.30 in (5.842 cm)
Package 1 Width	1.80 in (4.572 cm)
Package 1 Length	3.70 in (9.398 cm)
Package 1 Weight	3.04 oz (86.183 g)

Offer Sustainability

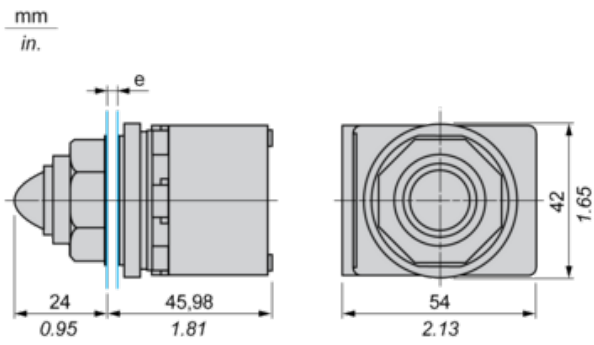
Sustainable offer status	Green Premium product
California proposition 65	WARNING: This product can expose you to chemicals including: Lead and lead compounds, which is known to the State of California to cause cancer and birth defects or other reproductive harm. For more information go to www.P65Warnings.ca.gov
REACH Regulation	REACH Declaration
REACH free of SVHC	Yes
EU RoHS Directive	Pro-active compliance (Product out of EU RoHS legal scope) EU RoHS Declaration
Toxic heavy metal free	Yes
Mercury free	Yes
China RoHS Regulation	China RoHS Declaration
RoHS exemption information	Yes
Environmental Disclosure	Product Environmental Profile

Circularity Profile	End Of Life Information
WEEE	The product must be disposed on European Union markets following specific waste collection and never end up in rubbish bins.

Contractual warranty

Warranty	18 months
----------	-----------

Dimensions



e panel thickness: 1 to 6 mm / 0.04 to 0.24 in.