



Main

Range of Product	Modicon M221
Product or Component Type	Graphic display
Range Compatibility	Modicon M221
Current consumption	40 mA 5 V DC via RJ45 connector
Power Consumption in W	1 W
Display Type	Backlit colour STN LCD
Display colour	Monochrome
Display Resolution	240 x 160 pixels
Number of key	4 configurable 6 for navigation

Complementary

Standards	IEC 61131-2 IEC 61010-2-201
Product Certifications	cULus
Marking	CE
Mounting location	Front cabinet 0.87 in (22 mm) hole Bottom of cabinet 0.87 in (22 mm) hole mounting accessory
Connector type	RJ45 communication and power supply
Height	4.96 in (126 mm)
Width	3.15 in (80 mm)
Depth	2.48 in (63 mm)
Net Weight	0.37 lb(US) (0.17 kg)

Environment

Ambient Air Temperature for Operation	5...122 °F (-15...50 °C)
Operating altitude	0...6561.68 ft (0...2000 m)
Storage altitude	0.00...6561.68 ft (0...2000 m)
Environmental characteristic	Corrosive gas free
Relative humidity	95 %, non-condensing transport) 95 %, non-condensing storage) 95 %, non-condensing operation)
Ambient Air Temperature for Storage	-40...158 °F (-40...70 °C)
IP degree of protection	Front face IP65 Back part IP20
Pollution degree	2 IEC 60664-1
Vibration resistance	1.5 mm 3...150 Hz) 2 gn

Shock resistance	15 gn 11 ms
Electromagnetic compatibility	<p>Electrostatic discharge - test level: 8 kV (air discharge) conforming to IEC 61000-4-2</p> <p>Electrostatic discharge - test level: 4 kV (contact discharge) conforming to IEC 61000-4-2</p> <p>Radiated radio-frequency electromagnetic field immunity test - test level: 10 V/m (80 MHz...1 GHz) conforming to IEC 61000-4-3</p> <p>Radiated radio-frequency electromagnetic field immunity test - test level: 3 V/m (1.4...2 GHz) conforming to IEC 61000-4-3</p> <p>Radiated radio-frequency electromagnetic field immunity test - test level: 1 V/m (2...3 GHz) conforming to IEC 61000-4-3</p> <p>Magnetic field at power frequency - test level: 30 A/m (50/60 Hz) conforming to IEC 61000-4-8</p> <p>Electrical fast transient/burst immunity test - test level: 1 kV conforming to IEC 61000-4-4</p> <p>Surge immunity test - test level: 0.5 kV (common mode) conforming to IEC 61000-4-5</p> <p>Surge immunity test - test level: 0.5 kV (differential mode) conforming to IEC 61000-4-5</p> <p>Conducted RF disturbances - test level: 10 Vrms (0.15...80 MHz) conforming to IEC 61000-4-6</p> <p>Disturbing field emission - test level: 10...150 kHz (power lines (DC)) conforming to IEC 55011</p> <p>Disturbing field emission - test level: 120...69 dBµV/m QP (power lines (DC)) conforming to IEC 55011</p> <p>Disturbing field emission - test level: 150...1500 kHz (power lines (DC)) conforming to IEC 55011</p> <p>Disturbing field emission - test level: 1.5...30 kHz (power lines (DC)) conforming to IEC 55011</p> <p>Disturbing field emission - test level: 30...230 MHz class A (10 m) conforming to IEC 55011</p> <p>Disturbing field emission - test level: 230 MHz...1 GHz class A (10 m) conforming to IEC 55011</p> <p>Disturbing field emission - test level: 79...63 dBµV/m QP (power lines (DC)) conforming to IEC 55011</p> <p>Disturbing field emission - test level: 63 dBµV/m QP (power lines (DC)) conforming to IEC 55011</p> <p>Disturbing field emission - test level: 40 dBµV/m QP class A (10 m) conforming to IEC 55011</p> <p>Disturbing field emission - test level: 47 dBµV/m QP class A (10 m) conforming to IEC 55011</p>

Ordering and shipping details

Category	22533-M2XX PLC & ACCESSORIES
Discount Schedule	MSX
GTIN	3606480752216
Returnability	Yes
Country of origin	ID

Packing Units

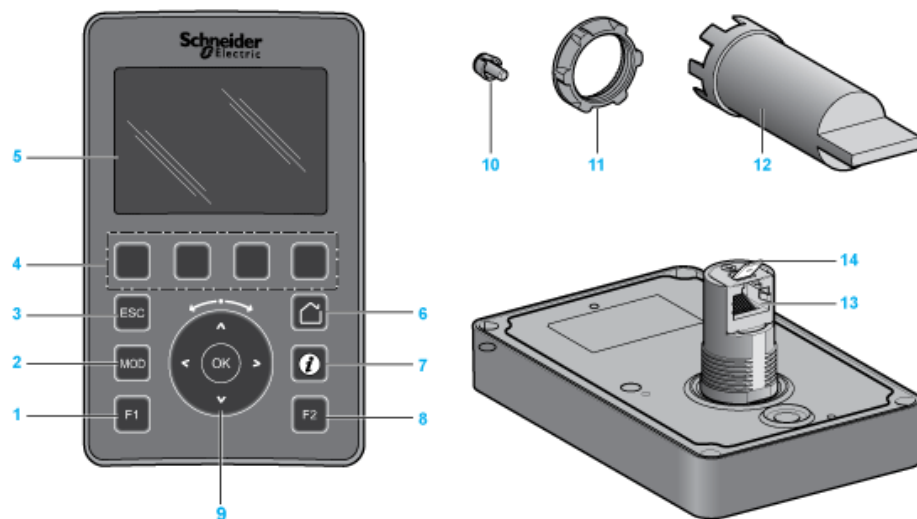
Unit Type of Package 1	PCE
Number of Units in Package 1	1
Package 1 Height	2.48 in (6.3 cm)
Package 1 Width	3.15 in (8.0 cm)
Package 1 Length	4.96 in (12.6 cm)
Package 1 Weight	5.78 oz (164.0 g)
Unit Type of Package 2	S03
Number of Units in Package 2	12
Package 2 Height	11.81 in (30.0 cm)
Package 2 Width	11.81 in (30.0 cm)
Package 2 Length	15.75 in (40.0 cm)
Package 2 Weight	9.65 lb(US) (4.375 kg)
Unit Type of Package 3	P06
Number of Units in Package 3	96
Package 3 Height	27.56 in (70.0 cm)
Package 3 Width	23.62 in (60.0 cm)
Package 3 Length	31.50 in (80.0 cm)
Package 3 Weight	34.71 lb(US) (15.744 kg)

Offer Sustainability

Sustainable offer status	Green Premium product
California proposition 65	WARNING: This product can expose you to chemicals including: Lead and lead compounds, which is known to the State of California to cause cancer and birth defects or other reproductive harm. For more information go to www.P65Warnings.ca.gov
REACH Regulation	REACH Declaration
EU RoHS Directive	Pro-active compliance (Product out of EU RoHS legal scope)
Mercury free	Yes
China RoHS Regulation	China RoHS Declaration
RoHS exemption information	Yes
Environmental Disclosure	Product Environmental Profile
Circularity Profile	End Of Life Information
PVC free	Yes

Remote Graphic Display

Overview

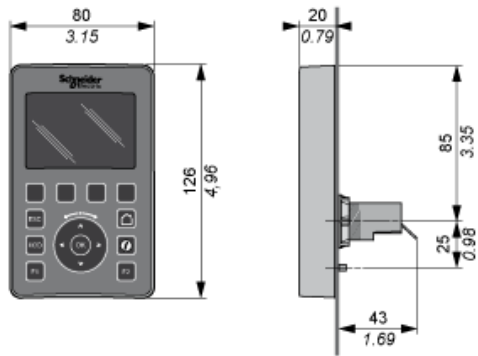


- 1 : F1 key
- 2 : MOD key
- 3 : ESC key
- 4 : R1 to R4 keys
- 5 : Graphic screen
- 6 : Home key
- 7 : Information key
- 8 : F2 key
- 9 : Touch wheel/OK/Arrows
- 10 : Anti-rotation tee
- 11 : Installation nut
- 12 : Socket wrench (ZB5AZ905)
- 13 : RJ45 serial line (RS-485)
- 14 : Connector for functional ground (earth)

Remote Graphic Display

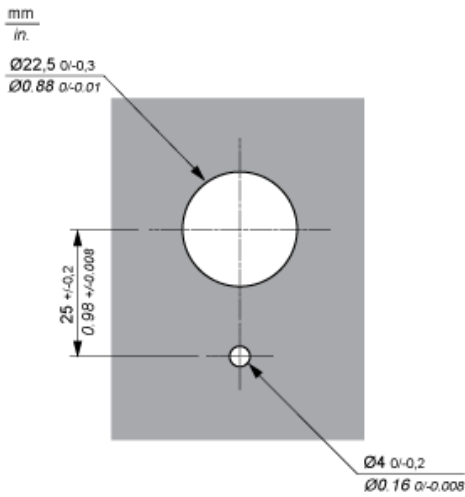
Dimensions

mm
in.



Mounting and Clearances

Mounting Hole Layout



Minimum Clearances

