



Main

Range of Product	Modicon Momentum automation platform
Product or Component Type	High speed counter module base
Group of channels	2 groups of 3 discrete inputs 2 groups of 2 discrete outputs
Number of counter	2
Discrete input number	6
Discrete output number	4

Complementary

Discrete input logic	Positive
Discrete input voltage	- 3...30 V DC 24 V DC
Input overvoltage protection	45 V 10 s
Voltage state 1 guaranteed	≥ 11 V
Voltage state 0 guaranteed	≤ 5 V
Current state 1 guaranteed	≥ 2.5 mA
Current state 0 guaranteed	≤ 1.2 mA
Discrete output logic	Positive
Discrete output voltage	24 V
Discrete output current	1 A per counter 2 A per module 0.5 A per point
Maximum voltage drop	< 0.5 V 0.5 A at state on
Maximum leakage current	1 mA DC 24 V
Surge current	5 A 1 ms
Response time	< 0.1 ms from state 0 to state 1 output circuit < 0.1 ms from state 1 to state 0 output circuit 3 ms from state 0 to state 1 input circuit 3 ms from state 1 to state 0 input circuit
Counting input type	Absolute SSI up, down with 4 sub-modes Incremental up, down, quadrature
Counting input voltage	24 V single ended 5 V differential
Counting frequency	10 KHz single ended 200 kHz differential
Counter inputs resolution	24 bits + sign
Counter configuration	Via comm adapter
Marking	CE
Electrical connection	2 connectors for removable terminal blocks
Current consumption	280 mA 24 V DC
Net Weight	0.46 lb(US) (0.21 kg)

The information provided in this documentation contains general descriptions and/or technical characteristics of the performance of the products contained herein. This documentation is not intended as a substitute for and is not to be used for determining suitability or reliability of these products for specific user applications. It is the duty of any such user or integrator to perform the appropriate and complete risk analysis, evaluation and testing of the products with respect to the relevant specific application or use thereof. Neither Schneider Electric Industries SAS nor any of its affiliates or subsidiaries shall be responsible or liable for misuse of the information contained herein.

Environment

Product Certifications	UL[RETURN]CSA
Protective treatment	TC
Resistance to electrostatic discharge	4 KV contact IEC 801-2 8 kV on air IEC 801-2
Resistance to electromagnetic fields	9.14 V/m (10 V/m) 80...1000 MHz IEC 801-3
Ambient Air Temperature for Operation	32...140 °F (0...60 °C)
Ambient Air Temperature for Storage	-40...185 °F (-40...85 °C)
Relative Humidity	95 % without condensation
Operating altitude	<= 16404.2 ft (5000 m)

Ordering and shipping details

Category	18206-MOMENTUM PROCESSORS,I/O BASES,CONN.
Discount Schedule	PC31
GTIN	3595861147744
Returnability	No
Country of origin	FR

Packing Units

Unit Type of Package 1	PCE
Number of Units in Package 1	1
Package 1 Height	2.28 in (5.800 cm)
Package 1 Width	7.09 in (18.000 cm)
Package 1 Length	10.31 in (26.200 cm)
Package 1 Weight	12.56 oz (356.000 g)
Unit Type of Package 2	S03
Number of Units in Package 2	8
Package 2 Height	11.81 in (30.000 cm)
Package 2 Width	11.81 in (30.000 cm)
Package 2 Length	15.75 in (40.000 cm)
Package 2 Weight	7.35 lb(US) (3.336 kg)

Offer Sustainability

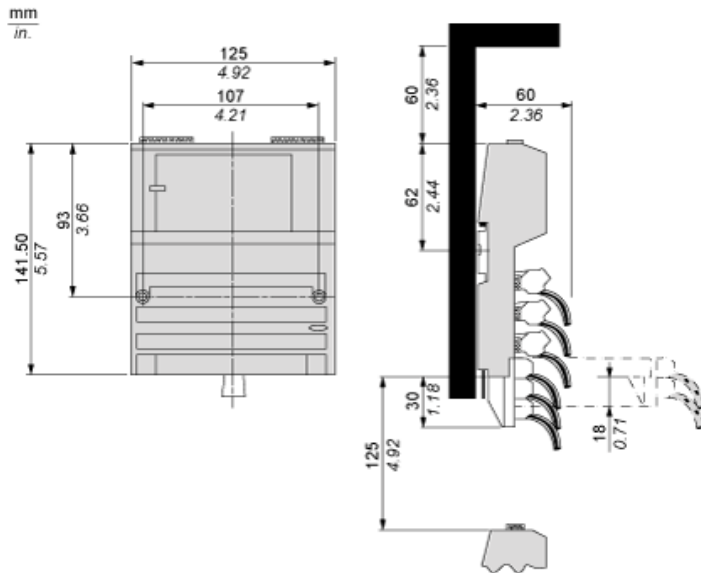
Sustainable offer status	Green Premium product
California proposition 65	WARNING: This product can expose you to chemicals including: Lead and lead compounds, which is known to the State of California to cause cancer and birth defects or other reproductive harm. For more information go to www.P65Warnings.ca.gov
REACH Regulation	REACH Declaration
EU RoHS Directive	Pro-active compliance (Product out of EU RoHS legal scope)
Mercury free	Yes
China RoHS Regulation	China RoHS Declaration
RoHS exemption information	Yes
Environmental Disclosure	Product Environmental Profile
Circularity Profile	End Of Life Information
WEEE	The product must be disposed on European Union markets following specific waste collection and never end up in rubbish bins.

Contractual warranty

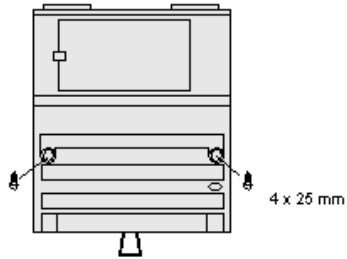
Warranty	18 months
----------	-----------

Standard Adapter on a Typical Base

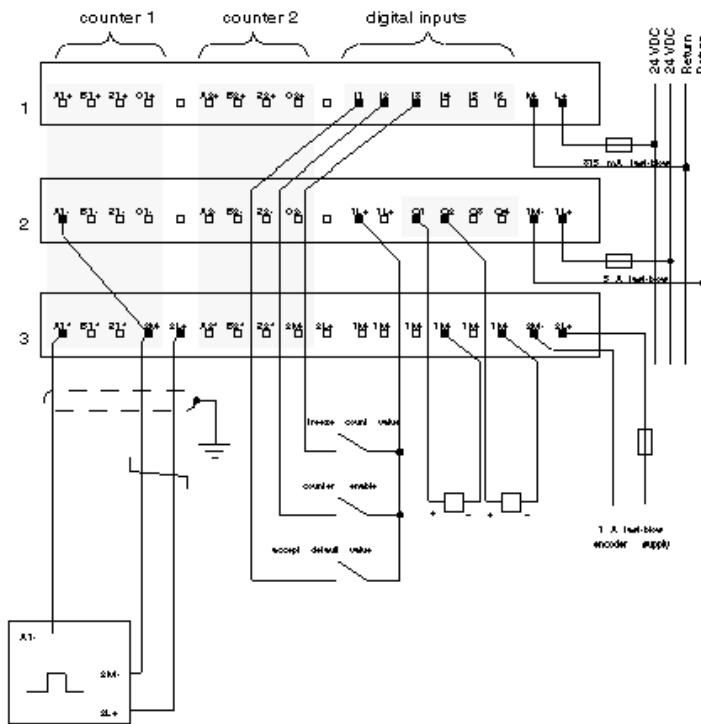
Dimensions



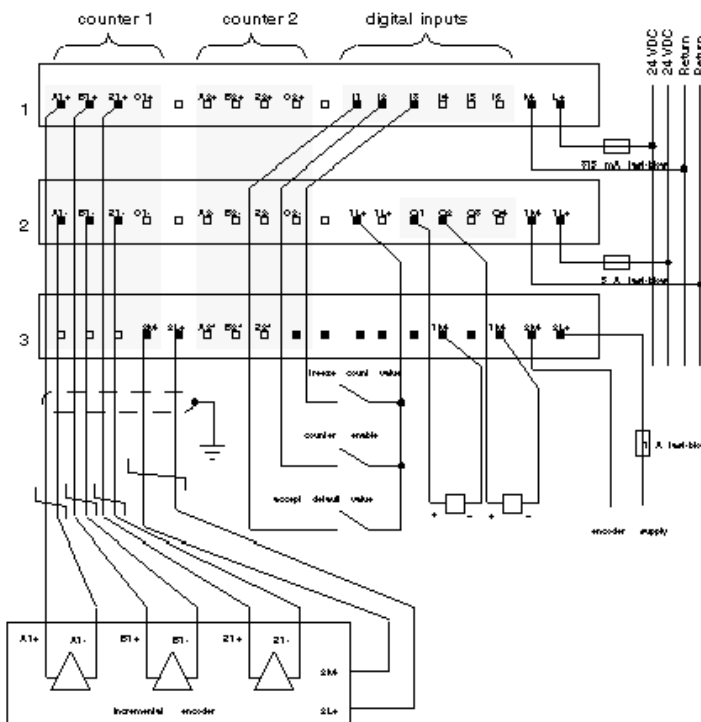
Mounting on a Wall



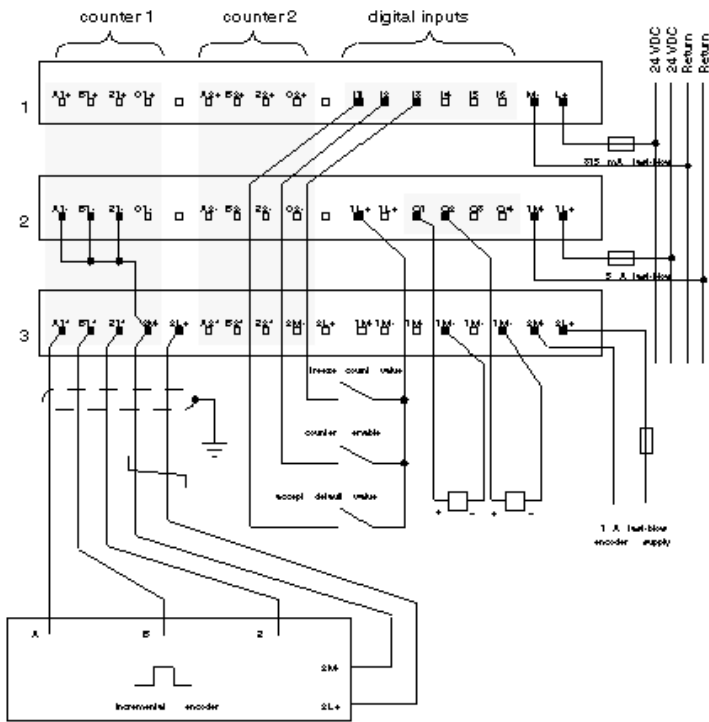
Example for Pulse Encoder (24 V)



Example for Incremental Encoders (RS 422)



Example for 24 V Pulse Encoder on A, B, and R Lines



Example for Absolute Encoders with Actuators

