

Products Guide

Lighting Control

Make the most of your energySM

Schneider
Electric[™]

Contents



Occupancy Sensors

- Introduction 2
- Wall Switch Occupancy Sensors 3
- Sensor Accessories 8
- Ceiling Mounted Occupancy Sensors 9
- Wall Mounted Occupancy Sensors 11
- Power Pack and Auxiliary Relays 12
- Ceiling Mounted Line Voltage Sensors 13
- High Bay Occupancy Sensor 14
- Occupancy Controller 16
- Low Voltage Switches 17
- Technical Section 18

Emergency Lighting Control Devices

- Introduction 28
- Devices 29
- Technical Section 32

Emergency Lighting Control Panels

- Introduction 36
- Emergency Lighting Panels 37
- Emergency Lighting Panelboards 38
- Technical Section 39

Current-Limiting Panels

- Introduction 42
- Current-limiting Panels 43

Relay Panels

- Introduction 46
- LPS Relay Panels 47
- Relay Switches 48
- LPB Relay Panels 49
- LPL Relay Panels 50
- Technical Section 51

Architectural Dimming

- Introduction 58
- inTouch Control Stations 59
- Wall-Mounted Dimming Systems 60
- Rack-Mounted Dimming Systems 61
- Technical Section 63



Measurement & Verification Panels (MVP)

- Introduction 66
- NF MVP Panel 67
- NQ MVP Panel 67
- Powerlink MVP Panel 68
- Technical Section 69

Powerlink Lighting Control

- Introduction 72
- G3 Panelboards 73
- NF Panelboards 74
- G3 Remotely-operated Circuit Breakers 75
- G3 Control Bus 77
- Power Supply 78
- Controllers 79
- Remote Source Controller 81
- Remote Mount Controller 82
- LCS Advanced and LCS Basic software 83
- Accessories 85
- Device Power Supply 86
- Device Router 87
- Technical Section 88

C-Bus Lighting Control

- Introduction 94
- Keypads 95
- Touch Screens 98
- Wiser Home Controller 100
- System Units 101
- Input Units 108
- Sensors 112
- Output Units 118
- Occupancy Controller 127
- Area Lighting Panels 128
- C-Bus Enclosures 129
- Remote Controls 133
- IR Accessories 134
- Schedule Plus Software 135
- Technical Section 137



Occupancy Sensors

Schneider Electric helps building owners achieve energy savings and energy code compliance with sensors that are easy to select, install and commission. Employing passive infrared (PIR), ultrasonic and dual technology to accurately detect occupancy and control lighting loads, occupancy sensors automatically shut-off lighting in unoccupied areas — eliminating waste, reducing energy costs and meeting code requirements. Schneider Electric innovations help building owners not only comply with energy codes, but they also maximize energy savings.

- Adaptive Technology: This technology employs advanced algorithms to achieve convenient energy savings and reduced lamp and ballast maintenance.
- Integral light level sensors maximize energy savings in day-lit areas by holding off artificial lighting when adequate natural light is available.
- Walk-through mode detects brief periods of occupancy in private offices, allowing the sensor to shut-off lighting with less time delay.
- Lamp saver mode alternates the A- and B-loads in rooms using 50/50 bi-level lighting control to maximize lamp life and reduce maintenance.
- Isolated relays may be used to communicate with other control systems, such as building automation and energy management systems that control other building systems, like HVAC and lighting, to further maximize energy savings.

Schneider Electric makes lighting control easy with a full line of versatile occupancy sensors.

Wall Switch Occupancy Sensor Auto/Manual On

Schneider Electric Wall Switch Occupancy Sensors employ the latest passive infrared (PIR) technology to automatically control lighting in offices, private restrooms and employee break rooms.

Each Sensor employs a special 180° multi-segmented lens and PIR motion detector circuit to detect motion. This unit will automatically switch the lights off after a preset delay if no motion is detected.

Schneider Electric Wall Switch Occupancy Sensor fits in place of existing wall switches, connecting to existing active line and ground wiring similar to a typical wall switch. No neutral or minimum load is required.

To assure long relay life, Schneider Electric has developed a low energy switch circuit to assure maximum contact life. These sensors are compatible with electronic and magnetic ballast loads, and require no minimum load.

For maximum energy savings, the Schneider Electric Wall Switch Occupancy Sensor with Manual-On requires the user to switch on lighting manually by pressing the button on the front. Employing a special 180° multi-segmented lens and PIR motion sensor, the sensor reliably detects occupancy to keep lights on while the room is occupied.



Wall Switch Occupancy Sensor

Technical Information

Input	120 or 277 Vac 60 Hz	
Output	120 Vac 1000 W max. incandescent load 1000 VA max. ballast load ¼ hp max. motor load	277 Vac 1800 VA max. ballast load
Operating Temperature	32° F – 122° F (0° C – 50° C)	
Humidity	0 – 90% max. relative humidity non-condensing	
Standard	UL and cUL Listed FCC Part 15 Home and Office Use (Class B) Title 24 Certified	

*For Diagram see technical section page 18

Catalog Number	Description
SLSPWS1277AI	Wall Switch Occupancy Sensor (ivory)
SLSPWS1277AW	Wall Switch Occupancy Sensor (white)
SLSPWS1277AL	Wall Switch Occupancy Sensor (light Almond)
SLSPWS1277MW	Wall Switch Occupancy Sensor With Manual On (white)
SLSPWS1277MI	Wall Switch Occupancy Sensor With Manual On (ivory)
SLSPWS1277ML	Wall Switch Occupancy Sensor with Manual On (light Almond)

Product Features

- Available in white, ivory and light almond with matching decorator wall plate cover
- Auto On/Auto Off
- Manual bypass
- 120 or 277 Vac input (no neutral required)
- No power pack required
- No minimum load
- 180° field of view (Up to 1000 sq. ft.)
- User adjustable time delay from 15 second – 30 minutes
- Red LED motion indicator blinks to indicate motion detection
- Suitable for use on all electronic and magnetic ballasts
- Furnished with (3) x 6 inch external wires (pig tails)
- UL® and cUL Listed
- Five-year warranty

Wall Switch

Residential Wall Switch Vacancy Sensor

The Schneider Electric Residential Wall Switch Vacancy Sensor directly replaces standard light switches in bathrooms, garages, laundry rooms and utility rooms in accordance with Title 24 requirements for residential lighting.

The Vacancy Sensor operates just like a standard light switch, requiring a button press to turn lights on. Lights may be turned off with a button press or the sensor will turn off lighting automatically when the area is unoccupied. Employing passive infrared (PIR) technology, the sensor reliably detects when the area has been vacated then turns off the lighting automatically after a fixed time delay of 30 minutes.

The Vacancy Sensor features a 'grace period'. If the sensor should happen to turn off lighting while the area is occupied, the sensor will monitor the area, and turn lighting back on automatically if motion is detected within 30 seconds of the initial shutoff. Great for retrofits, the Vacancy Sensor fits in existing wall boxes using existing wiring and requires no adjustment.

Technical Information

Input	120 Vac \pm 10% 60 Hz
Output	120 Vac <ul style="list-style-type: none"> • 1000 W max. incandescent load • 1000 VA max. ballast load • ¼ hp max. motor load
Operating Environment	32° F – 122° F (0° C – 50° C)
Humidity	0 – 90% max. relative humidity non-condensing
Standards	UL and cUL Listed FCC Part 15, Home and Office Use (Class B) Title 24 Certified

*For Diagram see technical section page 18

Catalog Number	Description
SLSPWS120VW	White
SLSPWS120VI	Ivory
SLSPWS120VL	Light Almond



Residential Wall Switch Vacancy Sensor, Light Almond

Product Features

- No user time delay and sensitivity adjustments necessary
- Available in white, ivory, and light almond
- Furnished with cover plate
- Manual On/Manual Off or Automatic Off operation
- No neutral or minimum load required
- Rated for both 120 V incandescent and fluorescent lighting
- Title 24 2005 Residential Lighting requirements, Sec. 150(k)
- No override on
- Manual-on only (no auto-on mode)
- 30 minute time delay
- 180° motion detection up to 300 sq. ft. (minor motion)
- 30 second grace period

Commercial Grade Occupancy Sensor

PIR Single and Dual Circuit Wall Switch

Schneider Electric Single Circuit PIR Wall Switch Occupancy Sensor with Light Level features passive infrared (PIR) technology to conveniently control lighting in offices, private bathrooms, utility rooms and employee break rooms. Low profile sensor available in white, ivory, gray, light almond and black with color-matched segmented lens to meet any décor need.

Adaptive Technology: New technology employs advanced algorithms to achieve convenient energy savings and reduced lamp and ballast maintenance.

Walk-Through Mode: To maximize energy savings, the sensor detects when areas are briefly occupied as a result of a person walking through and turns off lighting based on a shorter time delay.

Light Level Sensor Mode: Each sensor includes an adjustable light level sensor to hold off artificial lighting when adequate natural light is present. When natural light levels drop below the threshold, the sensor will turn on artificial lighting in occupied spaces.

Lamp Saver Mode: (Dual Circuit Wall Switch) When the lamp saver feature is enabled, the sensor automatically alternates which circuit responds to motion. The result is more predictable lamp life and reduced maintenance.

The dual circuit sensor easily replaces two wall switches using existing wiring with no wiring modifications required. Optional 2-gang wall switch cover plates available in matching colors. These sensors do not require a neutral connection or minimum load, making it great for retrofits. Easily replaces an existing wall switch using existing wiring – no wiring modifications required. Matching wall switch cover plate makes retrofits clean and simple.



Single Circuit Wall Switch Occupancy Sensor



Dual Circuit Wall Switch Occupancy Sensor

Technical Information

Input	120 – 277 Vac ±10% 50/60 Hz	
Output	120 Vac	277 Vac
	1000 W max. tungsten incandescent load ¼ hp max. motor load 277 Vac 1000 VA max. ballast load	1800 VA max. ballast load
Operating Temperature	32° F – 122° F (0° C – 50° C)	
Humidity	0 – 90% max. relative humidity non-condensing	
Time Delay Adjustment		
Normal	0.5 – 30 minutes	
Walk Through Mode	2 minutes if no activity is detected after 30 seconds	
Test Mode	15 seconds	
Light Level adjustment	0.5 – 250 FC	
Detection	180° passive infrared (PIR)	
Audible Alert	Selectable	
Service Switch	OFF/Auto/ON	
Manual Operation	Push-button ON/OFF	
Lens	Impact Resistant	
Relay Switching	0° ± 500 uS	
Standard	UL and cUL Listed, FCC Part 15/Home and Office Use (Class B), Title 24 Certified	

*For Diagram see technical section page 18

Catalog Number	Description			
SLSPWS1277UW	White			
SLSPWS1277UI	Ivory			
SLSPWS1277UG	Gray			
SLSPWS1277UL	Light Almond			
SLSPWS1277UB	Black			
Catalog Number	Description	Blank Catalog Number	Toggle Catalog Number	Description
SLSPWD1277UW	White	SLSWP2DBW	SLSWP2DTW	White
SLSPWD1277UI	Ivory	SLSWP2DBI	SLSWP2DTI	Ivory
SLSPWD1277UG	Gray	SLSWP2DBG	SLSWP2DTG	Gray
SLSPWD1277UL	Light Almond	SLSWP2DBL	SLSWP2DTL	Light Almond
SLSPWD1277UB	Black	SLSWP2DBB	SLSWP2DTB	Black

Product Features

- Available in white, ivory, gray, light almond and black with matching wall switch cover plate
- Color matching multi-segmented lens
- Selectable auto-on and manual-on modes
- 120 – 277 Vac 50/60 Hz input
- 180° field of view
- 1000 sq. ft. major motion and 300 sq. ft. minor motion coverage area
- Light level sensor
- Walk-through mode
- Adjustable light level, time delay and sensitivity
- Red LED motion indicator
- For use with electronic and magnetic ballasts
- No neutral connection, minimum load or power pack required
- UL and cUL Listed for United States and Canada
- Five-year warranty

Commercial Grade Occupancy Sensor

Ultrasonic Single and Dual Circuit Wall Switch

Schneider Electric Single Circuit PIR Wall Switch Occupancy Sensor with Light Level features passive infrared (PIR) technology to conveniently control lighting.

Dual Circuit Wall Switch Occupancy Sensors independently control two lighting circuits with bi-level switching to reduce lighting by 50% which may be required by energy codes. The dual circuit wall switch occupancy sensor employs passive infrared (PIR) technology and a 180 degree segmented lens to achieve minor motion coverage up to 300 square feet (27.87 sq. meters).

Adaptive Technology: New patent pending technology employs advanced algorithms to achieve convenient energy savings and reduced lamp and ballast maintenance

Walk-Through Mode: To maximize energy savings and reduce waste, the sensor detects when areas are briefly occupied as a result of an occupant walking through and turns off lighting based on a shorter time delay.

Light Level Sensor Mode: Each sensor includes an adjustable light level sensor to hold off artificial lighting when adequate natural light is present. When natural light levels drop below the threshold, the sensor will turn on artificial lighting in occupied spaces.

Lamp Saver Mode: (Dual Circuit wall switch) when the lamp saver feature is enabled, the sensor automatically alternates which circuit responds to motion. The result is more predictable lamp life and reduced maintenance.

These sensors do not require a neutral connection or minimum load, making it great for retrofits. Easily replaces an existing wall switch using existing wiring – no wiring modifications required. Matching wall switch cover plate makes retrofits clean and simple.



Single Circuit Wall Switch Occupancy Sensor



Dual Circuit Wall Switch Occupancy Sensor

Technical Information

Input	120 – 277 Vac ±10% 50/60 Hz	
Output	120 Vac	277 Vac
	1000 W max. tungsten incandescent load ¼ hp max. motor load 277 Vac 1000 VA max. ballast load	1800 VA max. ballast load
Operating Temperature	32° F – 122° F (0° C – 50° C)	
Humidity	0 – 90% max. relative humidity non-condensing	
Time Delay Adjustment	Normal Walk Through Mode Test Mode	
	0.5 – 30 minutes 2 minutes if no activity is detected after 30 seconds 15 seconds	
Light Level adjustment	0.5 – 250 FC	
Detection	180° passive infrared (PIR)	
Audible Alert	Selectable	
Service Switch	OFF/Auto/ON	
Manual Operation	Push-button ON/OFF	
Lens	Impact Resistant	
Relay Switching	0° ±500 uS	
Standard	UL and cUL Listed, FCC Part 15/Home and Office Use (Class B), Title 24 Certified	

*For Diagram see technical section page 19

Catalog Number	Description	Blank Catalog Number	Toggle Catalog Number	Description
SLSUWS1277UW	White			
SLSUWS1277UI	Ivory			
SLSUWS1277UG	Gray			
SLSUWS1277UL	Light Almond			
SLSUWS1277UB	Black			
Catalog Number	Description	Blank Catalog Number	Toggle Catalog Number	Description
SLSUWD1277UW	White	SLSWP2DBW	SLSWP2DTW	White
SLSUWD1277UI	Ivory	SLSWP2DBI	SLSWP2DTI	Ivory
SLSUWD1277UG	Gray	SLSWP2DBG	SLSWP2DTG	Gray
SLSUWD1277UL	Light Almond	SLSWP2DBL	SLSWP2DTL	Light Almond
SLSUWD1277UB	Black	SLSWP2DBB	SLSWP2DTB	Black

Product Features

- Available in white, ivory, gray, light almond and black with matching wall switch cover plate
- Color matching multi-segmented lens
- Selectable auto-on and manual-on modes
- 120 – 277 Vac 50/60 Hz input
- 180° field of view
- 1000 sq. ft. major motion and 300 sq. ft. minor motion coverage area
- Light level sensor
- Adjustable light level, time delay and sensitivity
- Red LED motion indicator
- For use with electronic and magnetic ballasts
- No neutral connection, minimum load or power pack required
- UL and cUL Listed for United States and Canada
- Five-year warranty

Commercial Grade Occupancy Sensor

Dual Technology Single and Dual Circuit Wall Switch

Schneider Electric Single Circuit PIR Wall Switch Occupancy Sensor with Light Level features passive infrared (PIR) technology to conveniently control lighting.

Dual Circuit Wall Switch Occupancy Sensors independently control two lighting circuits with bi-level switching to reduce lighting by 50% which may be required by energy codes. The dual circuit wall switch occupancy sensor employs passive infrared (PIR) technology and a 180 degree segmented lens to achieve minor motion coverage up to 300 square feet (27.87 sq. meters).

Adaptive Technology: New patent pending technology employs advanced algorithms to achieve convenient energy savings and reduced lamp and ballast maintenance.

Walk-Through Mode: To maximize energy savings, the sensor detects when areas are briefly occupied as a result of a person walking through and turns off lighting based on a shorter time delay.

Light Level Sensor Mode: Each sensor includes an adjustable light level sensor to hold off artificial lighting when adequate natural light is present. When natural light levels drop below the threshold, the sensor will turn on artificial lighting in occupied spaces.

Lamp Saver Mode: (Dual Circuit sensor) When the lamp saver feature is enabled, the sensor automatically alternates which circuit responds to motion. The result is more predictable lamp life and reduced maintenance.

The sensor does not require a neutral connection or minimum load, making it great for retrofits. Easily replaces an existing wall switch using existing wiring – no wiring modifications required. Matching wall switch cover plate makes retrofits clean and simple.



Single Circuit Wall Switch Occupancy Sensor



Dual Circuit Wall Switch Occupancy Sensor

Technical Information

Input	120 – 277 Vac ±10% 50/60 Hz	
Output	120 Vac 1000 W max. tungsten incandescent load ¼ hp max. motor load 277 Vac 1000 VA max. ballast load	277 Vac 1800 VA max. ballast load
Operating Temperature	32° F – 122° F (0° C – 50° C)	
Humidity	0 – 90% max. relative humidity non-condensing	
Time Delay Adjustment	Normal Walk Through Mode Test Mode	
	0.5 – 30 minutes 2 minutes if no activity is detected after 30 seconds 15 seconds	
Light Level adjustment	0.5 – 250 FC	
Detection	180° passive infrared (PIR)	
Audible Alert	Selectable	
Service Switch	OFF/Auto/ON	
Manual Operation	Push-button ON/OFF	
Lens	Impact Resistant	
Relay Switching	0° ±500 uS	
Standards	UL and cUL Listed, FCC Part 15/Home and Office Use (Class B), Title 24 Certified	

*For Diagram see technical section page 19

Catalog Number	Description			
SLSDWS1277UW	White			
SLSDWS1277UI	Ivory			
SLSDWS1277UG	Gray			
SLSDWS1277UL	Light Almond			
SLSDWS1277UB	Black			
Catalog Number	Description	Blank Catalog Number	Toggle Catalog Number	Description
SLSDWD1277UW	White	SLSWP2DBW	SLSWP2DTW	White
SLSDWD1277UI	Ivory	SLSWP2DBI	SLSWP2DTI	Ivory
SLSDWD1277UG	Gray	SLSWP2DBG	SLSWP2DTG	Gray
SLSDWD1277UL	Light Almond	SLSWP2DBL	SLSWP2DTL	Light Almond
SLSDWD1277UB	Black	SLSWP2DBB	SLSWP2DTB	Black

Product Features

- Available in white, ivory, gray, light almond and black with matching wall switch cover plate
- Color matching multi-segmented lens
- Selectable auto-on and manual-on modes
- 120 – 277 Vac 50/60 Hz input
- 180° field of view
- 1000 sq. ft. major motion and 300 sq. ft. minor motion coverage area
- Light level sensor
- Walk-through mode
- Adjustable light level, time delay and sensitivity
- Red LED motion indicator
- For use with electronic and magnetic ballasts
- No neutral connection, minimum load or power pack required
- UL and cUL Listed for United States and Canada
- Five-year warranty

Sensor Accessories

Blank Button Covers, Wall Plate toggle opening and Wall Plate Decorator and Ceiling sensor replacement kit

Button Covers for Commercial grade Single Circuit Sensors

Catalog Number	Description
SLSBCB	Button Cover Black
SLSBCG	Button Cover Gray
SLSBCI	Button Cover Ivory
SLSBCL	Button Cover Light Almond
SLSBCW	Button Cover White

2 Gang Wall plate, One Decorator opening and One Blank side.

Catalog Number	Description
SLSWP2DBB	2 Gang Cover, with One Decorator opening Black
SLSWP2DBG	2 Gang Cover, with One Decorator opening Gray
SLSWP2DBI	2 Gang Cover, with One Decorator opening Ivory
SLSWP2DBL	2 Gang Cover, with One Decorator opening Light Almond
SLSWP2DBW	2 Gang Cover, with One Decorator opening White

2 Gang Wall plate, One Toggle Switch opening and One Blank side.

Catalog Number	Description
SLSWP2DTB	2 Gang Cover, with One Toggle switch opening Black
SLSWP2DTG	2 Gang Cover, with One Toggle switch opening Gray
SLSWP2DTI	2 Gang Cover, with One Toggle switch opening Ivory
SLSWP2DTL	2 Gang Cover, with One Toggle switch opening Light Almond
SLSWP2DTW	2 Gang Cover, with One Toggle switch opening White

Replacement Kits

Catalog Number	Description
SLSCRK	Ceiling Sensor Replacement Parts Kit



Button Covers
(SLSBCB, SLSBCG, SLSBCI,
SLSBCL, and SLSBCW)



2 Gang Wall plate
(SLSWP2DBB)



2 Gang Wall plate
(SLSWP2DBG)



2 Gang Wall plate
(SLSWP2DBI)



2 Gang Wall plate
(SLSWP2DBL)



2 Gang Wall plate
(SLSWP2DBW)



2 Gang Wall plate
(SLSWP2DTB)

Ceiling Mounted Occupancy Sensor

PIR/Ultrasonic/Dual Technology

Ceiling Mounted Passive Infrared (PIR), Ultrasonic and Dual Technology Occupancy Sensors accurately detect occupancy and automatically switches lighting on and off as needed. This low profile sensor is ceiling mounted for superior motion detection.

PIR: 360 degree field of view and up to 1000 square feet (92.90 sq. meters) of coverage area.

Ultrasonic: 360 degree field of view and up to 2000 square feet (185.8 sq. meters) of coverage area.

Dual Technology: Incorporates both Passive Infrared and Ultrasonic technology with a 360 degree field of view and up to 2000 square feet (185.8 sq. meters) of coverage area.

Ceiling mount sensors also incorporate an integral light level sensor to prevent lighting from switching On when sufficient ambient light is present, such as is commonly found in windowed areas.

Installation and configuration is simple. The sensor readily mounts to drop ceilings and features front located adjustments for setting sensitivity and time delay. Features an isolated relay for use with building automation, security and HVAC systems.



Ceiling Mounted Occupancy Sensor PIR



Ceiling Mounted Occupancy Sensor Ultrasonic



Dual Circuit Wall Switch Occupancy Sensor

Technical Information

Current Consumption @ 24 Vdc	21 mA Nominal (PIR), 34 mA Nominal (Ultrasonic), 37 mA Nominal (Dual Technology)
Supply Voltage	24 Vdc
Isolated Relay	1 A @ 24 Vdc Resistive
Operating Temperature	32° F – 122° F (0° C – 50° C)
Max. Humidity	0 – 90% max. relative humidity non-condensing
Standards	UL and cUL Listed, FCC Part 15/Home and Office Use (Class B), Title 24 Certified

*For Diagram see technical section page 19 and 20

Catalog Number	Description
SLSCPS1000	Ceiling Mounted PIR Occupancy Sensor
SLSCUS2000	Ceiling Mounted Ultrasonic Occupancy Sensor
SLSCDS2000	Ceiling Mounted Dual Technology Occupancy Sensor
SLSPP1277	Power Pack (required)
SLSSP24	Auxiliary Relay (optional)

Product Features

- 24 Vac for use with BAS systems
- 360 degree field of view
- Light Level Sensing (from 0.5 to 250 foot-candles)
- Adjustable Time Delay (pre-set time delays from 15 seconds (test) to 30 minutes)
- Adjustable Sensitivity (from 60 to 100%)
- Isolated Relay (1 A at 24 Vdc NO and NC Form C Relay)
- Red LED Motion Indicator
- Adjustment compartment cover equipped with retention clip
- UL/cUL Listed
- Manual Bypass
- Five-year warranty

180 Degree Ceiling-Mounted Occupancy Sensor

Ultrasonic/Dual Technology

The 180 Degree Ceiling-Mounted Occupancy Sensors are ideal for use in business and office settings to accurately detect occupancy and automatically control lighting. The ceiling-mount design of these low-profile sensors allows the greatest possible motion sensitivity. An adjustment panel is conveniently located on the front of the sensor, providing ready access to setting controls after the sensor is installed. These occupancy sensors are available in the ultrasonic and dual technology models. The dual technology model employs passive infrared (PIR) and ultrasonic technology.



180 Degree Ultrasonic
Occupancy Sensor



180 Degree Dual Technology
Occupancy Sensor

Technical Information

	Ultrasonic	Dual
Current Consumption @ 24 Vdc**	Active: 30 mA	Active: 33 mA
Isolated relay	Contact rating: 1 A @24 Vdc Resistive	
Operating Temperature	32° F to 122° F (0° C to 50° C)	
Humidity	0 – 90% max. relative humidity non-condensing	
Standards	UL and cUL Listed FCC Part 15 Home and Office Use (Class B) California Title 24 Certified	

*For Diagram see technical section page 20 and 21

**Control power must be provided by the Power Pack SLSP1277 or an approved equivalent.

Catalog Number	Description
SLSCUS800	180 Degree Ultrasonic sensor
SLSCDS800	180 Degree Dual Technology Sensor
SLSP1277	Power Pack (required)
SLSSP24	Auxiliary Relay (optional)

Product Features

- 1000 sq. ft. coverage area
- 180° field of view
- New patent pending adaptive technology employs advanced algorithms to achieve convenient energy savings and reduce lamp and ballast maintenance.
- Ambient light level sensing from 0.5 to 250 foot-candles
- Adjustable time delay from 15 sec. to 30 min.
- Adjustable sensitivity from 600 to 1000 sq. ft. (10-100% of maximum coverage)
- Isolated relay (Form C contacts for Class 2 signalling)
- LED motion indicators (ultrasonic = 1 red, dual technology = 1 red, 1 green)

Wall Mounted Occupancy Sensor

PIR/Ultrasonic/Dual Technology

Schneider Electric Wall Mounted Sensors accurately detects occupancy and automatically switches lighting on and off as needed. This sensor is wall or ceiling mounted for superior motion detection.

The PIR Occupancy Sensor includes 3 interchangeable lenses for custom coverage patterns. The Wide Angle lens has a 2500 square foot coverage area when the sensor is mounted 8 feet high, the Long Range lens has a 102 linear foot coverage area @ 10 ft. high and the High Bay lens has a 54 linear foot coverage area @ 30 ft. high. With a 110 degree field of view.

With 1000 square feet of coverage area, the Schneider Electric PIR Wall Mounted Ultrasonic Occupancy Sensor is ideal for storage rooms, hallways, bathrooms, conference rooms, classrooms and open office areas.

To reduce the occurrence of false on events, the Dual Technology Sensor employs PIR technology to detect major motion. Once lighting has been turned on, it employs highly sensitive PIR and ultrasonic technology to detect minor motion and keep lighting on while areas remain occupied. When the room or area is no longer occupied, the sensor turns off lighting after a pre-set time delay. The low profile sensor is wall mounted for greatest sensitivity to motion in large areas with obstructions. With a 110 degree field of view and up to 2500 square feet of coverage area when mounted at 8 ft. off the ground, the Wall Mounted Dual Technology Occupancy Sensor is ideal for conference rooms, classrooms, bathrooms, and large office areas.

Wall mount sensors also incorporate an integral light level sensor to prevent lighting from switching On when sufficient ambient light is present, such as is commonly found in windowed areas.

Installation and configuration is simple. The sensor readily mounts to walls as well as drop ceilings and features front located adjustments for setting sensitivity and time delay. Features an isolated relay for use with building automation, security and HVAC systems.



Wall Mounted Occupancy Sensor PIR



Wall Mounted Occupancy Sensor Ultrasonic



Wall Mounted Occupancy Sensor Dual Technology

Technical Information

Current Consumption @ 24 Vdc	21 mA Nominal (PIR), 34 mA Nominal (Ultrasonic), 37 mA Nominal (Dual Technology)
Supply Voltage	24 Vdc
Isolated Relay	1 A @ 24 Vdc Resistive
Operating Temperature	32° F – 122° F (0° C – 50° C)
Max. Humidity	0 – 90% max. relative humidity non-condensing
Standards	UL and cUL Listed, FCC Part 15/Home and Office Use (Class B), Title 24 Certified

*For Diagram see technical section page 21 and 22

Catalog Number	Description
SLSWPS1500	Wall Mounted Occupancy Sensor PIR
SLSWUS1500	Wall Mounted Occupancy Sensor Ultrasonic
SLSWDS1500	Wall Mounted Occupancy Sensor Dual Technology
SLSPP1277	Power Pack (required)
SLSSP24	Auxiliary Relay

Product Features

- Interchangeable lenses for custom coverage pattern (PIR)
- 110 degree field of view
- Light Level Sensing (from 0.5 to 250 foot-candles)
- Adjustable Time Delay (pre-set time delays from 15 seconds to 30 minutes)
- Adjustable Sensitivity (from 60 to 100%)
- Isolated Relay
- Red LED Motion Indicator (PIR/Ultrasonic)
- Red and Green LED Motion indicator (Dual Technology)
- Front located adjustment access cover
- UL/cUL Listed

Power Pack and Auxiliary Relay

120V, 277V and 347V

The Power Pack supplies low voltage power to Schneider Electric ceiling and wall mounted occupancy sensors, and employs a heavy duty 20A relay to switch lighting and HVAC loads based on a control signal received from the occupancy sensor.

The power pack employs a micro-controller that switches loads at minimum voltage, protecting relay contacts from high in-rush current common when switching electronic ballasts. This switching method reduces the stress across the relay contacts, preventing arc-over and assuring long reliable contact life.

Similar to the power pack, the auxiliary relay does not supply power, but switches lighting and HVAC loads based on a control signal from the occupancy sensor.

Both the power pack and auxiliary relay are housed in a rugged plenum rated enclosure. Flexible mounting scheme allows for installation inside or outside a standard 4 x 4 inch junction box.



Power Pack

Technical Information (120V, 277V)

	Power Pack		Auxiliary Relay	
Storage Temp	-20° F to 150° F (-29° C to 65° C)		-20° F to 150° F (-29° C to 65° C)	
Operating Temperature	32° F to 104° F (0° C to 40° C)		32° F to 104° F (0° C to 40° C)	
Max. Humidity	0 – 90% max. relative humidity non-condensing		0 – 90% max. relative humidity non-condensing	
Input	120 or 277 Vac/60 Hz		24 Vdc/36 mA	
Output	24 Vdc/100 mA Nominal		No Power Supply	
Max Load Ratings	120 Vac/60 Hz	277 Vac/60 Hz	120 Vac/60 Hz	277 Vac/60 Hz
Tungsten	15 A/1800 W	15 A/1800 W	15 A/1800 W	15 A/1800 W
Ballast	20 A	20 A	20 A	20 A
AC Motor	1 HP at 120 Vac/No HP rating at 277 Vac			
Dimensions	3 in. (76 mm) tall x 2.25 in. (57 mm) wide x 1.75 in. (44 mm) deep			

*For Diagram see technical section page 22

Technical Information (347V)

	Power Pack		Auxiliary Relay	
Storage Temp	-20° F to 150° F (-29° C to 65° C)		-20° F to 150° F (-29° C to 65° C)	
Operating Temperature	32° F to 104° F (0° C to 40° C)		32° F to 104° F (0° C to 40° C)	
Max. Humidity	0 – 90% max. relative humidity non-condensing		0 – 90% max. relative humidity non-condensing	
Input	347 Vac/60 Hz		347 Vac/60 Hz	
Output	24 Vdc/150 mA Max.		No Power Supply	
Max Load Ratings	347 Vac/60 Hz	347 Vac/60 Hz	347 Vac/60 Hz	347 Vac/60 Hz
Ballast	15 A ballast, 5200 Watts			
Dimensions	3 in. tall X 2.25 in. wide X 1.75 in. deep [76 mm tall X 57 mm wide X 44 mm deep]			
Standards	UL and cUL Listed FCC: Part 15, Home and Office Use Class B			

*For Diagram see technical section page 22

Product Features

- 120 V, 277 V and 347 V Input
- Plenum Rated
- Flexible Mounting Options
- UL and cUL Listed
- FCC Part 15, Class B
- Heavy duty relay rated to switch electronic ballast loads
- External color coded leads for quick installation
- Mounts to a standard 4 in. (101 mm) x 4 in. (101 mm) junction box using a ½ in. (12.7 mm) threaded EMT nipple
- UL/cUL Listed

Catalog Number	Description
SLSP1277	Occupancy Sensor Power Pack 120 – 277 Vac
SLSP24	Occupancy Sensor Auxiliary Relay 120 – 277 Vac
SLSP1347	Occupancy Sensor Power Pack 347 Vac
SLSP24347	Occupancy Sensor Auxiliary Relay 347 Vac

Ceiling Mounted Line Voltage Occupancy Sensors

PIR/Ultrasonic/Dual Technology

The Ceiling Mounted 360° Line Voltage Occupancy Sensor line from Schneider Electric, are Class 1 devices designed to operate with indoor lighting fixtures performing the switching of electrical loads in response to a control signal from the detection circuitry of the device. The occupancy sensors easily mount to a standard 3.5 in. (89mm) octagonal electrical box as well as a 4 in. (10.2 cm) square (1900 type) electrical box with mud ring. The power section of the sensor fits into the electrical box. The occupancy sensors operate from 120 Vac to 347 Vac at 60 HZ.



Ceiling Mounted Line Voltage Occupancy Sensor PIR



Ceiling Mounted Line Voltage Occupancy Sensor Ultrasonic



Dual Circuit Ceiling Mounted Line Voltage Occupancy Sensor

Technical Information

Operating Range VAC	120 Vac: 1000 W Max ballast load, or 1000 W Tungsten, or ¼ Hp motor 230 Vac: 1500 W Max ballast load 277 Vac: 1800 W Max ballast load 347 Vac: 1500 W Max ballast load
Frequency	120 Vac: 60 Hz 230 Vac, 277 Vac, 347 Vac: 50 Hz or 60 Hz
Operating Temperature	32 °F to 122 °F (0 °C to 50 °C)
Humidity	0 – 90% max. relative humidity non-condensing
Standards	UL and cUL Listed FCC Part 15, Home and Office Use (Class B) California Title 24 Certified

*For Diagram see technical section page 23 and 24

Catalog Number	Description
SLSCLP1000	Passive Infrared (PIR) Occupancy Sensors
SLSCLU2000	Ultrasonic (US) Occupancy Sensors
SLSCLD2000	Dual Technology (DT) Occupancy Sensors

Product Features

All Models:

- Adjustable sensitivity
- Manual or Automatic Light level feature for daylight harvesting
- Delay-off timer setting control — factory set to 18 min. for max energy vs lamp life
- “Adaptive Timing” modifies time-out value based on occupancy activities
- Time delay Test mode for sensor placement testing
- Low current consumption circuit design
- “Walk through mode” for sensors used in hallways and corridors

PIR/Dual Technology:

- Interchangeable 500 or 1000 sq. ft. lenses
- “Adaptive PIR” moves sensitivity of the sensor based on occupancy detection
- Dual Tech Logic Engine — (Modes of Operation) (Dual Tech model only)

High Bay Occupancy Sensor HID

Schneider Electric High Bay HID Basic, Single and Dual Output Occupancy Sensors work with a single HID (high intensity discharge) luminaire to reduce the lamp wattage by approximately 50% and then return the lamp wattage to 100% when occupancy is detected in an aisle or room. Motion is detected using passive infrared (PIR) technology.

Basic HID Sensors are used in sensor-per-fixture configuration, while single output sensors include a connector to send and receive fiber optic signals. Single output sensors are commonly used in daisy chain configurations. Dual output sensors have two connectors that send fiber optic signals, and are commonly used in configurations that interleave switch packs and sensors. All Sensors are compatible with single magnetic HID luminaires.



High Bay Occupancy Sensor

Technical Information

Fixture Compatibility	HID with constant wattage auto-transformer ballast
Dimming Method	Relay-switched dual-section capacitor
Switching Configurations	Parallel (preferred) or series capacitors
Relay Current Rating	4 amperes RMS maximum
Maximum Fixture Wattage	1000 watts parallel mode/250 watts series mode
AC Line Voltage	120/208/240/277/347/480 Vac
Power Consumption	3 watts maximum
Maximum Fiber Spacing Between Nodes	200 ft.
Ambient Temperature Range	32° F to 122° F (0° C to 50° C) non-condensing
Observed Motion ON Time	0 to 15 minutes (user-adjustable)
Lamp Warm Up Interval	15 minutes
Wire Harness	4 conductor 18 AWG stranded copper wire
Wire Harness Length	36 inches (91.44 cm)
Dimensions (including mounting nipple)	3.25 in. (L) x 3.25 in. (W) x 3.25 in.(H) [82.56 mm (L) x 82.56 mm (W) x 82.56 mm (H)]
Standards	UL Listed 916 Energy Management Equipment, cUL Listed

*For Diagram see technical section page 25



Sensor and optional counterweight mounted on luminaire

Product Features

- Compatible with HID luminaires rated between 208 and 480 Vac/60 Hz, without adding taps or jumpers
- Up to 40' mounting height
- User-adjustable 1 to 15 minute activity timer
- User-adjustable range dial to customize PIR sensitivity
- Available with interchangeable aisle and area lenses
- Lamp always starts on high to provide full rated HID lamp life, even after AC power bumps or loss of fiber optic signals
- Includes a manual test switch for self diagnostics that assist with installation and debugging networks

Catalog Number	Description
SLSPIP210	HID Occupancy Sensor
SLSPIP211	HID Single Optical Output Occupancy Sensor
SLSPIP212	HID Dual Optical Output Occupancy Sensor
SLSPCW001	Optional Counterweight
SLSPIP210EB	HID Occupancy Sensor Electronic Ballast
SLSPIP210CT	HID Occupancy Sensor Magnetic Ballast Cold Temperature
SLSPIP210EBCT	HID Occupancy Sensor Electronic Ballast Cold Temperature
SLSPSP101	HID Switch Pack with optical control ports (1 input/1 output)
SLSPSP102	HID Switch pack with optical control ports (2 inputs)

High Bay PIR Occupancy Sensor Fluorescent

The Fluorescent High Bay PIR Sensors (SLSFPS1347 or SLSFPS1480) by Schneider Electric are designed for use with T5 and T8 fluorescent fixtures in high or low bay, area or aisle applications. The sensors save energy by using Passive Infrared (PIR) technology to detect motion and turning off lights in unoccupied areas. The SLSFPS1347 uses automatic voltage sensing allowing the same device to be installed in different voltage systems ranging from 120 – 347 V. The SLSFPS1480 is designed specifically for 480 V applications. Installation is simple because drop-down brackets are not required.



Fluorescent High Bay PIR
Occupancy Sensor

Technical Information

	SLSFPS1480	SLSFPS1347
Fixture Compatibility	T5 and T8 Fluorescent Fixtures	
AC Line Voltage	Black/Black wires 480 Vac $\pm 10\%$, 60 Hz	White/Black wires 120/277/347 Vac $\pm 10\%$, 60 Hz
Output Contact Rating	2000 W Max Ballast Load	1000/1800/1500 W Max Ballast Load
Ambient Temperature Range	32° F to 158° F (0° C to 70° C) non-condensing	
Observed Motion ON time	15 seconds to 30 minutes	
Dimensions (including mounting nipple) (HxWxD)	4.96 in. x 3.25 in. x 3.25 in. (126 mm x 82.56 mm x 82.56 mm)	
Standards	UL and cUL Listed	

*For Diagram see technical section page 25

Catalog Number	Description
SLSFPS1347	Occupancy Sensor (120 – 347 V) Fluorescent High Bay PIR
SLSFPS1480	Occupancy Sensor (480 V) Fluorescent High Bay PIR

Product Features

- Includes a user-adjustable time dial to set the length of time the luminaires stay on from 15 seconds to 30 minutes.
- Includes a user-adjustable range dial to customize PIR sensitivity.
- 90 degree rotating lens for a variety of aisle-way applications.
- High bay area, low bay area, and high bay aisle lenses provided.
- 18 minutes time-out preset for maximum energy to lamp life savings.

Occupancy Controller

The Occupancy Controller from Schneider Electric has two lighting control relays, an occupancy sensor power supply, two auxiliary input switches, two timers (one per relay), and two relay default mode switches associated with each relay. The occupancy controller provides a simple all-in-one solution for dimming, on-off operation, and powering of sensors. It operates over a wide range of input voltages (100 – 277 Vac) and is designed for above-ceiling installation. The occupancy controller is ideal for in-room occupancy control applications such as classrooms, open-office space, executive offices and conference rooms.



Occupancy Controller

Technical Information

Power Supply Voltage	100 – 277 Vac
Power Supply Frequency	50 – 60 Hz
Motion Sensor Power Supply	Power output 280 mA (140 mA per detector connection)
Power Supply Rating	24 Vdc SELV/Class 2
Relay Rating	Resistive: 16 A at 277 Vac, Incandescent/Tungsten: 12 A at 277 Vac Fluorescent (UL) Standard ballast: 10 A at 277 Vac (inductive 0.4 – 0.5 pf)
Connections (Screw-type Phoenix-style Connectors)	Input: 14 – 12 AWG (2.5 – 4 mm ²) Relay output: 14 – 12 AWG (2.5 – 4 mm ²) Motion detector: 3-pin, 1 per relay present Auxiliary input: 2-pin, 1 per relay present
Maximum Operating Temp.	122° F (50° C) approved for use in a plenum
Operating Humidity	10 – 90% max. relative humidity non-condensing
Dimensions (H x W x D)	8.0 x 7.87 x 2.36 in. (203 x 200 x 60 mm)
Standards (Title)	CSA C22.2 No. 205 (Signal Equipment), UL916 (Energy Management Equipment) FCC Part 15 (Class B Digital Device for Home or Office Use)

*For Diagram see technical section page 26

Product Features

- Input voltage range: 100 – 277 Vac 50/60 Hz
- One occupancy sensor input terminal for each relay
- 24 Vdc power supply for the motion detectors
- One auxiliary input switch terminal for overrides and an on board timer for each relay
- One relay fail-safe mode switch for each relay
- Remote override on/off capability
- Class 1 and Class 2 voltage isolation

Catalog Number	Description
5752PP/2R	Occupancy Controller with 2 relays, with C-Bus connection
5752PP/2R/2D	Occupancy Controller with 2 relays and 2 0-10V dimmers, with C-Bus connection
752PP/2R	Occupancy Controller with 2 relays, no network connection

Compatible Sensors

Sensor	Description
SLSCPS1000	Ceiling mount PIR motion sensor, 360° detection pattern, isolated relay
SLSCUS2000	Ceiling mount Ultrasonic motion sensor, 360° detection pattern, isolated relay
SLSCDS2000	Ceiling mount Dual-technology (PIR and Ultrasonic) motion sensor, 360° detection pattern, isolated relay
SLSCUS800	Ceiling mount Ultrasonic motion sensor, 180° detection pattern, isolated relay
SLSCDS800	Ceiling mount Dual-technology (PIR and Ultrasonic) motion sensor, 180° detection pattern, isolated relay
SLSWPS1500	Wall mount PIR motion sensor, 110° detection pattern, isolated relay
SLSWUS1500	Wall mount Ultrasonic motion sensor, isolated relay
SLSWDS1500	Wall mount Dual-technology; PIR and ultrasonic motion

Low Voltage Switches

The Schneider Electric Low Voltage Switches are a series of aesthetically pleasing push button wall switches that can be mounted in various applications. The low voltage switches are designed to operate with Schneider Electric Occupancy Controllers, Powerlink, C-Bus, and relay panels. All switch models are available in white, almond, and ivory.

Technical Information

Connection type	External wires Gauge: #22 AWG stranded
Number of conductors/switch	SLSLVS1: 2 SLSLVS1L: 4 SLSLVS2: 3 SLSLVS2L: 7 SLSLVS1R: 2 SLSLVS2R: 3
Switch Operating Range	5 – 36 Vdc Max current of 50 mA @ 36 Vdc
LED Operating Range	5 – 36 Vdc Min operating current .150ma @ 5 Vdc Min operating current .275ma @ 12 Vdc Min operating current .385ma @ 24 Vdc Min operating current .470ma @ 36 Vdc
Conductor temperature rating	Not specified, select to meet UL Class 2 requirements
Conductor voltage rating	5 to 36 Vdc
Conductor length	6 inches from housing
Temperature	0 – 122° F (50° C)
Humidity	0 – 90% max. relative humidity non-condensing

*For Diagram see technical section page 26

Catalog Number	Description
SLSLVS1x	1-button, low voltage switch
SLSLVS1Lx	1-button, low voltage switch with LED
SLSLVS2x	2-button, low voltage switch
SLSLVS2Lx	2-button, low voltage switch with LED
SLSLVS1Rx	1-button Schneider Electric relay panel switch with LED
SLSLVS2Rx	2-button Schneider Electric relay panel switch with LED

'X' – Designates color: W: White, I: Ivory, G: Gray, L: Light Almond, B: Black

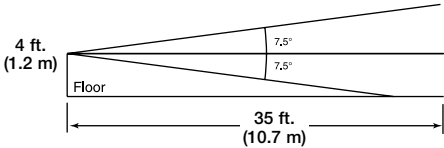
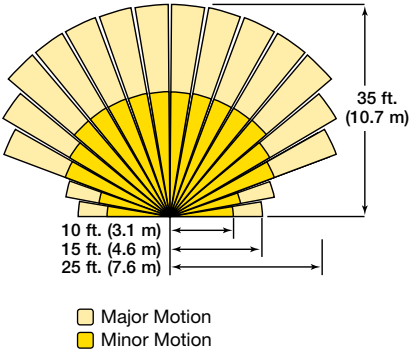


Low Voltage Switches

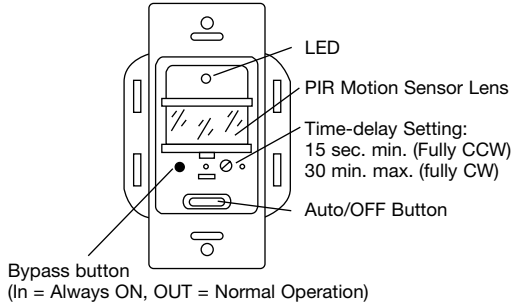
Product Features

- Provide simple momentary push button control.
- LED models provide pilot lights or status outputs.
- Operate on voltage ranges from 5 – 36 Vdc.
- Certain models are designed for use with Schneider Electric relay panels.
- Switches fit standard NEMA wall boxes.
- Decorator-style enclosure; wall plate included.

Wall Switch Occupancy Sensor

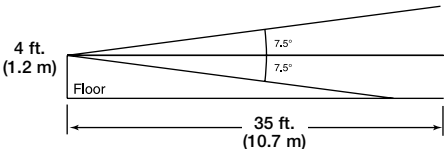
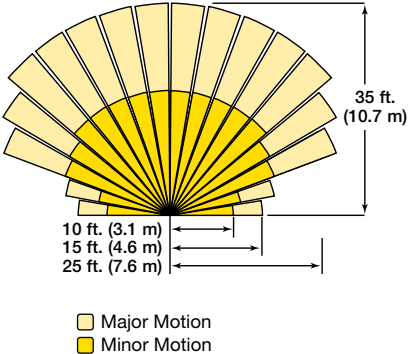


Sensor field of view

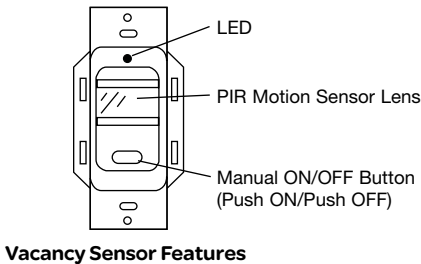


Sensor features

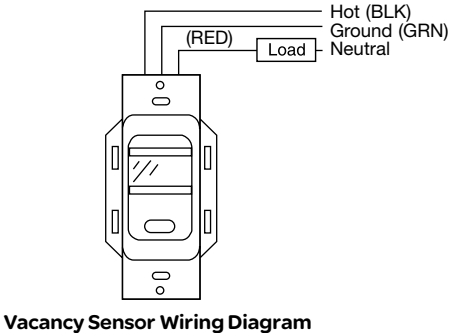
Residential Wall Switch Vacancy Sensor



Sensor field of view, Side



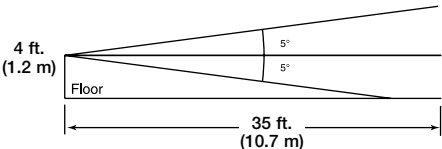
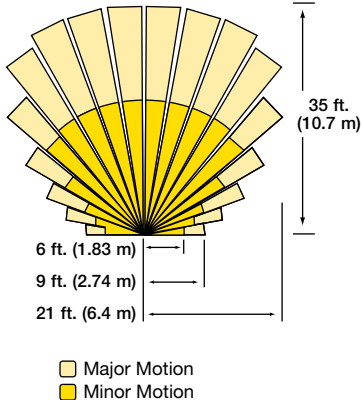
Vacancy Sensor Features



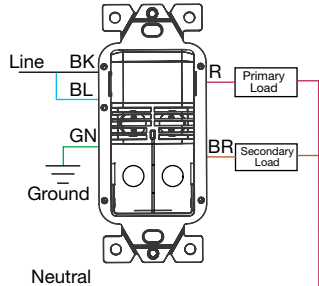
Vacancy Sensor Wiring Diagram

Commercial Grade Occupancy Sensors

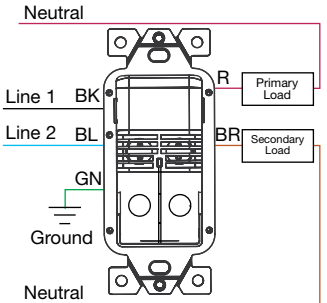
PIR Wall Switch



Side view of sensor field of view



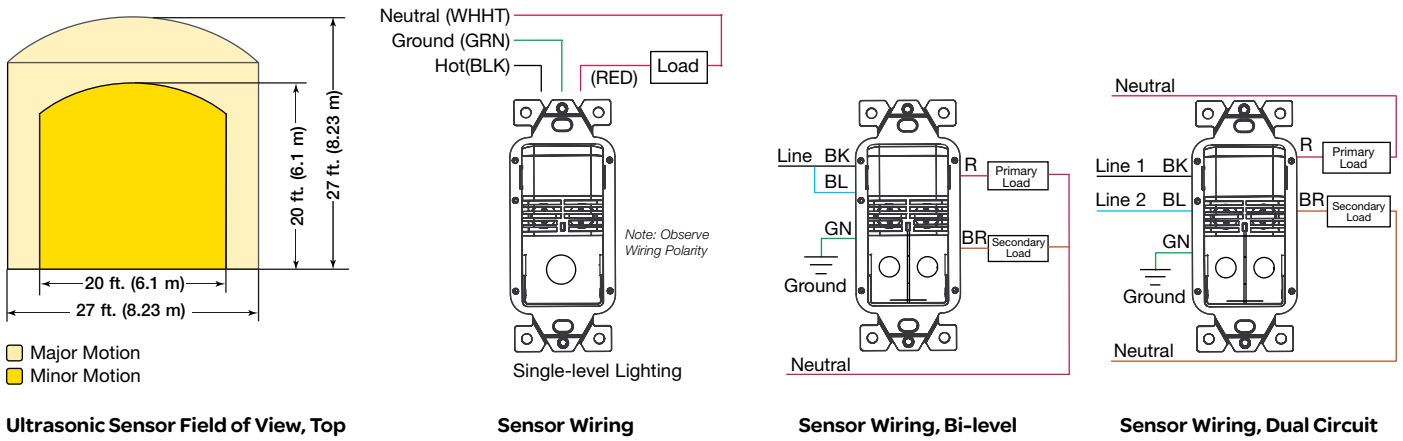
Sensor Wiring, Bi-level



Sensor Wiring, Dual Circuit

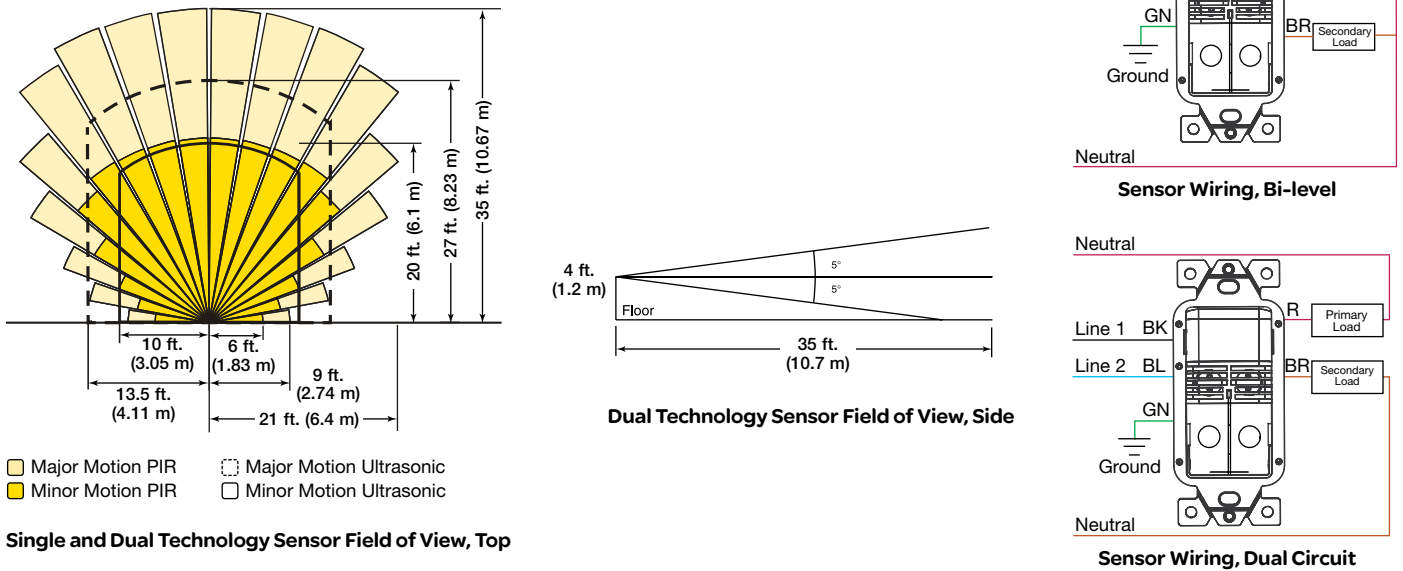
Commercial Grade Occupancy Sensors

Ultrasonic Wall Switch



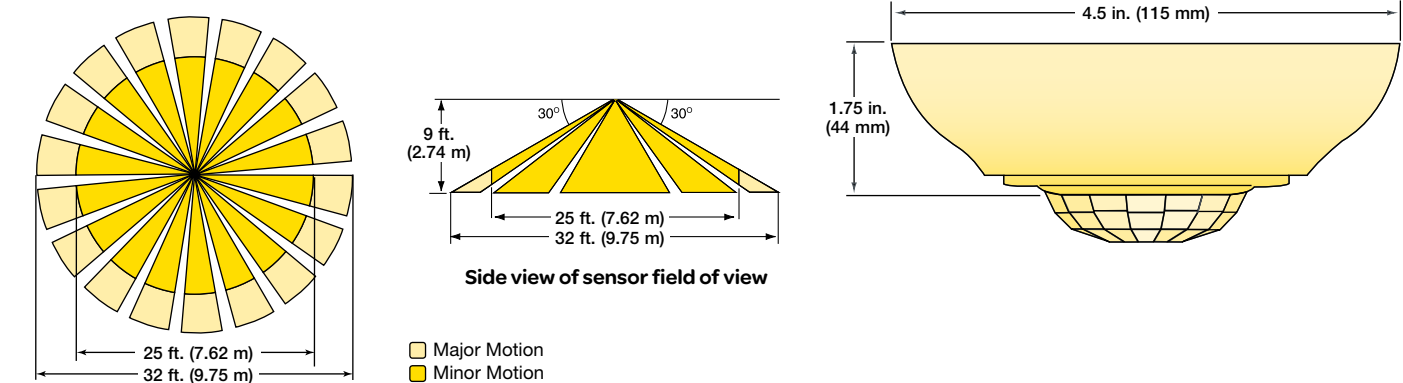
Commercial Grade Occupancy Sensors

Dual Technology Wall Switch



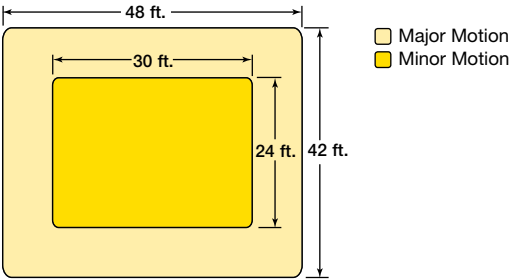
Ceiling Mounted Occupancy Sensor

PIR

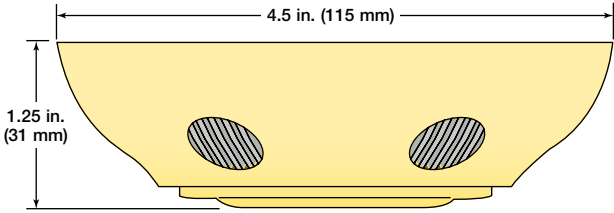


Ceiling Mounted Occupancy Sensor

Ultrasonic



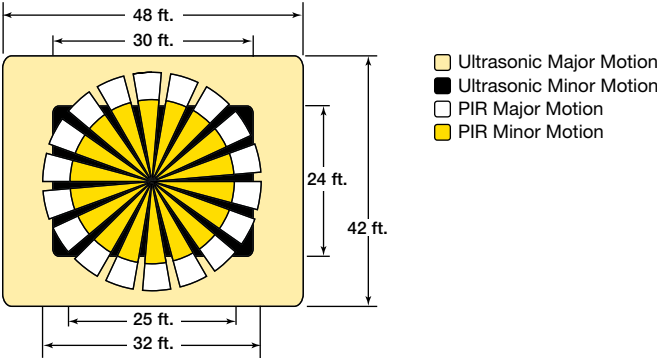
Area of Detection



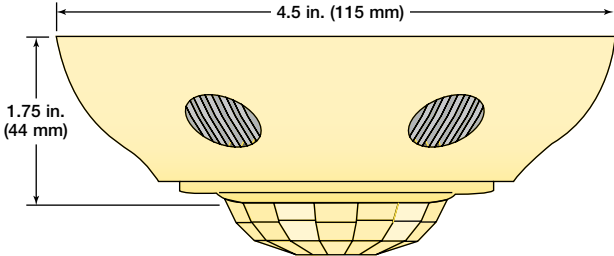
Side view of ceiling mounted sensor

Ceiling Mounted Occupancy Sensor

Dual Technology



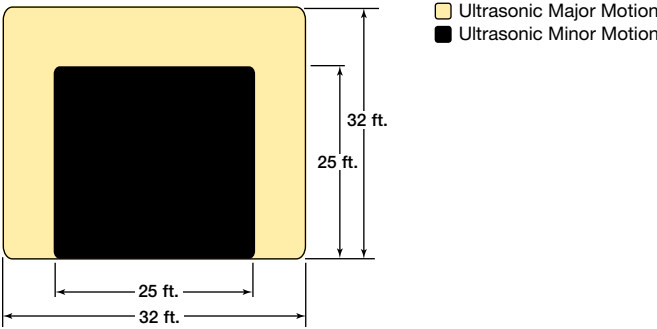
- Ultrasonic Major Motion
- Ultrasonic Minor Motion
- PIR Major Motion
- PIR Minor Motion



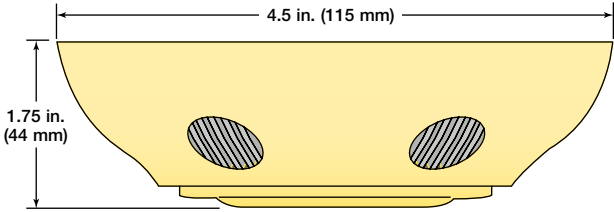
Side view of ceiling mounted sensor

180 Degree Ceiling-Mounted Occupancy Sensor

Ultrasonic



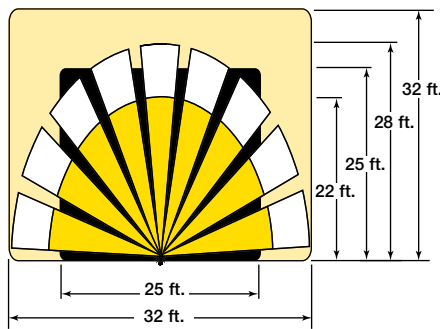
Area of Detection



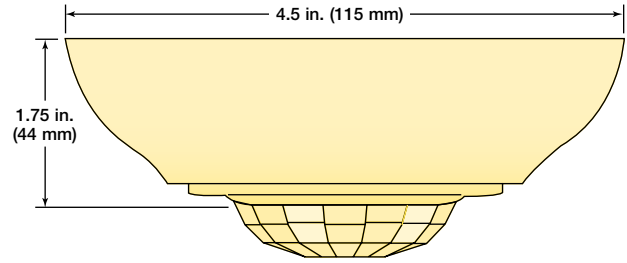
Side view of ceiling mounted sensor

180 Degree Ceiling-Mounted Occupancy Sensor

Dual Technology



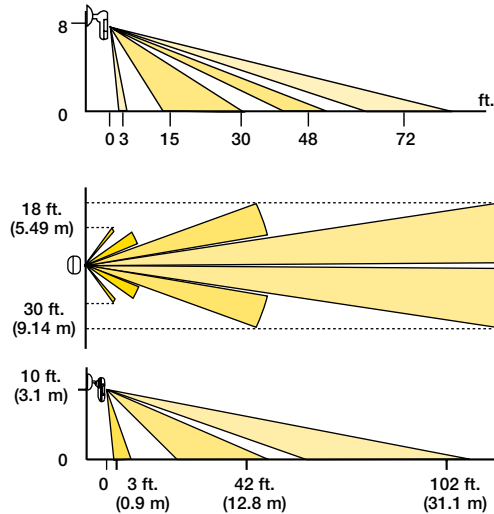
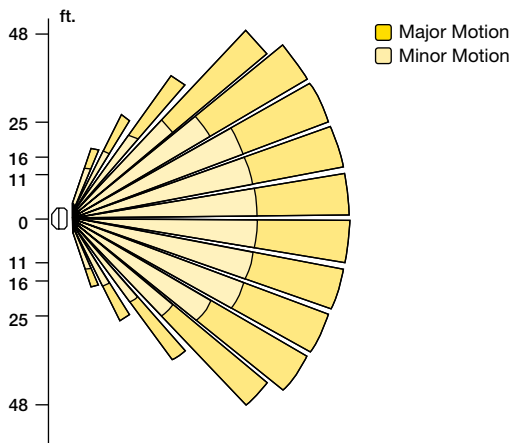
- Ultrasonic Major Motion
- Ultrasonic Minor Motion
- PIR Major Motion
- PIR Minor Motion



Side view of ceiling mounted sensor

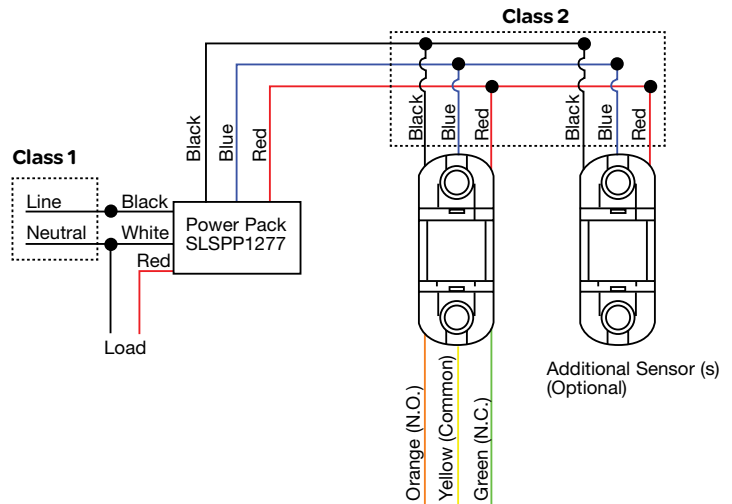
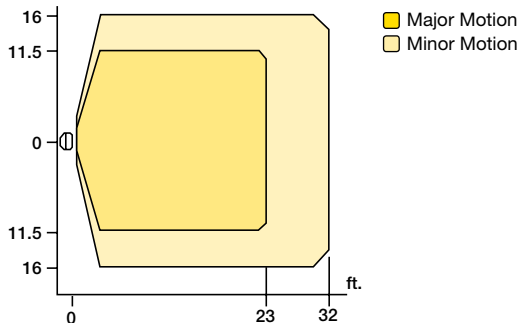
Wall Mounted Occupancy Sensor

PIR



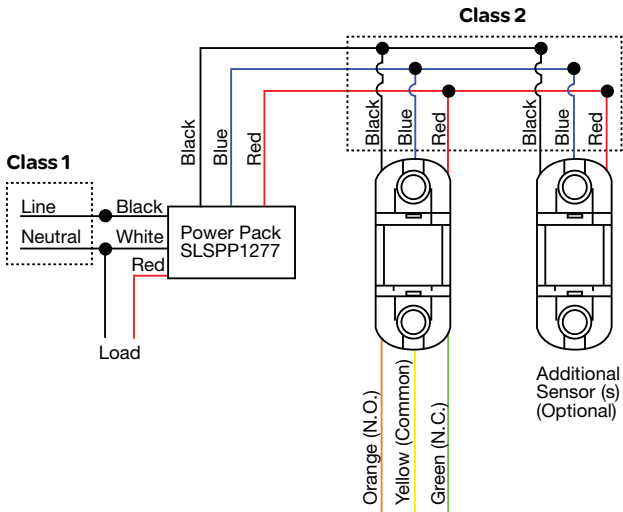
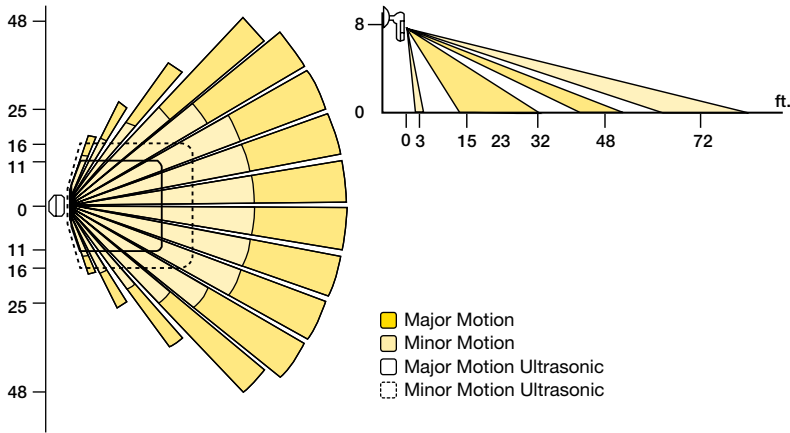
Wall Mounted Occupancy Sensor

Ultrasonic



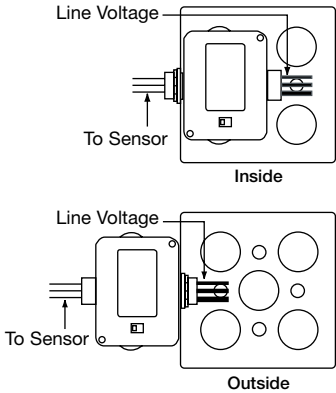
Wall Mounted Occupancy Sensor

Dual Technology

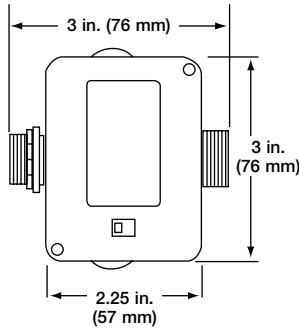


Power Pack and Auxiliary Relay

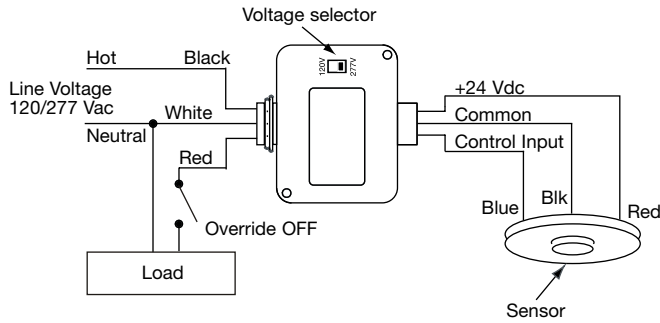
120 Volt and 277 Volt



Flexible Mounting



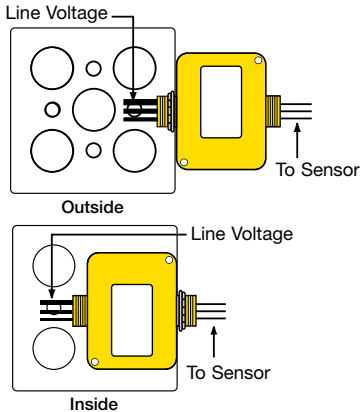
Front View Dimensions



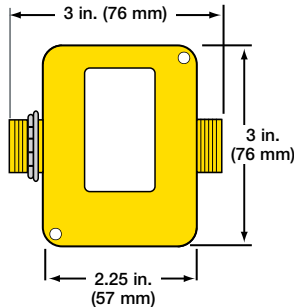
System Diagram

Power Pack and Auxiliary Relay

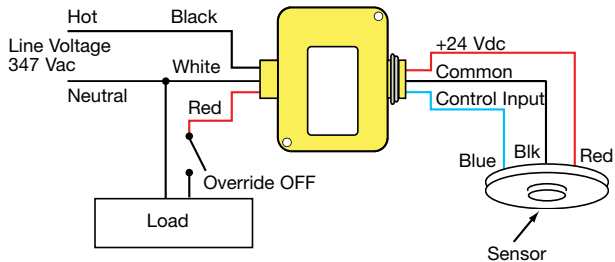
347 Volt



Flexible Mounting



Front View Dimensions



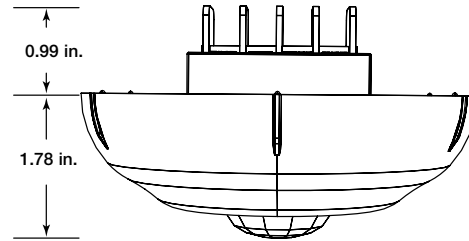
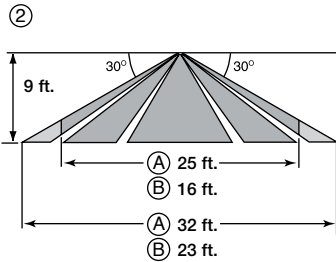
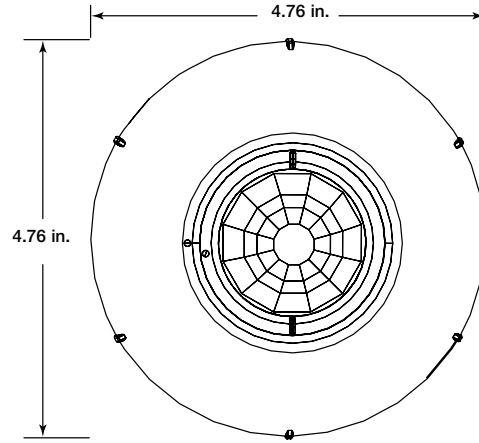
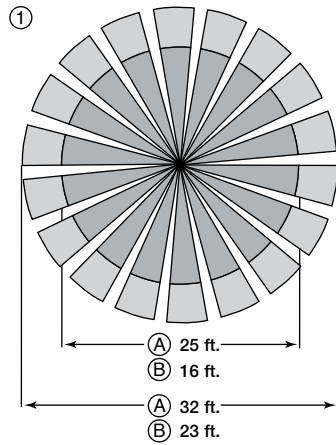
Wiring Diagram

Ceiling Mounted Line Voltage Occupancy Sensor

PIR

Key:

- 1. Top view
- 2. Side view
- A. 1,000 Sq. ft. lens
- B. 500 Sq. ft. lens
- Major motion
- Minor motion

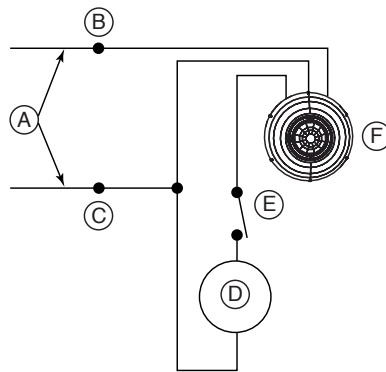


Ceiling Mounted Line Voltage Occupancy Sensors Wiring Diagram

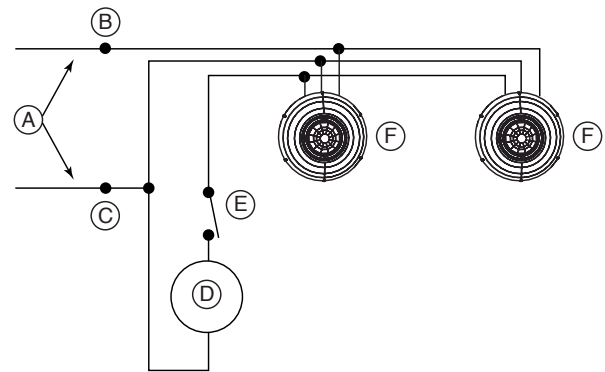
Key:

- A. Power source
(Refer to the operating range described in the specifications table.)
- B. Line/Hot (+)
- C. Neutral (-)
- D. Load
- E. Override (Off)
- F. Sensor (PIR shown)

Single Sensor

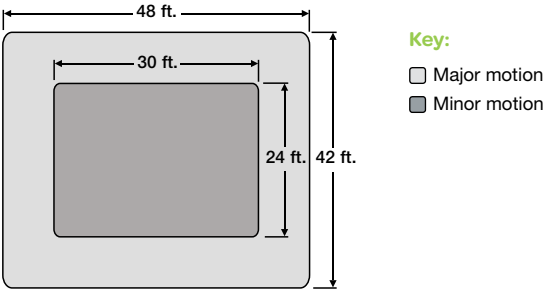


Multiple Sensors

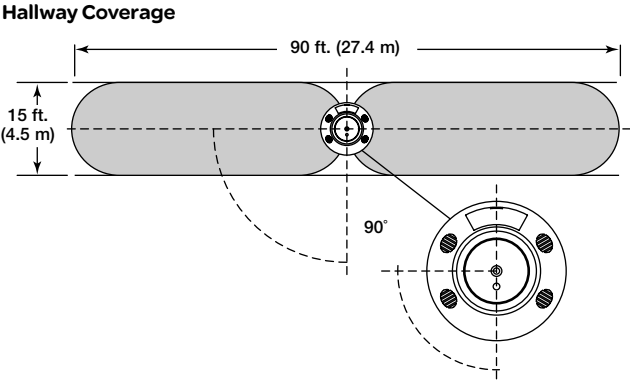


Ceiling Mounted Line Voltage Occupancy Sensor

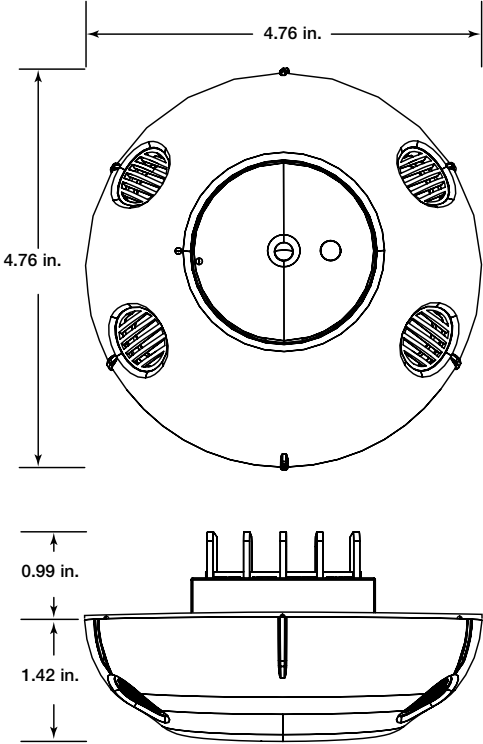
Ultrasonic



Top View Area Coverage (based on 9ft. mounting height)



Hallway Coverage

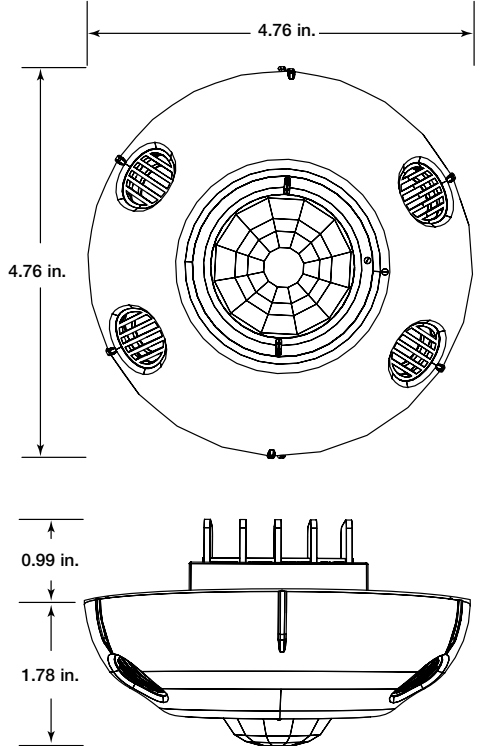
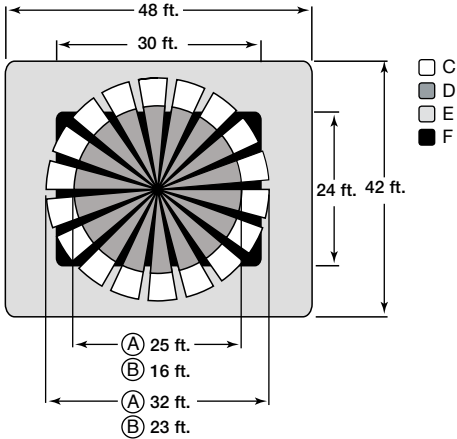


Ceiling Mounted Line Voltage Occupancy Sensor

Dual Technology

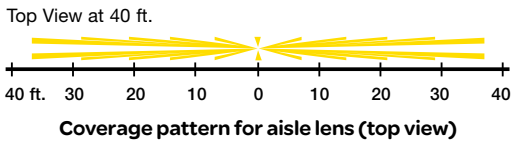
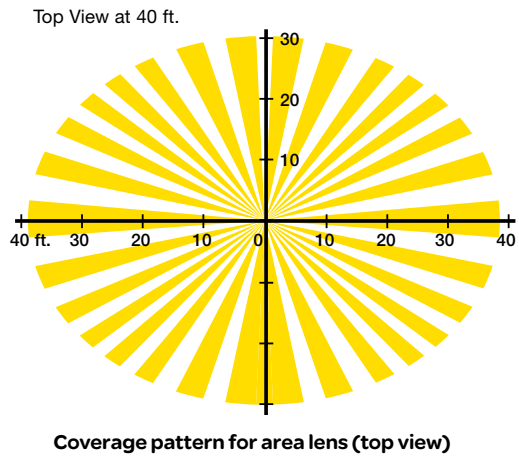
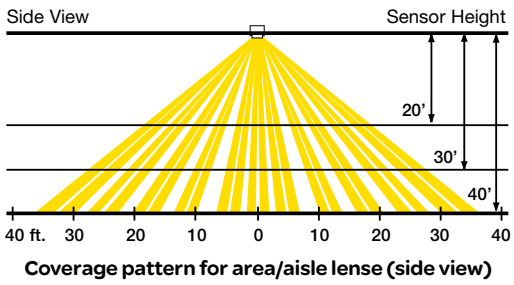
- Key:**
- A. 1,000 Sq. ft. lens
 - B. 500 Sq. ft. lens
 - C. PIR Major motion
 - D. PIR Minor motion
 - E. Ultrasonic major motion
 - F. Ultrasonic minor motion

(Based on 9 ft. mounting height)



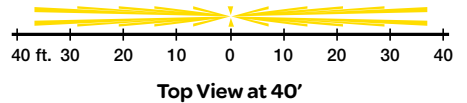
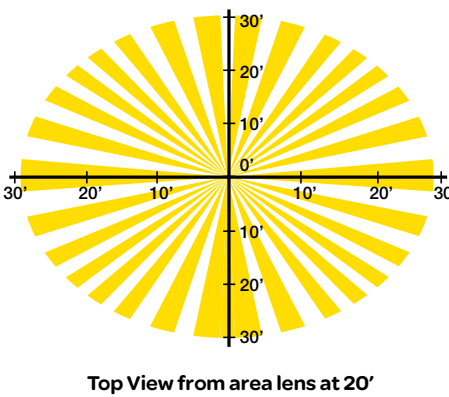
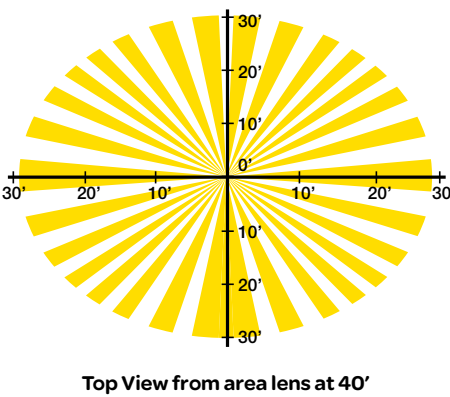
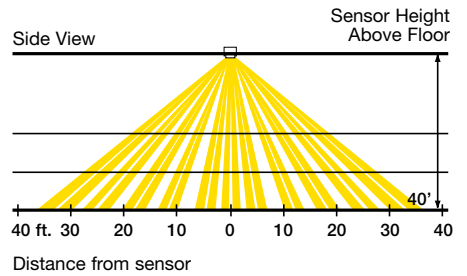
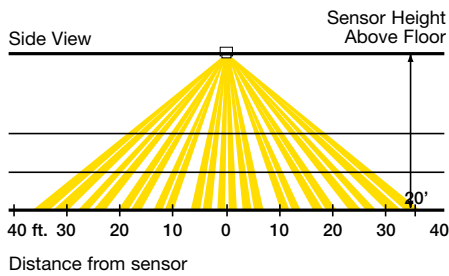
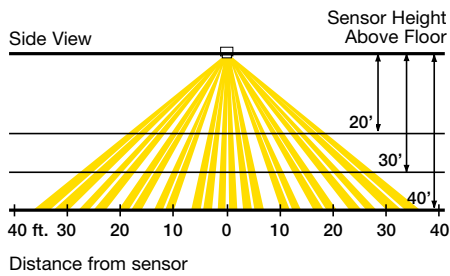
High Bay Occupancy Sensors

HID

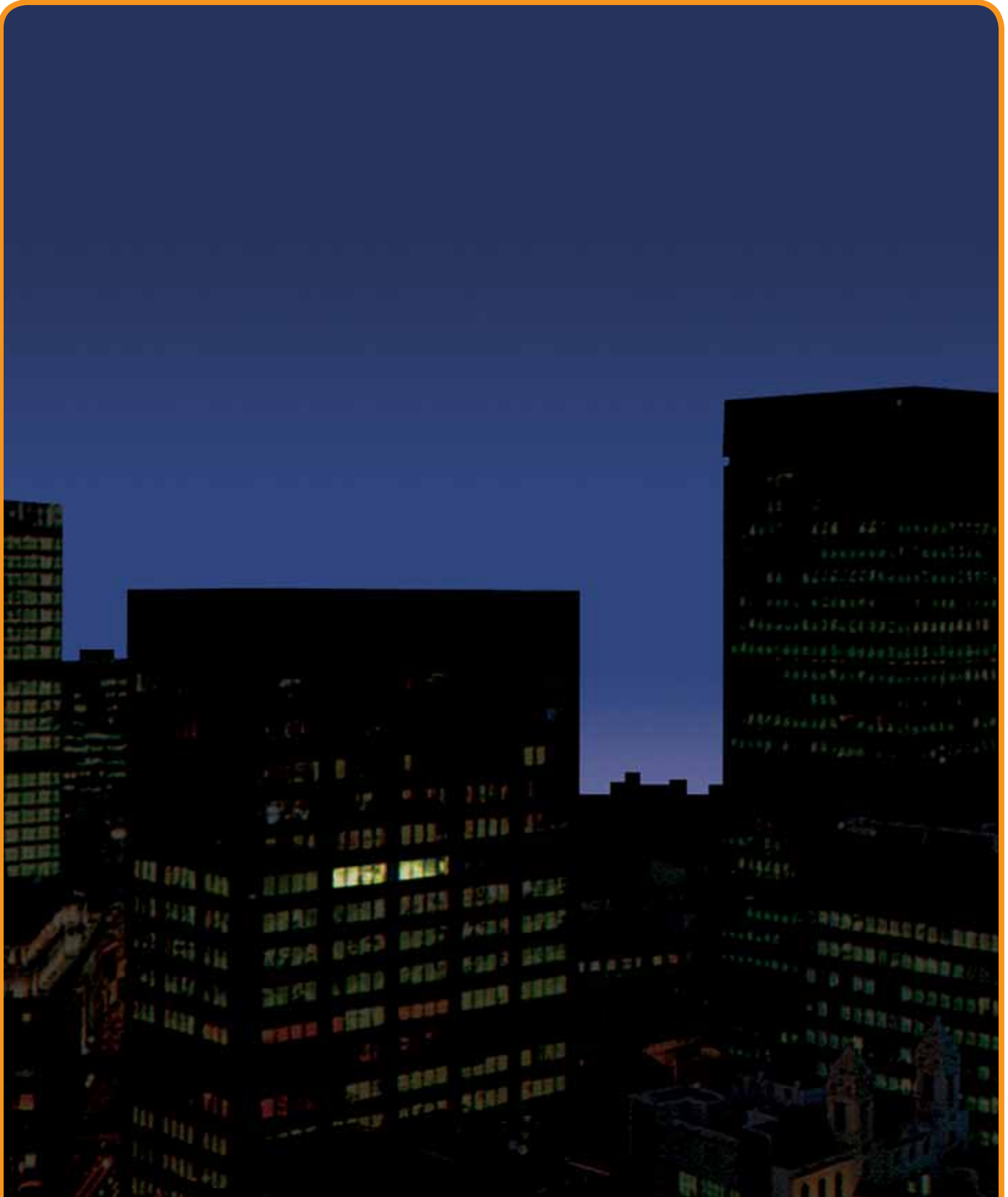


High Bay PIR Occupancy Sensor

Fluorescent



Emergency Lighting Control Devices





Emergency Egress Lighting Control Devices

Schneider Electric UL listed automatic load control relays (ALCR) enable designers to use standard lighting fixtures for the emergency lighting system fed by an emergency backup supply. Under normal operating power, the devices turn on and off emergency lighting along with standard lighting in an area. In the event of normal power loss, the ALCR detects the power loss, and will automatically switch on emergency power to the fixtures. With an

Automatic Load Control Relay, emergency lighting is only turned on when necessary. During normal non-operating hours, the emergency lighting is Off, providing further energy savings and extended lamp life. Schneider Electric provides a wide selection of Emergency Lighting Control Devices that work with occupancy and dimming-based lighting controls.

Automatic Load Control Relays

SLSERC1277

The Automatic Load Control Relay is a UL 924 Listed Emergency Lighting Control Device.

It provides a means of turning on and off emergency lighting along with regular lighting. The Automatic Load Control Relay is designed to sense when a power outage occurs, then switches on the connected emergency lighting load.

Technical Information

Sensing Input	120 V or 277 V
Load	120 V or 277 V
Load Rating	20 A
Contact	NC
Wiring:	
Input Control	18 AWG (wires labeled 1,2,3,4)
Emergency Control	14 AWG (wires labeled 5,6)
Standards	UL/cUL listed; UL 924, UL 94V-0 Flame Rating
Mounting	Mount in a junction box with a blank cover in the same location as the controlled lighting.
Weight	8 oz. (227 g)
Temperature	32° F to 140° F (0° C to 60° C)
Dimensions (LxWxH)	3.75 in. x 1.75 in. x 1.5 in. (95.25 mm x 44.45 mm x 38.10 mm)

*For Diagram see technical section page 32

Catalog Number	Description
SLSERC1277	Automatic Load Control Relay 120 V and 277 V



Automatic Load Control Relay

Product Features

- 120 V or 277 V.
- Meets NEC2011 Article 700
- Patented self-test feature that shows emergency power is operating every time the light switch is turned OFF.
- Visible LEDs for easy diagnostics.
- No programming required and easy to install.
- Use with new or existing lighting fixtures.
- Use with Schneider Electric occupancy sensors.
- All models are constructed with UL 94 V-0 rated plastics.
- UL/cUL listed.

Dimming Automatic Load Control Relay

SLSEDC120 and SLSEDC277

It provides a means of turning on/off and dimming control of emergency. The DALCR is designed to detect power outage events and switch on the connected emergency lighting load to maximum light level. The DALCR sends phase angle, 0 – 10 V, and three-wire ballast loads to full bright in a emergency egress lighting event. When utility power is restored, the units will revert back to their previous controlled state.

Technical Information

Model	SLSEDC120	SLSEDC277
Ballast	120 Vac, 20 A	277 Vac, 20 A
Tungsten	120 Vac, 1800 W	277 Vac, 1500 W
General Use	20 A	20 A
Wiring	14 AWG	
Standards	UL/cUL listed; UL 924, UL 94V-0 Flame Rating	
Mounting	4 in. square electrical enclosure. Mount in either the same location of the controlled lighting, or in a remote location away from the controlled lighting.	
Weight	16 oz. (453.6 g)	
Temperature	32° F to 140° F (0° C to 60° C)	
Dimensions (LxWxH)	5.125 in. x 5.125 in. x 2.25 in. (130.175 mm x 130.175 mm x 57.15 mm)	

*For Diagram see technical section page 32

Catalog Number	Description
SLSEDMC120	Dimming Automatic Load Control Relay 120 V
SLSEDMC277	Dimming Automatic Load Control Relay 277 V



Dimming Automatic Load Control Relay

Product Features

- 120 V or 277 V.
- Meets NEC2011 Article 7
- Patented self-test feature that shows emergency power is operating every time the light switch is turned OFF.
- Visible LEDs and test switches for easy diagnostics.
- No programming required and easy to install.
- Use with new or existing lighting fixtures.
- Use with C-Bus and other dimming solutions, 0 – 10 V, phase angle, and DALI.
- All models are constructed with UL 94 V-0 rated plastics.
- UL/cUL listed.

Panel Mount Automatic Load Control Relay

SLSEPMC120 and SLSEPMC277

The Panel Mount Automatic Load Control Relay is a UL 924 Listed emergency lighting control device. It provides a means of turning on and off emergency lighting along with regular lighting. The Panel Mount Automatic Load Control Relay is designed to sense when a power outage occurs, then switches on the connected emergency lighting load.

Technical Information

Model	SLSEPMC120	SLSEPMC277
Ballast	120 Vac, 20 A	277 Vac, 20 A
Tungsten	120 Vac, 1800 W	277 Vac, 1500 W
General Use	20 A, 1 HP	20 A, 1 HP
Terminal	12 to 14 AWG	
Maximum Terminal Torque	1.15 lb/ft. (16 kg/cm)	
Standards	UL/cUL listed; UL 924, UL 94V-0 Flame Rating	
Mounting	Electrical enclosure. Mount in a remote location away from the controlled lighting.	
Weight	7 oz. (198.45 g)	
Temperature	32° F to 140° F (0° C to 60° C)	
Dimensions (LxWxH)	3.5 in. x 3 in. x 3 in. (88.9 mm x 76.2 mm x 76.2 mm)	

*For Diagram see technical section page 33

Catalog Number	Description
SLSEPMC120	Panel Mount Automatic Load Control Relay 120 V
SLSEPMC277	Panel Mount Automatic Load Control Relay 277 V

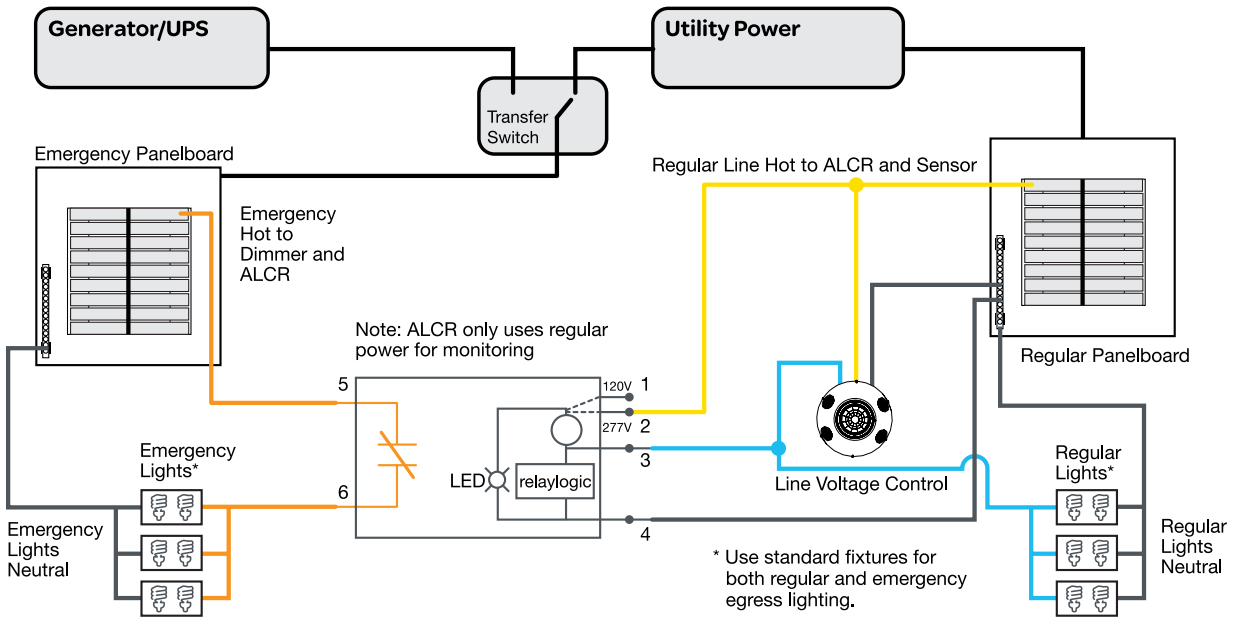


Panel Mount Automatic Load Control Relay

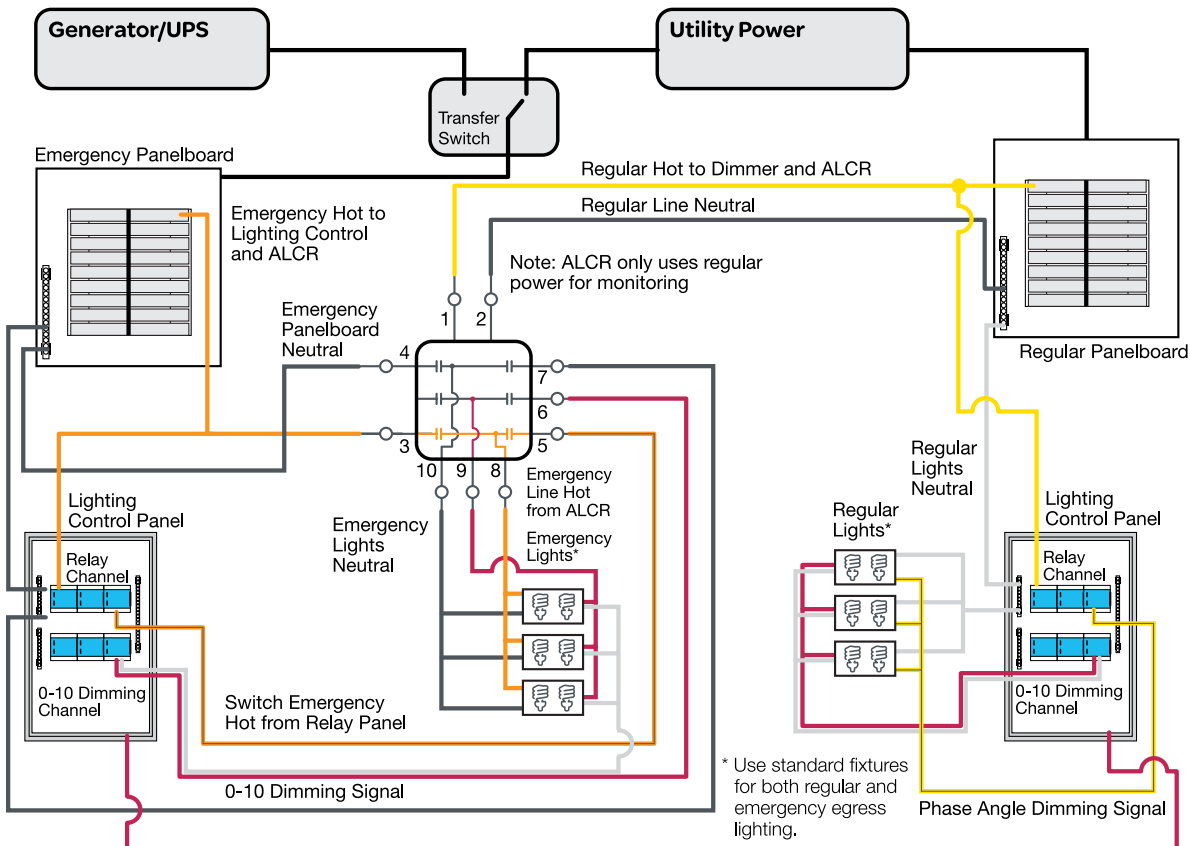
Product Features

- 120 V or 277 V.
- Meets NEC2011 Article 700
- Patented self-test feature that shows emergency power is operating every time the light switch is turned OFF.
- Visible LEDs and test switches for easy diagnostics.
- No programming required and easy to install.
- Use with new or existing lighting fixtures.
- Suitable for use with Schneider Electric relay panels or Powerlink Lighting Control Systems.
- All models are constructed with UL 94 V-0 rated plastics.
- UL/cUL listed.

Emergency Lighting Control Relay



Emergency Lighting Dimmer Control



Note:

Under Regular Power relay 5 is closed and relay 3 is open allowing the lighting control panel power to flow between input 5 and output 8.

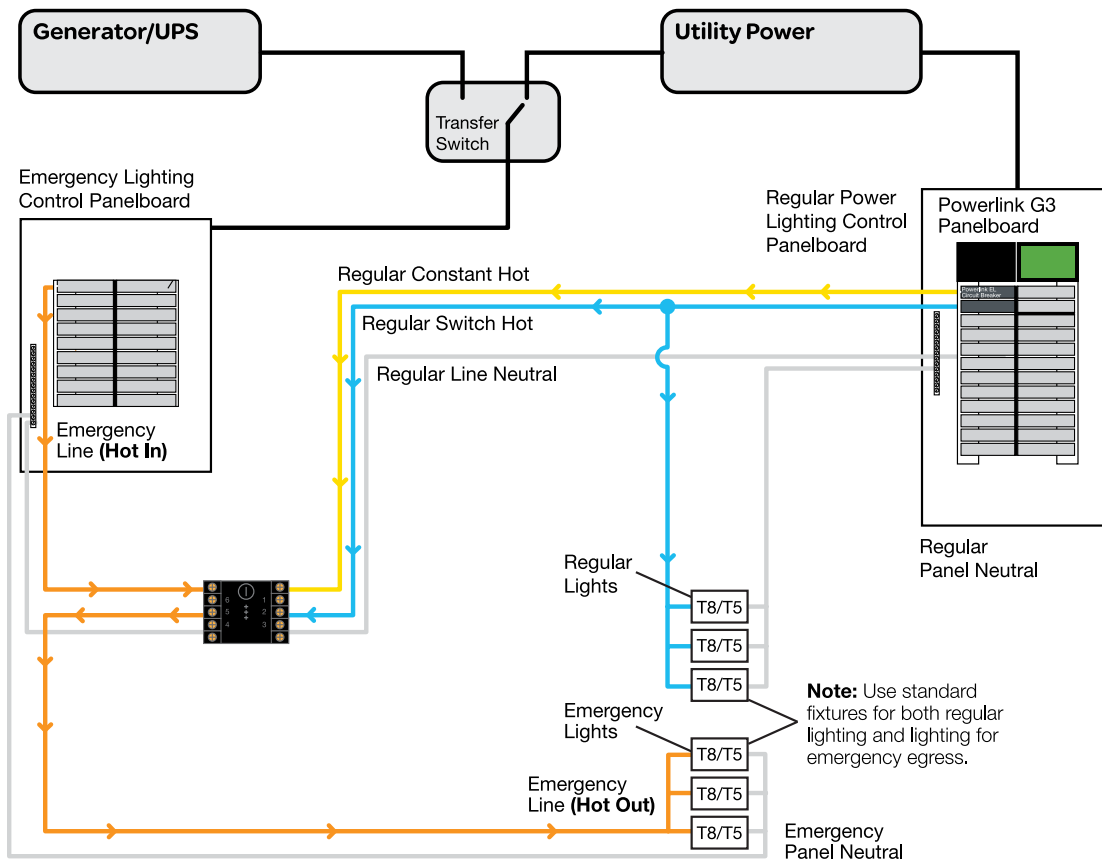
Under Regular Power relay 6 is closed allowing 0-10 dimming signal to flow between input 6 and output 9.

Under Emergency Power relay 5 is open and relay 3 is closed allowing constant power between input 3 and output 8.

Under Emergency power relay 6 is open sending the 0-10 dimming signal to full bright.

Class 2 Lighting Control Panel Communication

Emergency Lighting Control Relay Panel Mount



Typical system configuration utilizing the G3 Powerlink Panelboard. The Emergency lighting control panelboard is also compatible with other system and relay configurations.





Emergency Lighting Control Panelboards





Emergency Lighting Control Panels/Panelboards

Operational processes, code compliance, cost reduction, sustainability solutions, architectural aesthetics — the list of commercial facility needs is long and difficult to balance.

A key factor in all of the above, lighting contributes to facility costs and operations. With lighting control enhancements you can gain energy efficiency, cost savings, sustainability, along with personal comfort and convenience. Emergency egress lighting requirements can be a complicating factor in effective lighting design and energy management.

Simplifies Design Process

- Allows standard lighting fixtures to be used for emergency lighting
- Provides ability to share lighting controls such as timers, switches, and occupancy sensors with emergency egress lighting

Speeds Installation

- Factory assembled and installs quickly and easily reducing labor time and costs
- Space saving design with less wiring and easy access

Supports Sustainability

- Normal use of schedule, switch, and occupancy-sensor device controls to be shared on emergency lighting circuits reduces energy waste
- Reduced wiring and lighting fixtures needed
- Easily supports centralized power source (Generator or inverter) for emergency lighting eliminating distributed emergency batteries

Streamlines Maintenance Testing

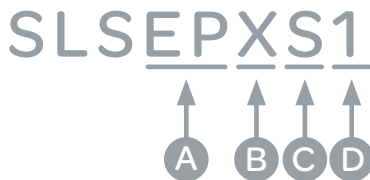
- Patented “switch test” — test buttons at panels/panelboards for each ALCR [NEC (NFPA70) and UL 924]
- Visible LEDs for utility and emergency power diagnostics
- Centralized location for facility-wide emergency lighting maintenance and testing

Emergency Lighting Control Panel

With the Emergency Lighting Control Panels by Schneider Electric, design, installation, inspection, and ongoing testing requirements for emergency lighting are streamlined. Energy efficiency is gained by allowing the normal use of schedule, switch, and occupancy-sensor device controls to be shared on emergency lighting circuits. This innovative, centralized, control solution for emergency lighting is a fail safe approach in support of improved sustainability.

Ordering Information

ELCPs are ordered based on the enclosure mounting location (surface or flush), the number of ALCRs, and the voltage used by the panel mounted devices (120 V or 277 V).



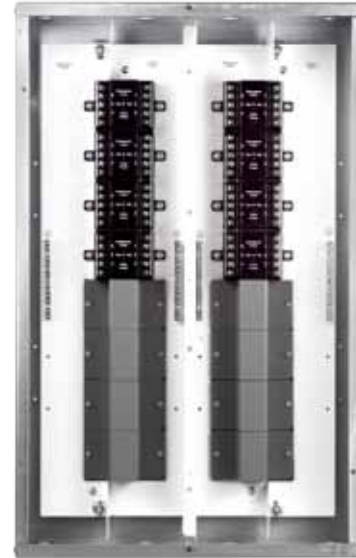
Panel Number Explanation (Key)

- A** Emergency panel
- B** X = The number of panel mounted devices
- C** S = Surface mount,
F = Flush mount
- D** 1 = 120 V
2 = 277 V

Each shipment contain one enclosure with 6 to 24 panel mounted devices (SLSEPMC120 or SLSEPMC277) and this instruction bulletin.

Note: ELCPs are available for order with an even number of ALCRs, ranging from 6 to 24 ALCRs.

For Diagram see technical section page 39



Emergency Lighting Control Panel

Product Features

- Designed to be mounted between emergency and regular circuit breaker panelboards
- Isolated power channel design ensures emergency and regular power never share the same space in accordance with NEC
- Supports from 6 to 24 20 A Automatic Load Control Relays (ALCR)
- Available in 277 Vac and 120 Vac
- Short Circuit Current Rating 65 kA @ 120 Vac, 18 kA @ 277 Vac
- UL 924 and UL 50 Listed
- NEMA® Type 1 enclosure
- Available in flush and surface mount
- Equipped with lockable covers
- Accepts up to 10 AWG wire for long wire runs
- Onboard test switch for each relay simplifies ongoing maintenance requirements
- Integrates with lighting control products

Emergency Lighting Control Panelboard

Schneider Electric introduces the first centralized, all-in-one panelboard with onboard automatic load control relays (NEC (NFPA70) and UL 924). This unique combination of breaker and ALCR (NEC (NFPA70) and UL 924) panelboard allows facilities to streamline operational processes, reduce costs, improve sustainability, and use advanced lighting control technologies. It also easily supports a centralized emergency power source (generator or inverter) for emergency lighting.

This elegant solution simplifies:

- Integrates multiple ALCR [NEC (NFPA70) and UL 924] and emergency lighting breakers into a centralized, self contained panelboard
- Consolidates standard lighting fixtures with emergency lighting
- Provides ability to share lighting controls such as timers, switches, and occupancy sensors with emergency egress lighting

Product Features

- Emergency Lighting Control Panelboard (2 – 16 Automatic Load Control Relays with a option of NF or NQ breakers)
- Available in both 120 V and 277 V models as well as 125 and 250 Amp
- Suitable for use with Schneider Electric Relay Panels or Powerlink Lighting Control Systems
- UL listed

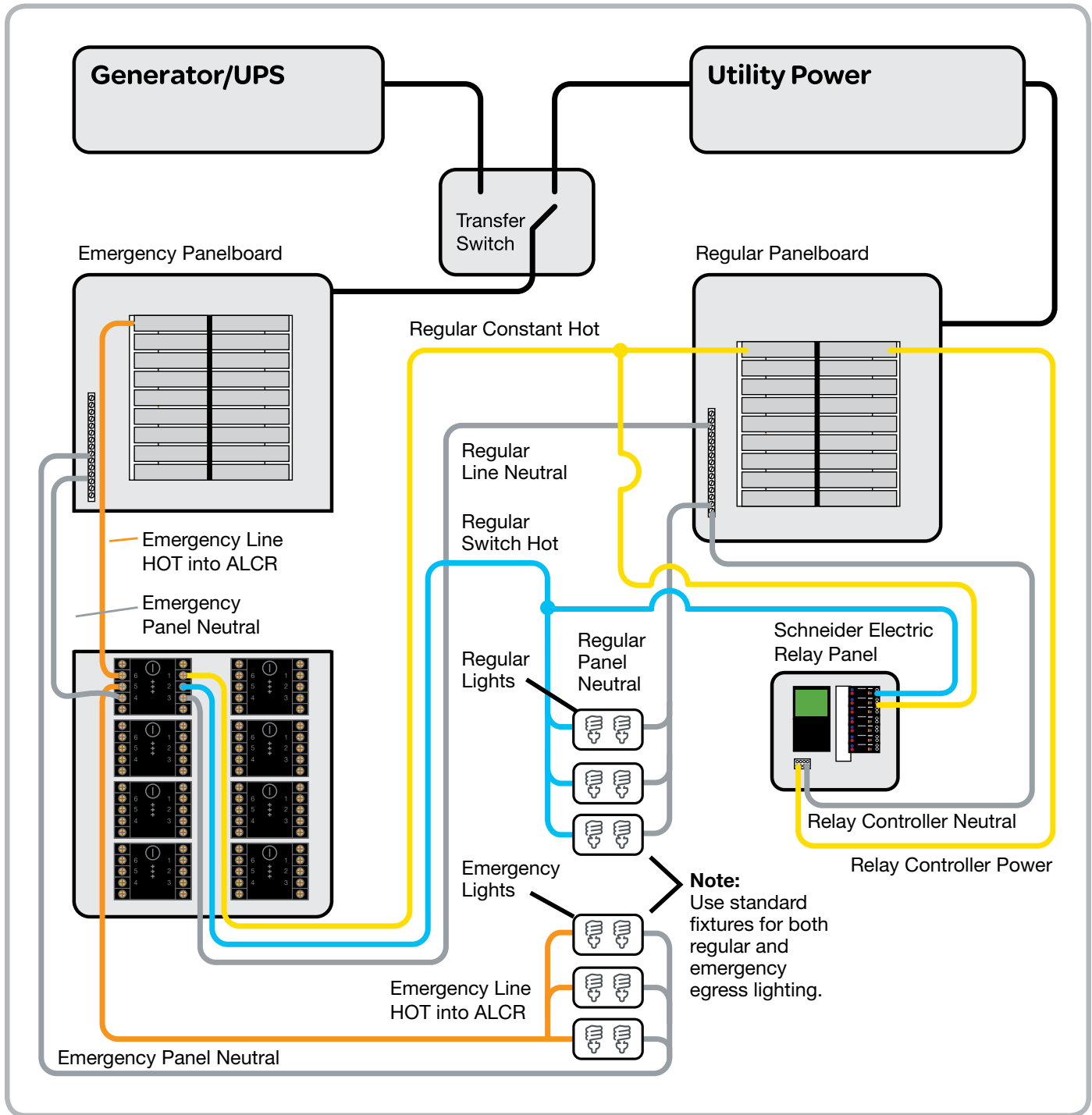
For Diagram see technical section page 40



Emergency Lighting Control Panelboard

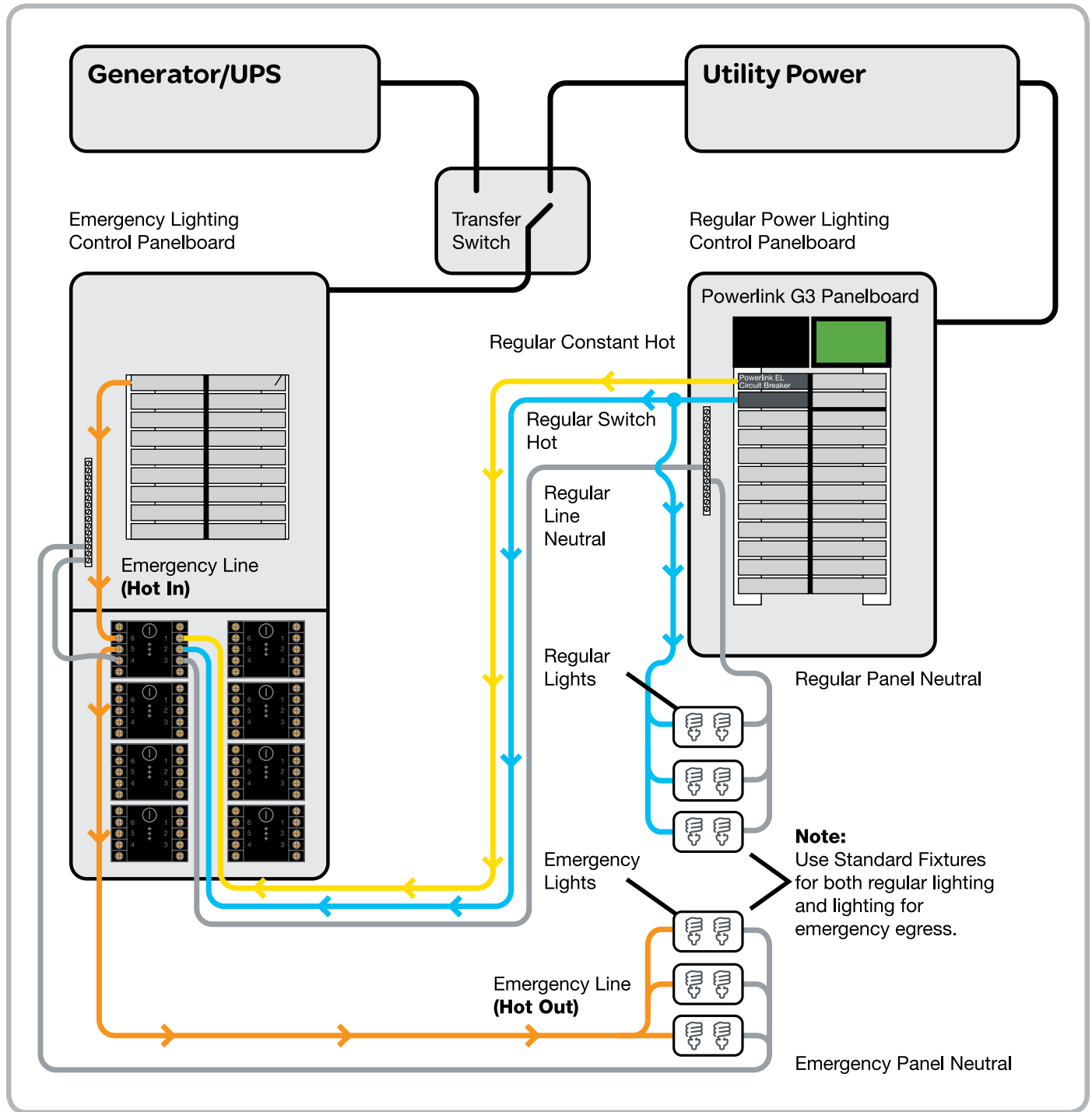
Emergency Lighting Control Panel Panel Installation

Typical system configuration utilizing the G3 Powerlink Panelboard. The Emergency lighting control panelboard is also compatible with other system and relay configurations.



Emergency Lighting Control Panelboard Panelboard Installation

Typical system configuration utilizing the G3 Powerlink Panelboard. The Emergency lighting control panelboard is also compatible with other system and relay configurations.



Current Limiting Panels for Track Lighting





Current Limiting Panels

Energy codes typically require lighting power density calculations for track lighting to be based on the linear feet of installed track. Some codes stipulate multipliers as low as 30W per foot of track, while others use a multiplier as high as 70W per foot of track. When energy

efficient lighting is used, the connected load is typically much less than the per-foot multipliers given in the energy codes. This penalizes lighting designs that employ track lighting and may threaten retail environments where higher light levels are needed.

Current Limiting Panels

Current Limiting Panels eases the burden of meeting today's stringent energy codes like California Title 24. Typically used for track lighting applications, these panels limit the power available to a lighting branch circuit by incorporating a special circuit breaker into the branch circuit.

Because the Current Limiting panel limits the available power to a specified level, designers can better reflect the actual power requirements into their load density calculations. Power level will be substantially lower than by using the standard multipliers given for track lighting.

Panels are readily accessible providing easy access for inspection and maintenance. These panels also incorporate circuit breakers rated for the higher available fault currents found on many 120 V systems. In addition, the use of supplementary protectors provides a convenient means for isolating individual track circuits.



Current Limiting Panel

Technical Information

Item	Track-Limiting Panel
Type	NEMA 1 Indoor
Box	Galvanized steel
Finish	ANSI 49 Gray
Voltage Rating	120 VAC@10 kA or 277 VAC@5 kA
Short Circuit Current Rating	10,000 A
Branch Circuit Ampere Ratings	0.5 A, 1 A, 2 A, 3 A, 4 A, 5 A, 6 A, 7 A, 8 A, 10 A, 15 A, 16 A
Branch Circuit Terminals	Box lugs: #18 – 4 AWG (1 – 25 mm ²)
Operating Environment	77° F (25° C)
Standards	UL1077, UL508A
Listings/Certifications/Compliance	California Title 24, ASHRAE 90.1 compliant

Product Features

- Readily accessible panel mounted enclosures
- Flush or surface mounting
- Hinged door with key-locking latch
- Up to 42 circuit breakers per enclosure
- Circuit breakers rated 0.5 A – 16 A
- Factory assembled, tested, and labeled
- CA Title 24 compliant

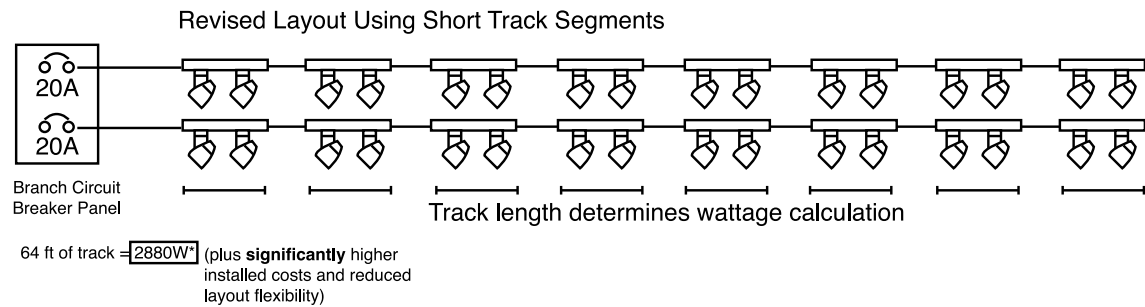
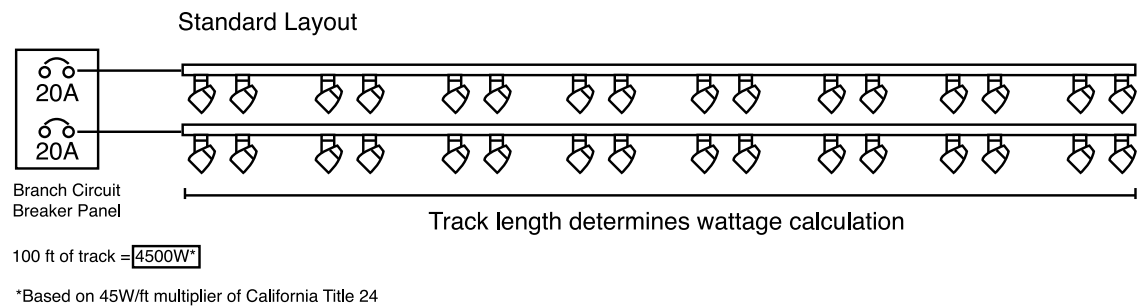
Enclosures are available for mounting up to 21 or 42 circuits. Both enclosures are available for flush or surface mounting.

Enclosure	Enclosure Cabinet Dimensions (H x W x D)
12M	14.25 in. x 9 in. x 3.75 in. (362 mm x 229 mm x 95 mm)
21M	14.25 in. x 3.75 in. x 17.92 in. (362 mm x 95 mm x 455 mm)
42M	14.25 in. x 3.75 in. x 33.78 in. (362 mm x 95 mm x 858 mm)

Energy codes typically calculate track lighting loads based on linear feet of installed track. Some codes use a multiplier as low as 30 watts/foot while others use a multiplier as high as 70 watts/foot. When using the energy efficient lighting technologies available today, the connected load is typically much less than the per-foot multipliers used by most energy codes. This penalizes lighting designs that employ track lighting and wastes available lighting watts that could be used more effectively.

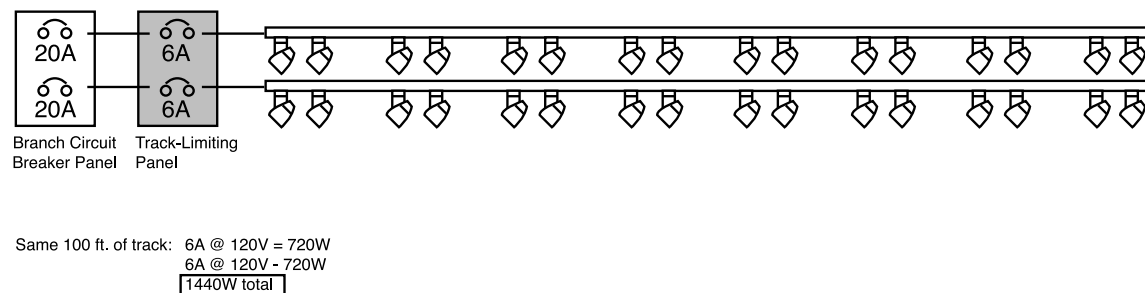
Below is a typical track lighting example. The Standard Layout consists of two 50' runs of single circuit track, each with sixteen 39W track heads for a total connected load of 1376W. The Revised Layout Using Short Track Segments has the same 1376W connected load but uses sixteen short 4' track segments (64'), each fed separately, to help minimize the impact of the watts per foot multiplier. The scenario with the Track-Limiting Panel uses the original two 50' runs of single circuit track, with each monitored by a 6 Amp current limiting circuit breaker that is closely matched to the actual connected load of 1376W. This results in the minimum calculated watts per the energy codes.

Without the Current Limiting Panel



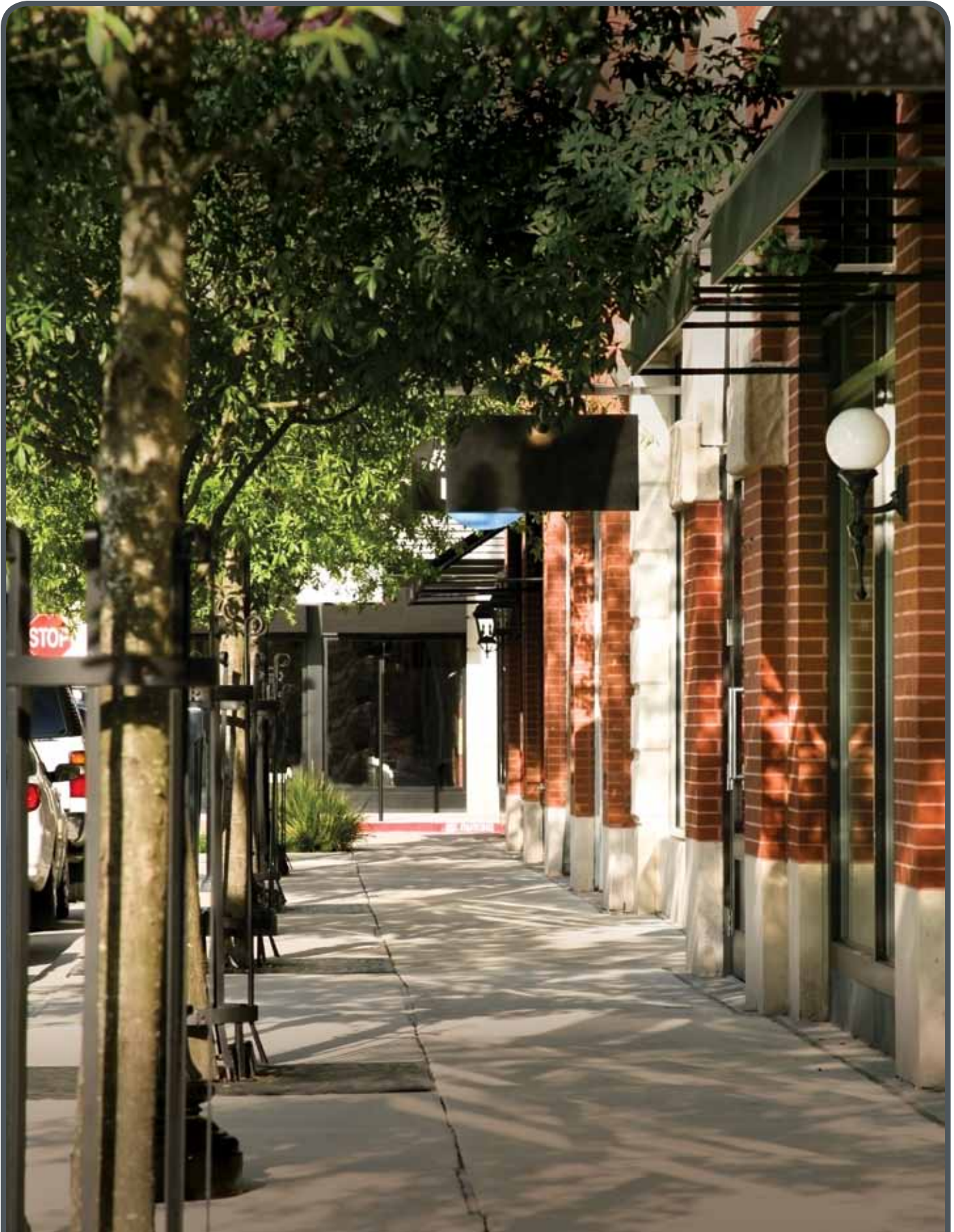
With the Current Limiting Panel

The Current Limiting Panel installs between the branch circuit breaker and the track lighting, solving the energy code calculation discrepancy, making the wattage calculation independent of track length.





Relay Panels





Relay Panels

Lighting control relay panels from Schneider Electric will put you in control of your lighting, your comfort and your energy costs. Regardless of your need, our relay panels give you a reliable solution at an affordable cost.

Fully scalable solution

Whether you're creating a lighting control system for a single room or a whole facility, the Schneider Electric line of relay panels offer scalable systems to fit your needs now. And, as your building needs change, the system can easily grow to meet those demands.

Our solutions are designed around the size and requirements of your application. All this with a common platform and easy installation practices. Talk about flexibility

Building automation integration

We have designed the LPB BACnet and LPL LonWorks panels to integrate easily with other facility operations. HVAC, security, fire, you name it. We've teamed up with other control manufacturers to ensure full compatibility and communication between systems. Just what you'd expect from a global electrical industry leader.

The result: seamless solutions that deliver the energy savings and connectivity you demand — meeting your highest performance and budget expectations. What could be simpler?

Heavy-duty design

The lighting control relay panels offer a more robust solution with the inclusion of a removable hinged door with key lock. The heavy-duty design is ideal for placement in electrical rooms or exposed areas. Individually replaceable, all-enclosed relays also provide a more cost-effective replacement solution.

Energy savings

Lighting control holds incredible potential for energy savings. In fact, even with newer energy-efficient lighting lamp and ballast combinations, lighting is still the number one source of energy consumption in any building.

Automated occupant control

There's no reason to light a room when nobody's in it. Turning off lights in areas such as meeting rooms, corridors, and offices can reduce energy costs significantly.

LPS panels

LPS standalone. Easy control for low-voltage switching applications.

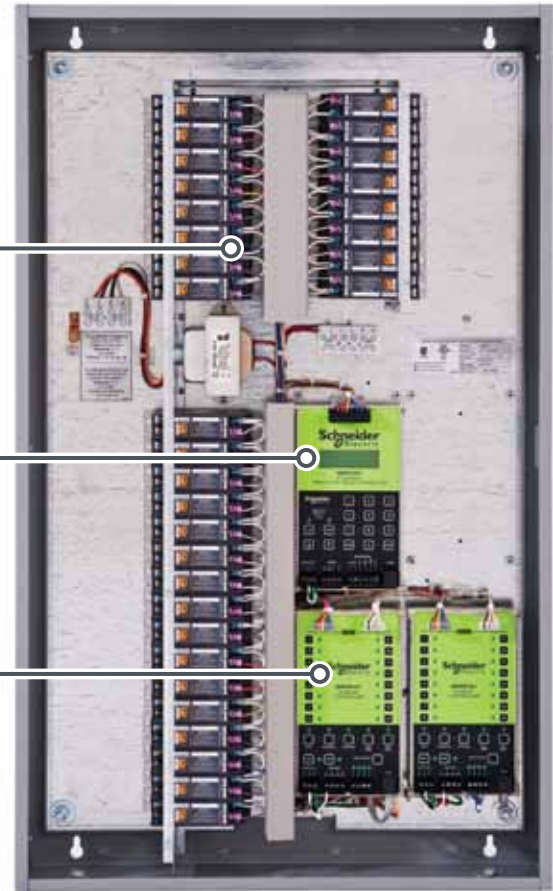
LPS panels reduce energy use by automatically shutting off lights in response to a scheduled time event from its integral time scheduler or in response to an external control device, such as a keypad switch, occupancy sensor or photocell. These panels are ideal for use in smaller commercial applications, such as small strip retail, office spaces and parking lots where a centralized building management system is not practical. Its simple, menu-driven interface is designed for easy programming and intuitive use for electricians, contractors and end-users.

For Diagram see technical section page 51

Robust, individually replaceable, molded-case relays are industry-leading in reliability.

The time controller features a 365-day, 7-day repeating clock with full 24 hour scheduling functions and event priorities.

Relay controls that provide individual control of each relay, and feature easy to use push button membranes.



LPS panel

Technical Information

Catalog Number	Description
SERP8HSNC	Schneider Electric series relay panel 8 HID relays without controller
SERP16HSNC	Schneider Electric series relay panel 16 HID relays without controllers
SERP32HSNC	Schneider Electric series relay panel 32 HID relays without controllers
SERP48HSNC	Schneider Electric series relay panel 48 HID relays without controllers
SERP64HSNC	Schneider Electric series relay panel 64 HID relays without controllers
SERP4HS	Schneider Electric series relay panel 4 HID relays
SERP8HS	Schneider Electric series relay panel 8 HID relays
SERP16HS	Schneider Electric series relay panel 16 HID relays
SERP24HS	Schneider Electric series relay panel 24 HID relays
SERP32HS	Schneider Electric series relay panel 32 HID relays

Lighting Control Relay Switches

The Schneider Electric Lighting Control Relay Switches provide manual ON/OFF operation of lighting in zones. The switches are equipped with a switch based device using reversible polarity pulse technology. The switches are fully compatible with Lighting Control Relay Panels by Schneider Electric.

Manual ON/OFF is the most common override operation. Each switch provides ON/OFF action for individual relays or groups of relays (zones).



Key Switch (SERPKWS)



Push Button Switch (SERPWSxGyB*)



Rocker Switch (SERPRWS)



Push Button Switch (SERPPBWS)



Switch (SLSLVS1Rx)

Technical Information

Key Switch (SERPKWS)	
Input/Output	3 Amp, 24 Vdc, Reversible polarity Impulse
Relays per switch	8
Switches per Relay	6 Switches
Operation (Turn key)	Right/ON, Left/OFF
Push button Switch (SERPWSxGyB*)	
Input/Output	1.5 Amp, 24 Vdc, Reversible polarity Impulse Switch input from common terminal
Relays per switch	4
Switches per Relay	6 LED Switches
Operation (Turn key)	Press/ON, Press again/OFF
Rocker Switch (SERPRWS)	
Input/Output	3 Amp, 24 Vdc, Reversible polarity Impulse
Relays per switch	8
Switches per Relay	6 Switches
Operation	Press one side ON; press other side OFF

*x = the number of ganged switch locations. y = the number of button/switches.

Note: All switches: use 18-24 AWG solid or stranded wire for Class 2 wiring connections.

For Diagram see technical section page 52 and 53

Catalog Number	Switch type	Description
SERKWS	Key switch	Wall mounted momentary contact relay key switch
SERPRWS	Rocker switch	Wall mounted rocker-type relay switch
SERPPBWS	Push button switch**	Single all mounted, LED-indicating, push button relay switch.
SERPWSxGyB*	Push button switch***	Single or multi-gang, single or multi-device wall mounted push button relay switches with LEDs.
SERPWSMB	Mounting bracket	Used to mount single push button or rocker switches
SERPWSFP	Filler plate	Used to fill blank positions in a wall bracket
SERPWPxGyB*	Cover plate	Brushed metal; for use with push button and rocker-type switches only.

*x = the number of ganged switch locations. y = the number of button/switches.

**Requires mounting and cover plates. May require filler plates.

***Finished assembly; mounting bracket and cover plate included.

Catalog Number	Switch type	Description
SLSLVS1Rx	Decorator 1 button switch	1-button Schneider Electric relay panel switch with LED
SLSLVS2Rx	Decorator 2 button switch	2-button Schneider Electric relay panel switch with LED

'X' = Designates color: W: White, I: Ivory, G: Gray, L: Light Almond, B: Black

For Diagram see technical section page 52 and 53

Features

Key Switch (SERPKWS)

- Wall mountable to any standard wall box
- Key operated (ON – turn right; OFF – turn left)
- Operates up to 8 relays per switch
- 6 switches per relay

Push Button Switch (SERPWSxGyB*)

- Factory Assembled
- Includes mounting bracket, switch(es), cover plate
- LED ON/OFF indication
- Clear plastic labeling cap
- Operates up to 4 relays per switch
- 6 LED switches per relay

Rocker Switch (SERPRWS)

- Wall mountable to any standard wall box (1-gang requires mounting bracket (SERPWSMB))
- Operates up to 8 relays per switch
- 6 switches per relay
- Optional filler plate (SERPWSFP)

Push Button Switch (SERPPBWS)

- Wall mountable to any standard wall box (1-gang requires mounting bracket)
- LED ON/OFF indication
- Clear plastic labeling cap
- Operates up to 4 relays per switch
- 6 LED switches per relay
- Optional filler plate (SERPWSFP)

Decorator Switch (SLSLVS1RX)(SLSLVS2RX)

- Provide simple momentary push button control
- LED models provide pilot lights or status outputs
- Designed for use with Schneider Electric relay panels
- Switches fit standard NEMA wall boxes
- Decorator-style enclosure; wall plate included

*x = the number of ganged switch locations.

y = the number of button/switches.

***Finished assembly; mounting bracket and cover plate included.

LPB relay panels

LPB BACnet. Combines complete control with BACnet.

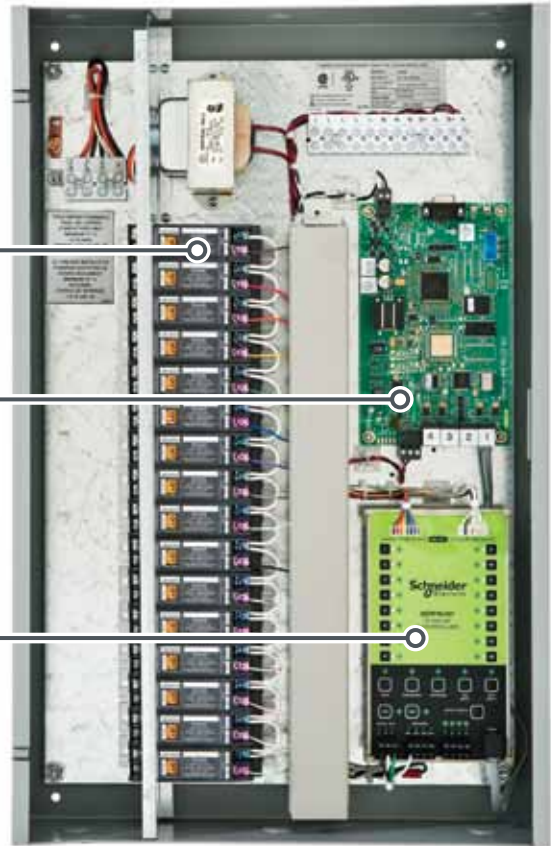
LPB relay panels are designed to operate on a BACnet network where control intelligence is provided through a BACnet building automation system. These panels are ideal for medium to large facilities with a building management system utilizing BACnet where a low-cost means to achieve automatic shut-off is required. These panels are simple to install and commission, and offer seamless integration with a full-feature scheduler through a building management system. Switch overrides and photocells are easily added for complete control.

For Diagram see technical section page 53 and 54

Robust, individually replaceable, molded-case relays are industry-leading in reliability.

The BACnet controller integrates seamlessly with open protocol native BACnet.

Relay controls that provide individual control of each relay, and feature easy to use push button membranes.



LPB panel

Technical Information

Catalog Number	Description
SERP8HSNC	Schneider Electric series relay panel 8 HID relays without controllers
SERP8HS	Schneider Electric series BACnet relay panel 8 HID relays
SERP16HS	Schneider Electric series BACnet relay panel 16 HID relays
SERP24HS	Schneider Electric series BACnet relay panel 24 HID relays
SERP32HS	Schneider Electric series BACnet relay panel 32 HID relays
SERP48HS	Schneider Electric series BACnet relay panel 48 HID relays
SERP64HS	Schneider Electric series BACnet relay panel 64 HID relays

LPL panels

LPL LonWorks. An integrated solution with native LonWorks protocol.

The LPL panels offer engineers and facilities managers all the flexibility they need to meet their requirements when dealing with lighting control inside their building, from a stand-alone system, to a soft-wired networked panels system or a fully-programmable network system.

LPL panel software scheduling and event programming capabilities will easily support all common sequences encountered in lighting control, and stackable, optional input/output cards program each input for your individual needs.

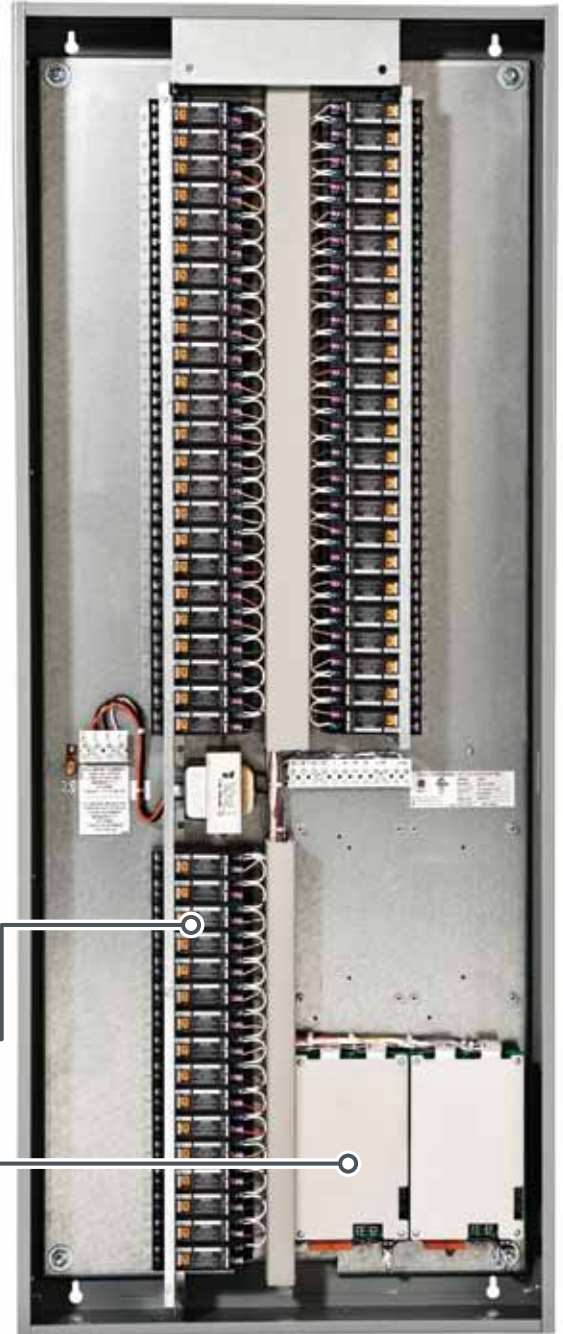
For Diagram see technical section page 55 and 56

Technical Information

Catalog Number	Description
SERPL8HS	Schneider Electric series LonWorks relay panel 8 HID relays
SERPL16HS	Schneider Electric series LonWorks relay panel 16 HID relays
SERPL24HS	Schneider Electric series LonWorks relay panel 24 HID relays
SERPL32HS	Schneider Electric series LonWorks relay panel 32 HID relays
SERPL48HS	Schneider Electric series LonWorks relay panel 48 HID relays
SERPL64HS	Schneider Electric series LonWorks relay panel 64 HID relays

Robust, individually replaceable, molded-case relays are industry leading in reliability.

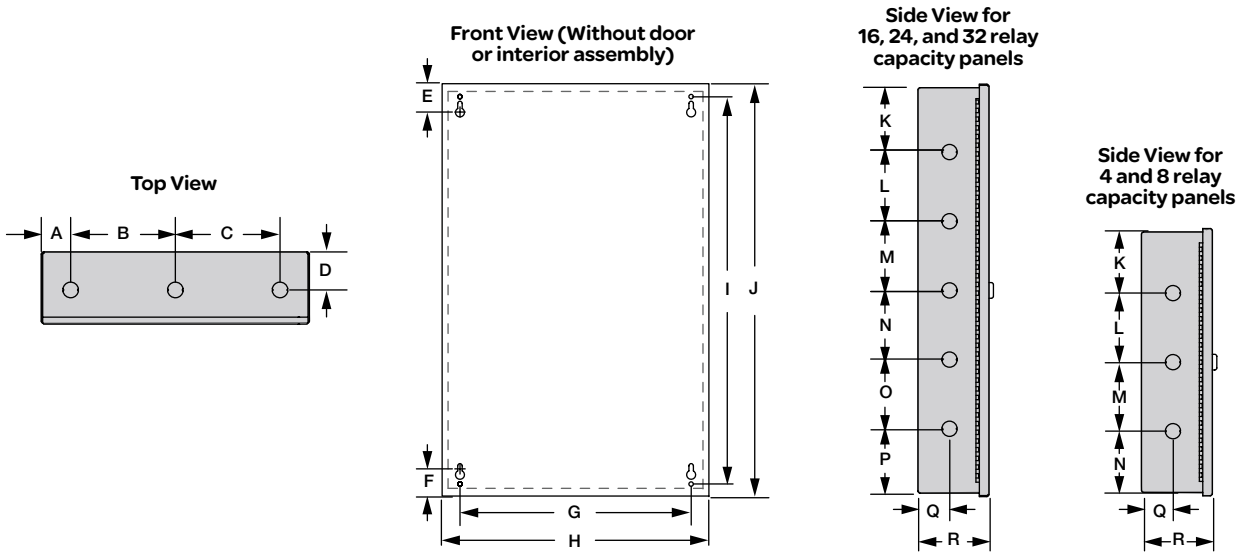
Stackable optional input/output controllers use LonWorks network communication to interoperate in highly functional, flexible and open building systems.



LPL panel

LPS Lighting Control Relay Panel

Mounted Enclosure Dimensions (Without Doors)

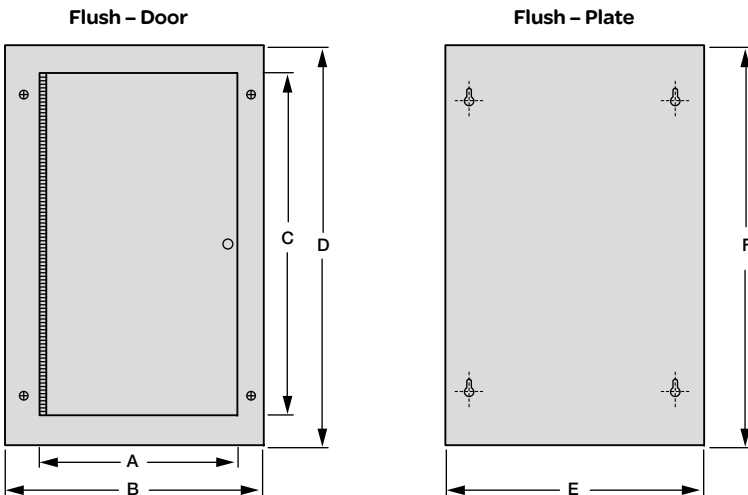


Relays		Measurements – mm (in.)																	
Relays	A	B	C	D	E	F	G	H	I	J	K	L	M	N	O	P	Q	R	
4 or 8*	42 (1.7)	149 (5.1)	149 (5.1)	46 (1.8)	N/A	N/A	330 (13)	381 (15)	345 (13.6)	381 (15)	90 (3.5)	101 (4)	101 (4)	90 (3.5)	N/A	N/A	46 (1.8)	101.6 (4)	
4 or 8**	42 (1.7)	149 (5.1)	149 (5.1)	46 (1.8)	N/A	N/A	279.4 (11)	305 (12)	228.6 (9)	305 (12)	90 (3.5)	101 (4)	101 (4)	90 (3.5)	N/A	N/A	46 (1.8)	101.6 (4)	
16	42 (1.7)	149 (5.1)	149 (5.1)	46 (1.8)	N/A	N/A	330 (13)	381 (15)	556 (21.9)	592 (23.3)	94 (3.7)	101 (4)	101 (4)	101 (4)	101 (4)	94 (3.7)	46 (1.8)	101.6 (4)	
24 or 32	60 (2.4)	194 (7.6)	194 (7.6)	60 (2.4)	27.87 (1.10)	27.05 (1.08)	406.8 (16)	508 (20)	N/A	850 (33.5)	55 (2.2)	190 (7.5)	N/A	N/A	190 (7.5)	55 (2.2)	55 (2.2)	101.6 (4)	

* SERPB

** SERP4HS or SERP8HS

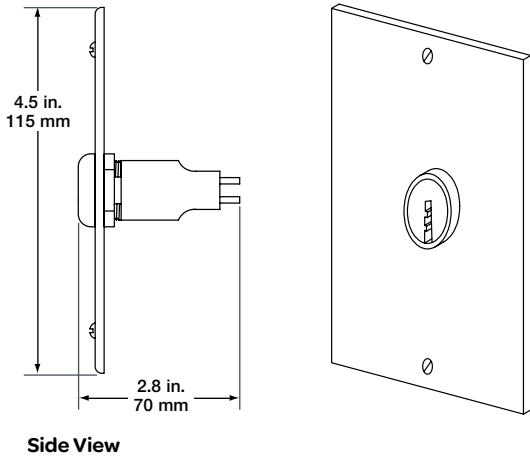
Flush-Mounted Door Dimensions



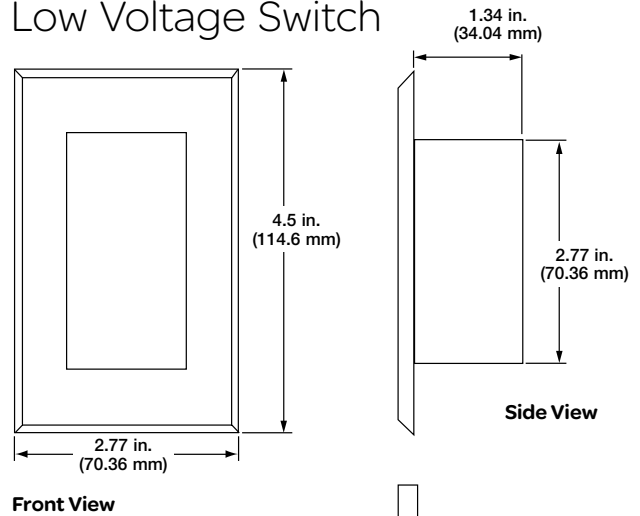
Relays		Measurements – mm (in.)					
Relays	A	B	C	D	E	F	
16	349 (13.7)	493 (19.4)	582 (22.9)	704 (27.7)	493 (19.4)	704 (27.7)	
24 or 32	478 (18.8)	620 (24.4)	838 (33)	962 (37.9)	620 (24.4)	962 (37.9)	

Lighting Control Relay Switches

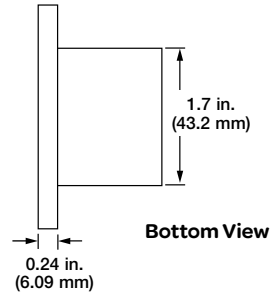
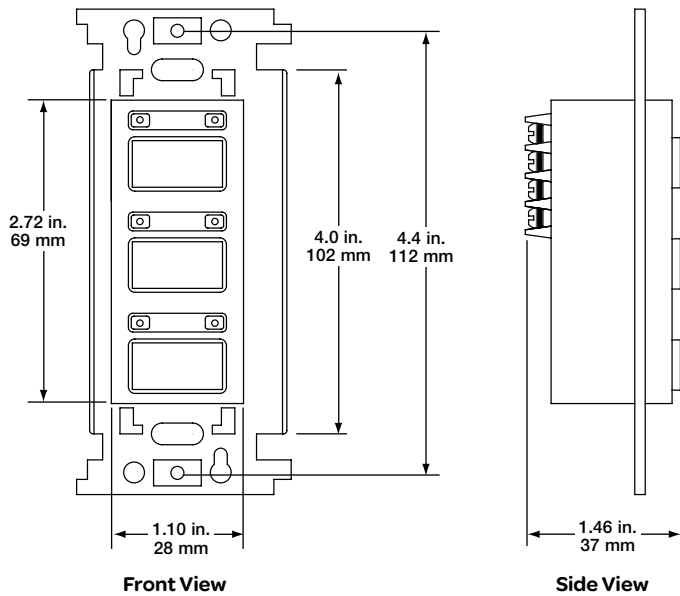
Key Switch



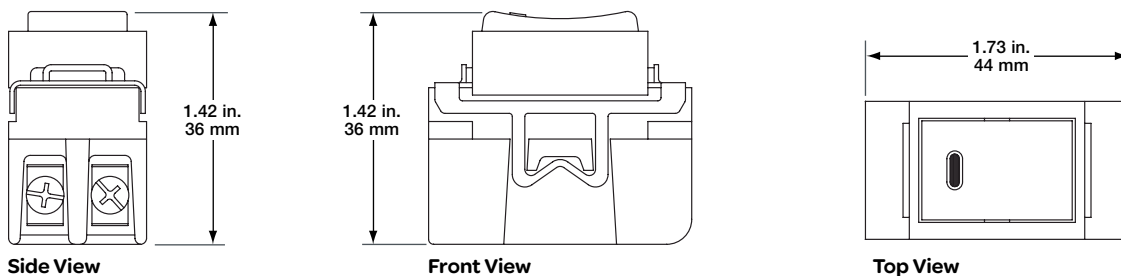
Low Voltage Switch



Push button

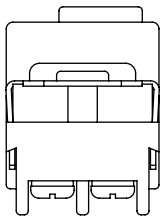


Rocker Switch

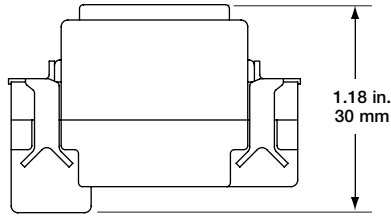


Lighting Control Relay Switches (cont.)

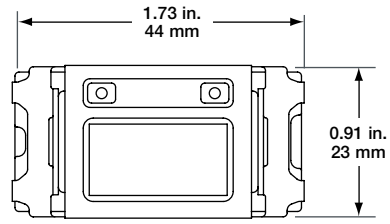
Pushbutton (Individual)



Side View



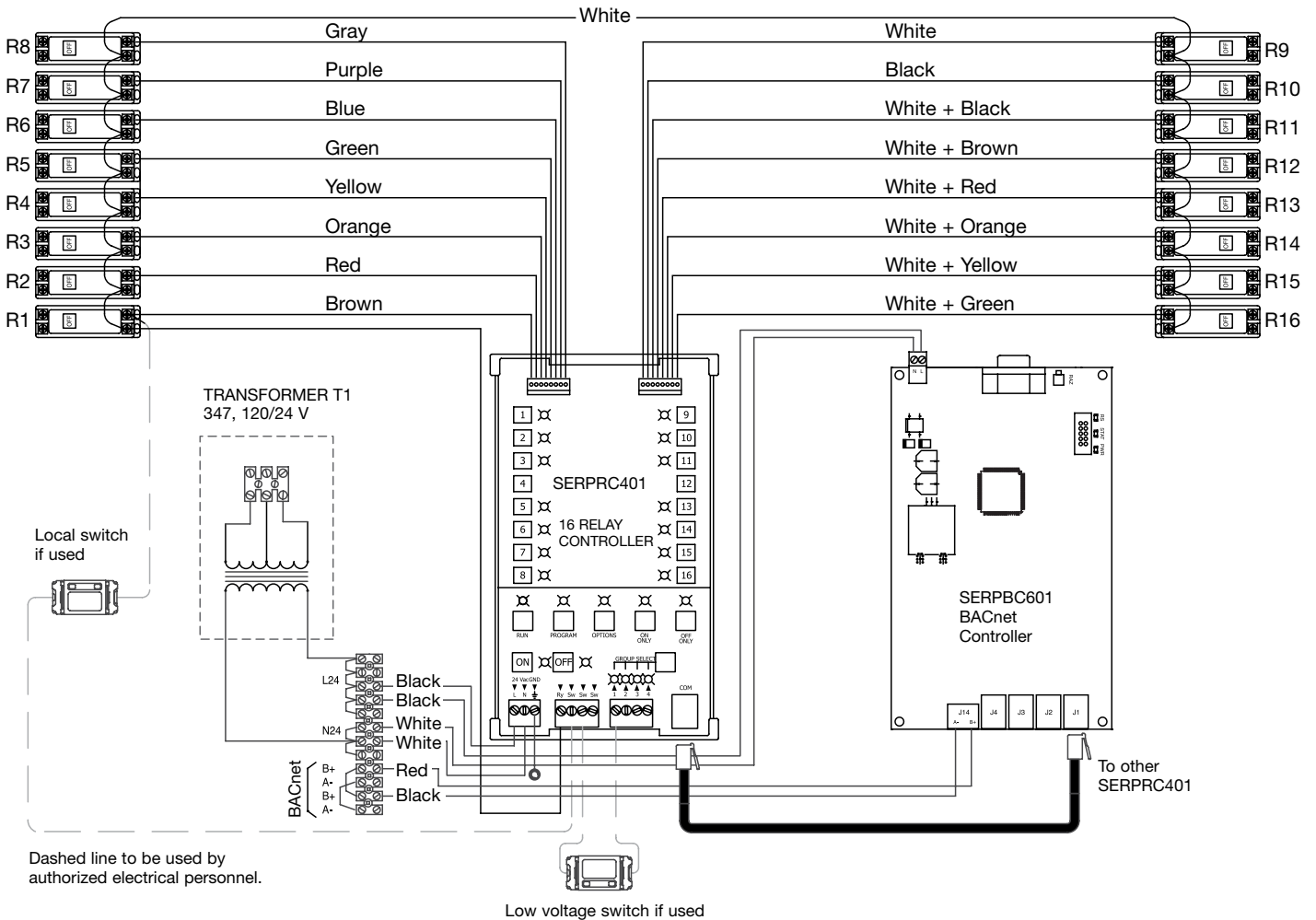
Front View



Top View

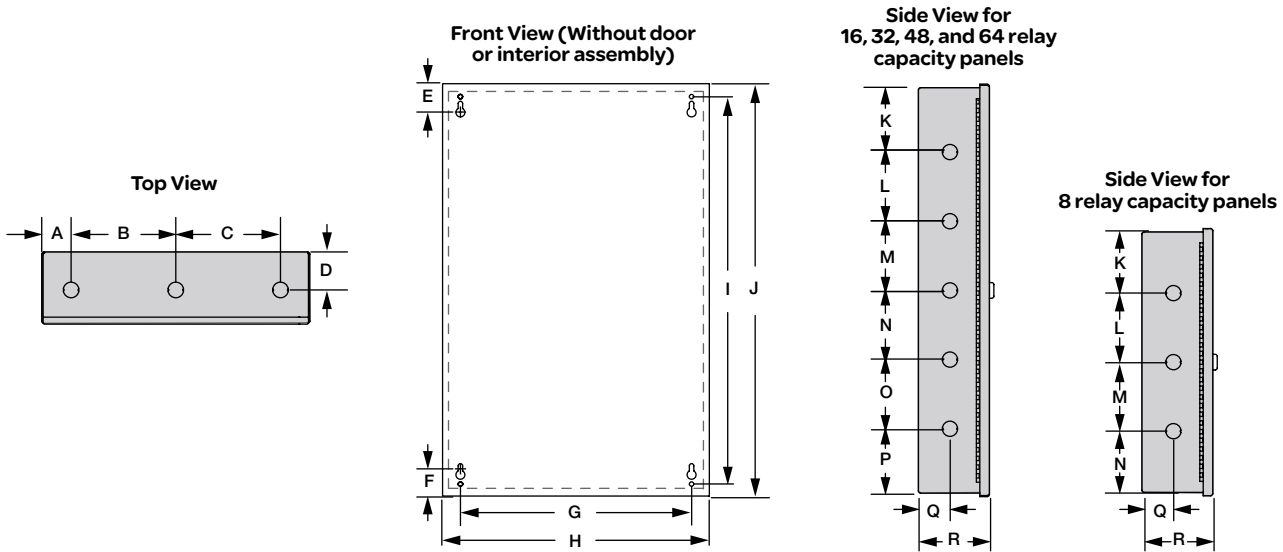
LPB Lighting Control Relay Panel

Wiring



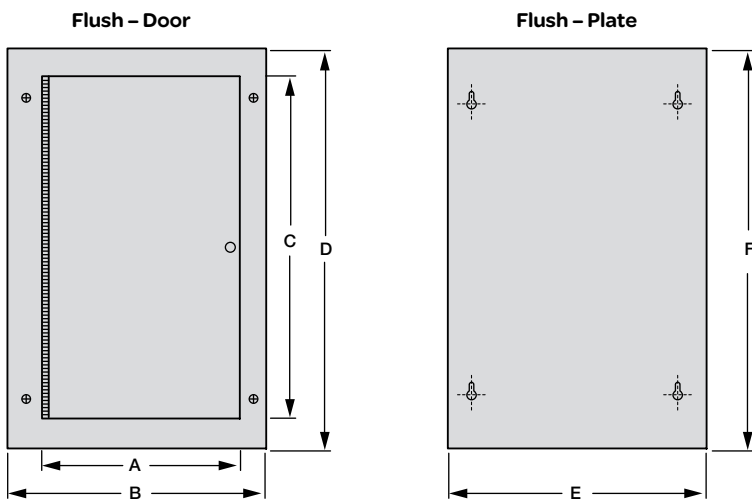
LPB Lighting Control Relay Panel (cont.)

Mounted Enclosure Dimensions (Without Doors)



Measurements – mm (in.)		A	B	C	D	E	F	G	H	I	J	K	L	M	N	O	P	Q	R
8		42 (1.7)	149 (5.1)	149 (5.1)	46 (1.8)	N/A	N/A	330 (13)	381 (15)	345 (13.6)	381 (15)	90 (3.5)	101 (4)	101 (4)	90 (3.5)	N/A	N/A	46 (1.8)	101.6 (4)
16		42 (1.7)	149 (5.1)	149 (5.1)	46 (1.8)	N/A	N/A	330 (13)	381 (15)	556 (21.9)	592 (23.3)	94 (3.7)	101 (4)	101 (4)	101 (4)	101 (4)	94 (3.7)	46 (1.8)	101.6 (4)
32		60 (2.4)	194 (7.6)	194 (7.6)	60 (2.4)	27.87 (1.10)	27.05 (1.08)	406.8 (16)	508 (20)	N/A	850 (33.5)	55 (2.2)	190 (7.5)	N/A	N/A	190 (7.5)	55 (2.2)	55 (2.2)	101.6 (4)
48 or 64		60 (2.4)	194 (7.6)	194 (7.6)	60 (2.4)	27.87 (1.10)	27.05 (1.08)	406.8 (16)	508 (20)	N/A	1250 (49.2)	55 (2.2)	380 (15)	N/A	N/A	380 (15)	55 (2.2)	55 (2.2)	101.6 (4)

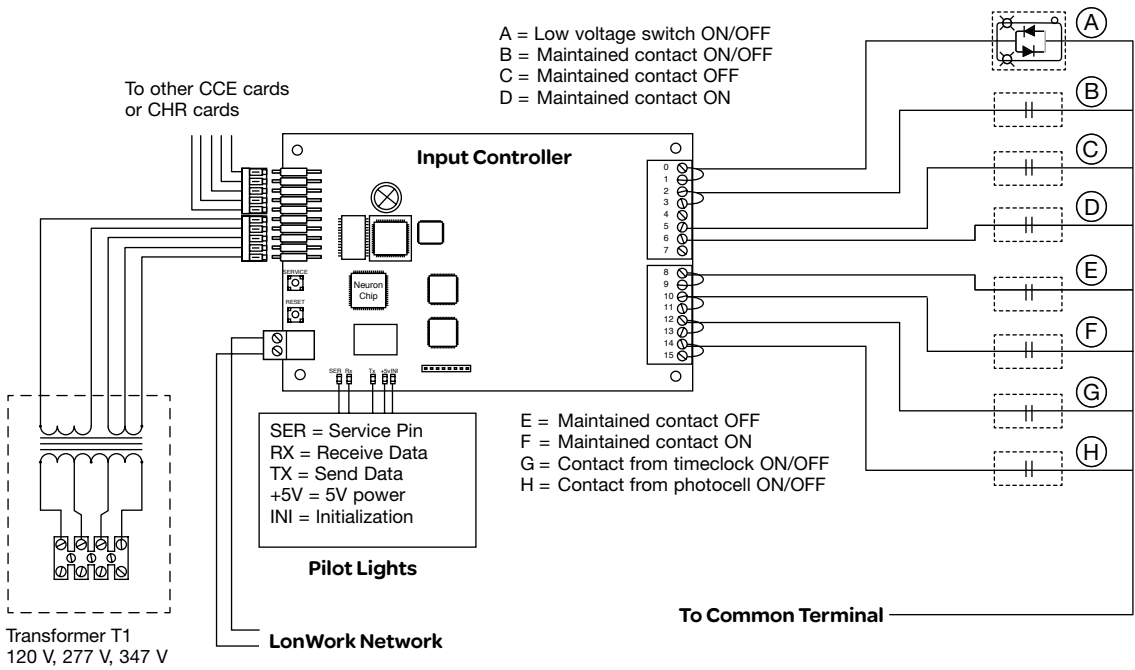
Flush-Mounted Door Dimensions



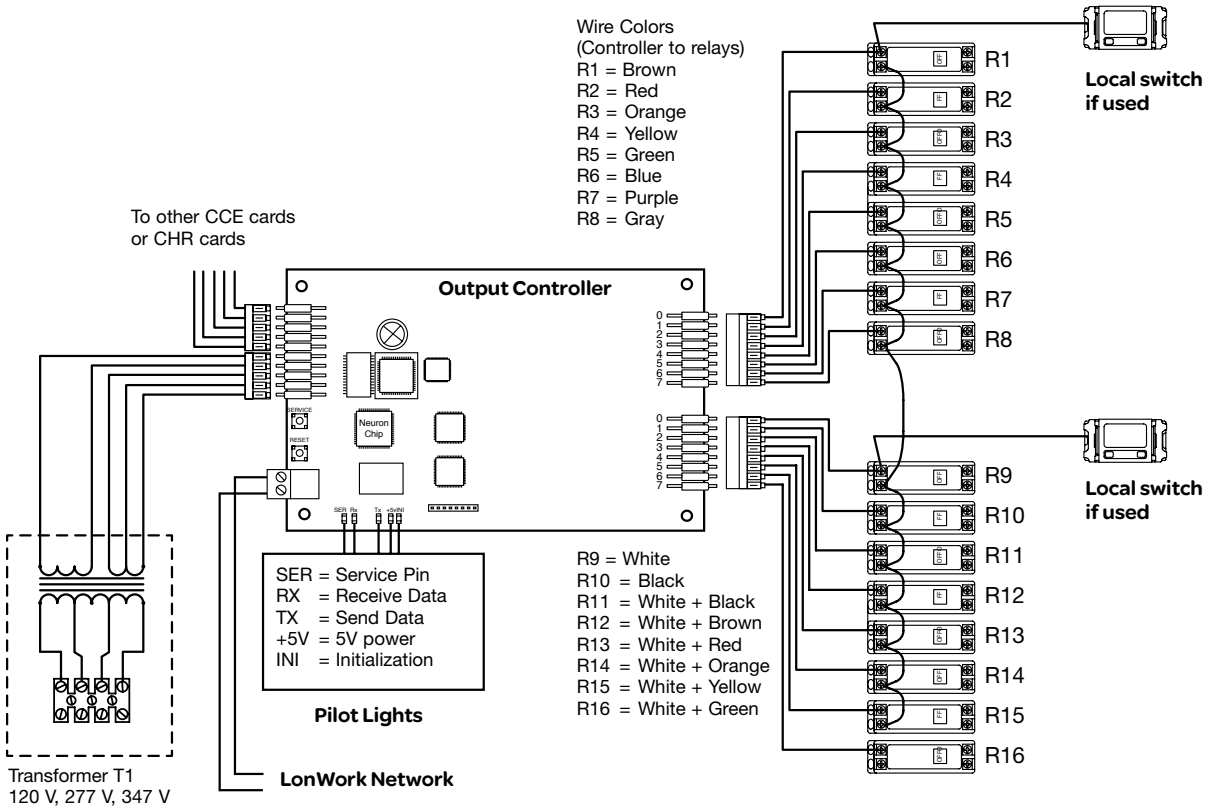
Measurements – mm (in.)		A	B	C	D	E	F
8		349 (13.7)	493 (19.4)	371 (14.6)	493 (19.4)	493 (19.4)	493 (19.4)
16		349 (13.7)	493 (19.4)	582 (22.9)	704 (27.7)	493 (19.4)	704 (27.7)
32		478 (18.8)	620 (24.4)	838 (33)	962 (37.9)	620 (24.4)	962 (37.9)
48 or 64		478 (18.8)	620 (24.4)	1238 (48.7)	1362 (53.6)	620 (24.4)	1362 (53.6)

LPL Lighting Control Relay Panel

Input Wiring (Optional)

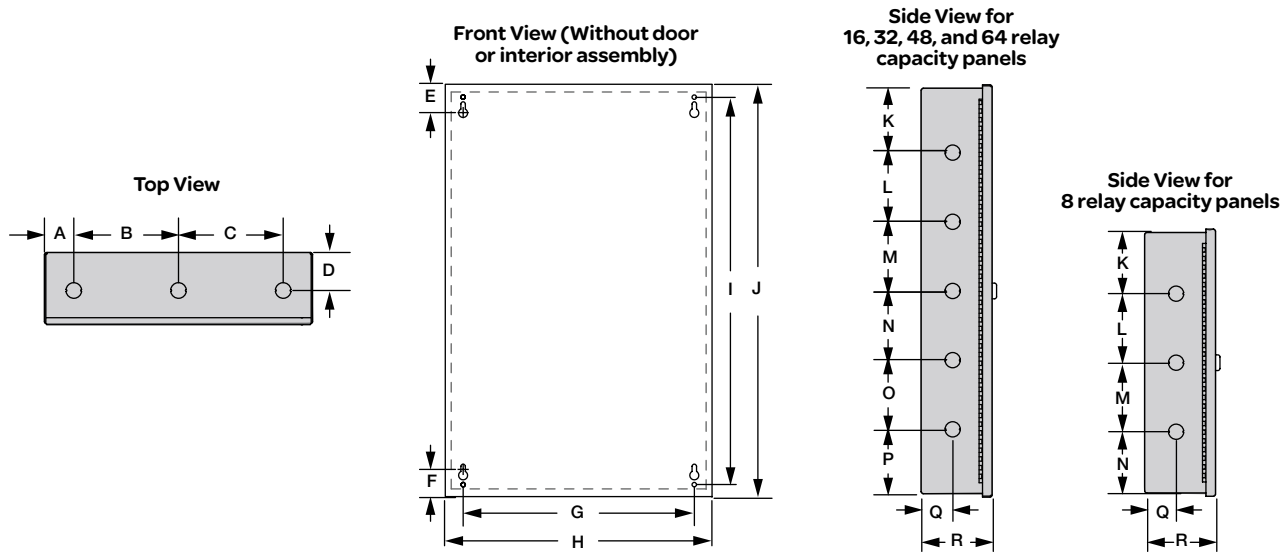


Output Wiring



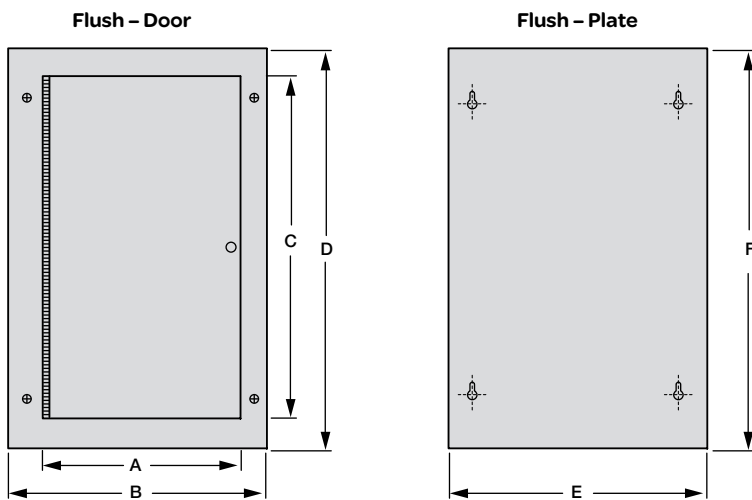
LPL Lighting Control Relay Panel (cont.)

Wall- and Surface-Mounted Enclosure Dimensions (Without Doors)



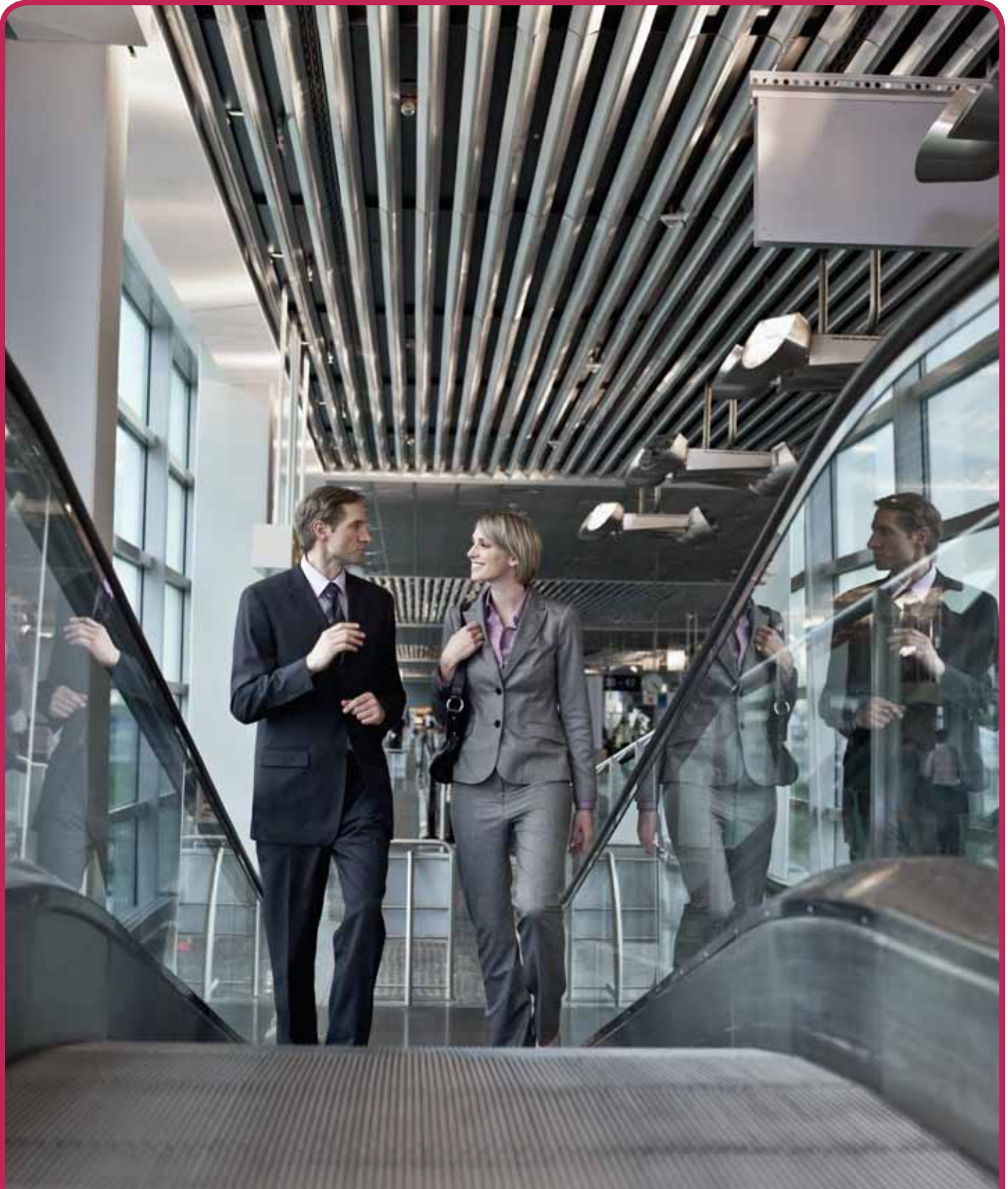
Measurements – mm (in.)																		
Relays	A	B	C	D	E	F	G	H	I	J	K	L	M	N	O	P	Q	R
8	42 (1.7)	149 (5.1)	149 (5.1)	46 (1.8)	N/A	N/A	330 (13)	381 (15)	345 (13.6)	381 (15)	90 (3.5)	101 (4)	101 (4)	90 (3.5)	N/A	N/A	46 (1.8)	101.6 (4)
16	42 (1.7)	149 (5.1)	149 (5.1)	46 (1.8)	N/A	N/A	330 (13)	381 (15)	556 (21.9)	592 (23.3)	94 (3.7)	101 (4)	101 (4)	101 (4)	101 (4)	94 (3.7)	46 (1.8)	101.6 (4)
32	60 (2.4)	194 (7.6)	194 (7.6)	60 (2.4)	27.87 (1.10)	27.05 (1.08)	406.8 (16)	508 (20)	N/A	850 (33.5)	55 (2.2)	190 (7.5)	N/A	N/A	190 (7.5)	55 (2.2)	55 (2.2)	101.6 (4)
48 or 64	60 (2.4)	194 (7.6)	194 (7.6)	60 (2.4)	27.87 (1.10)	27.05 (1.08)	406.8 (16)	508 (20)	N/A	1250 (49.2)	55 (2.2)	380 (15)	N/A	N/A	380 (15)	55 (2.2)	55 (2.2)	101.6 (4)

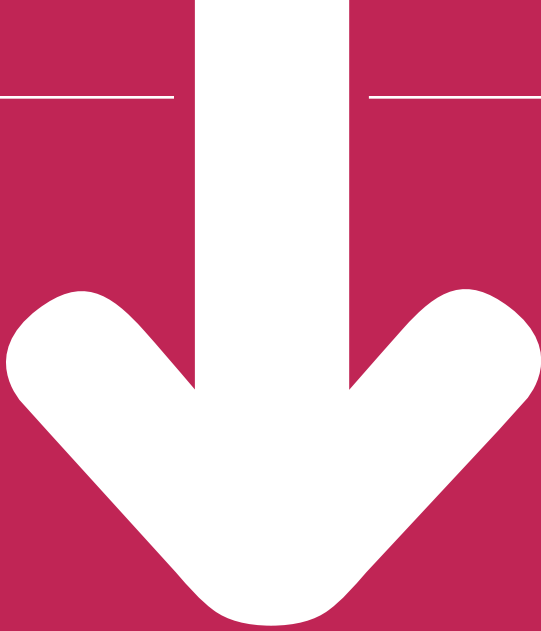
Surface-Mounted Door Dimensions



Measurements – mm (in.)						
Relays	A	B	C	D	E	F
8	349 (13.7)	493 (19.4)	371 (14.6)	493 (19.4)	493 (19.4)	493 (19.4)
16	349 (13.7)	493 (19.4)	582 (22.9)	704 (27.7)	493 (19.4)	704 (27.7)
32	478 (18.8)	620 (24.4)	838 (33)	962 (37.9)	620 (24.4)	962 (37.9)
48 or 64	478 (18.8)	620 (24.4)	1238 (48.7)	1362 (53.6)	620 (24.4)	1362 (53.6)

Architectural Dimming





Architectural Dimming

Architectural dimming provides an opportunity to transform a space, manage moods, conserve energy, and improve the quality of life.

To make the building environment as responsive, productive and attractive as possible, Schneider Electric offers a wide range

of architectural dimming solutions. From convention centers to libraries or restaurants to ballrooms our dimming systems are capable of providing the most demanding precise control tailored for the application.

inTouch control stations

for Use with Architectural Dimming Systems by Schneider Electric™

The inTouch Control Stations by Schneider Electric offer a powerful and elegant interface to the Architectural Dimming Systems by Schneider Electric. The inTouch family of products offers an extensive line of user interfaces including 6 and 12 channel master stations as well as a wide variety of entry stations.

The inTouch stations use capacitive touch technology providing touch sensitivity and immediate response. These stations provide a durable user interface with no mechanical parts making them perfect for restaurants, conference rooms, convention centers, and auditoriums.

In conjunction with the Wall-Mounted Architectural Dimming Panels, the inTouch master stations provide control of two areas with up to 18 presets per area. In conjunction with the Architectural Dimming Racks, the stations provide recall of 24 presets and 16 areas as well as other functionality including; macros, room partition control, alternate actions, on/off pairs.



inTouch Control Stations

Benefits

- Aesthetic design/state of the art interface
- Durable design for rugged environments
- Ease of programming

Technical Information

Master Stations	Programmable presets with individual channel control.	
Mechanical	Frame	Rugged ABS frame with a Lexan overlay covering the control section.
	Mounting	Mounts in a standard multi-gang masonry style backbox (furnished by others) with no visible fasteners.
Display	A graphic level backlit LCD displaying the active preset name, fade time, area name, channel page number (ADSM612 only), preset (scroll) names, and menu functions.	
Controls	Capacitive touch sensing buttons and channel controllers with no moving parts.*	
Master Station Backlit Control Buttons	Full, Off, Scroll, Select, Store, Menu	
IR Control	Integral infrared receiver for wireless preset selection using a CWC handheld transmitter.	
Network Wiring	Stations require two shielded pair (Belden #9729) plus 3 #14AWG wires.	

*Stations with mechanical buttons or potentiometers are not considered equal.

Product Features

- Capacitive touch technology
- Commercial grade construction with no mechanical buttons or potentiometers
- 6 or 12 channel sliders with LED level indicators (Master Stations)
- Graphic level LCD display
- Multiple channel pages (ADSM612 with Dimmer Rack)
- Handheld Infrared remote control — (optional)

Ordering information: Contact your local Schneider Electric sales representative for more information.

For Diagram see technical section page 63

Wall-Mounted Dimming Systems

Architectural Dimming Panels

The Wall-Mounted Architectural Dimming Panel by Schneider Electric provides a simple and easy to install dimming system for environments looking to enhance the architectural design, set mood lighting, set focal points in the space, and save energy.

These dimming panels are compact in their design. They incorporate 6, 9, and 12 circuit configurations. The panels are available in 120 VAC and 277 VAC options. The dimming modules are available in 2400 watts universal, 3-wire, fluorescent, and non-dim lighting loads.

These panels support multiple digital control inputs including the inTouch Control Stations by Schneider Electric and DMX512 based controllers. Several life safety features are also included in the design of the dimming panels including fire alarm bypass and phase loss control.

Benefits

- Simple, Cost Competitive Design for most dimming applications
- Easy to Install and Program
- Flexibility of control from multiple systems

Technical Information

Dimming Panel Specifications

Enclosure	Modular, welded steel cabinet with a textured black powder coat finish and a removable front panel. Wall mounted design for surface or recessed mounting.
Dimensions	17 in. (W) x 39 in. (H) x 4 in. (D), 43.2 cm (W) x 99.1 cm (H) x 10.2 cm (D)
Main and Neutral Lugs	Rated to 100 amps per phase for 120/208 V, 60 Hz, 3 phase, 4 wire input. Main lugs suitable for up to #1/0 Ga wire. (Optional 277 V lugs available as required).
Operating Temperatures	104° F ambient (40° C) Thermostatically controlled fans
Load wire terminals	#8 AWG max.

Standard Universal Dimmer Specifications

Dimmer Rating	2400 watts continuous duty (1200 watts when used with electronic low-voltage transformers).
Overload Protection	20 amp, fully magnetic, switch duty rated circuit breakers per dimmer that is UL listed under UL489 as a branch circuit protector with a minimum 10,000 AIC rating.
Filtering	Toroidal choke to limit the current rise time to a minimum of 350 micro-seconds as measured from 10% to 90% of the output waveform at maximum level.
Load Control Compatibility	Universal dimmer to control incandescent, low-voltage (electronic or magnetic), neon/cold-cathode, quartz, 2-wire phase control dimmable fluorescent ballasts, and non-dimmed (switched) loads. (Optional) Provide dimmers to control 0-10v and 3-wire dimmable fluorescent ballasts as scheduled.
Dimmer Performance	
Temperature Range	0° to 104° F ambient (0° to 40° C)
Line Voltage Range	90 to 140 volts
Dimming Curve	Square law
Voltage Regulation	Within 3.5 volts of the input voltage
Efficiency	Exceeds 95%
Output	Symmetrical alternating current (eliminates any DC component to the load)
Certifications	UL and cUL Listed



Wall-Mounted Architectural Dimming Panels

Product Features

- Magnetic Circuit Breaker for Over Current Protection
- 6, 9, & 12 Circuit Configurations
- 2400 watts of Universal Dimming
- Support Incandescent, Quartz, Neon/Cold Cathode, Low Voltage, Fluorescent, and Non-Dim Loads
- Fire Alarm Bypass
- Phase Loss Control
- Supports inTouch Control Stations by Schneider Electric and DMX512 digital controls
- Programmable Dimmer to Channel Patch

Ordering information: Contact your local Schneider Electric sales representative for more information.

Rack-Mounted Dimming Systems

The Rack-Mounted Architectural Dimming Panels by Schneider Electric are ideal for small to large projects including professional and educational theaters, television studios, hotels, churches, and convention centers. The universal dimmers include dual 2.4 kW and single 6 kW modules (120 V) or 5.4 kW (277 V) with the standard rise times are 350 uS with 500 uS and 800 uS options. Other modules include non-dim, constant circuits, and dimmable fluorescent ballast control, and 3-Wire ballast.

The Rack-Mounted Dimming Panels are compatible with the inTouch Control Stations by Schneider Electric and provide a seamless interface between a theater's stage and house light controls. For architectural applications, the basic rack mounted system provides 24 presets in each of 16 independent areas with 128 system control channels while the advanced option expands the system to 512 channels over 64 areas. An Ethernet option provides the connection for remote system monitoring, programming, and subsystem networking. All Ethernet based control and monitoring can be provided using a compatible console or PC.

Architectural applications can be designed as smaller subsystems and networked for single point control, ideal for convention center and large hotel projects.



Rack-Mounted Architectural Dimming Panels

Benefits

- Simple, Cost Competitive Design for most dimming applications
- Easy to Install and Program
- Flexibility of control from multiple systems

Technical Information

Dimmer Cabinet Specifications

Enclosure		Modular, freestanding cabinet with a welded steel frame and locking door over the dimmers.		
Dimensions		<ul style="list-style-type: none"> • ADSR30 16.5 in. (W) x 43.6 in (H) x 11.6 in. (D) • ADSR60/ADSR120 19.2 in. (W) x 80.2 in (H) x 20.5 in. (D) 		
Main and Neutral Lugs		120/208 V, 60 Hz, 3-Phase, 4-Wire operation 277/480 V, 60 Hz, 3-Phase, 4-Wire operation		
Operating Temperatures		104° F ambient (40° C) Thermostatically controlled fans		
Dimmer Mounting		Removable Steel trays w/ dimmer alignment guides		
Load Wire Lugs		up to #6 AWG (Optional #2 AWG)		
Certifications		UL and cUL Listed		
Weight	Empty	96 lbs. (43.5 kg)	275 lbs. (124.7 kg)	310 lbs. (140.6 kg)
	Full	176 lbs. (79.8 kg)	446 lbs. (202.3 kg)	655 lbs. (301.6 kg)

Product Features

- 30, 60, or 120 dimming circuits per rack
- Dual 2.4 KW or single 6 KW dimmers per module for 120 V applications. Dual 5.4 KW dimmers per module for 277 V applications
- 350 uS rise time is standard. 500 uS and 800 uS rise times are optional
- Fully magnetic dimmer circuit breakers
- Dimmer feedback and status reporting option
- Advanced configuration programming
- 99 backup cues
- Opto-isolated dual DMX connections
- Ethernet-based networking option
- Off-line programming

Technical Information (cont.)

Standard Universal Dimming Module Specifications

Dimmer Rating	120/208 V: 2.4 kW* dual or 6.0 kW single module 2400 watts continuous duty or 277/480 V: 5.4 kW
Overload Protection	20 amp, fully magnetic, switch duty-rated circuit breakers/dimmer – UL listed under UL489 as a branch circuit protector w/ a min. 10k AIC rating.
Filtering	Toroidal choke limiting the current rise time to a min. of 350 uS as measured from 10% to 90% of the output waveform at max. level.
Load Control Compatibility	Universal dimmer controlling incandescent, low-voltage (electronic or magnetic), neon/cold-cathode, quartz, 2-wire phase control dimmable fluorescent ballasts, & non-dimmed (switched) loads. (Optional) Provide dimmers to control 0-10v and 3-wire dimmable fluorescent ballasts as scheduled.
Dimmer Performance	
Temperature Range	0° to 104° F ambient (0° to 40° C)
Line voltage Range	90 to 140 volts
Dimming Curve	Square law
Voltage Regulation	Within 3.5 volts of the input voltage
Efficiency	Exceeds 95%
Output	Symmetrical alternating current (eliminates any DC component to the load)

*1200 watts when used w/ electronic low-voltage transformers

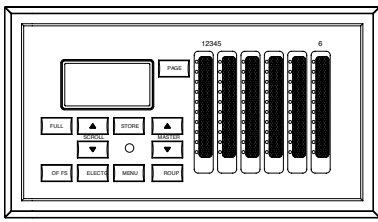
Ordering information

Catalog Number	Description
120/208 V Rack Standard Dimming Modules	
ADSRD22	Dual 2.4 kW dimmer module with 350 uS chokes
ADSRD22S	Dual 2.4 kW dimmer module with 350 uS chokes, sensing
ADSRD22HR	Dual 2.4 kW dimmer module with 500 uS chokes
ADSRD22HRS	Dual 2.4 kW dimmer module with 500 uS chokes, sensing
ADSRD22EHR	Single 2.4 kW dimmer module with 800 uS chokes
ADSRD22EHRS	Single 2.4 kW dimmer module with 800 uS chokes, sensing
ADSRD16	Single 6.0 kW dimmer module with 350 uS chokes (no output circuit breaker)
ADSRD22CB	Dual 20 A constant circuit breaker module
ADSRD12FPC	Single 2.4 kW fluorescent dimmer module for phase control dimmable fluorescent ballasts (2 or 3 wire)
ADSRD12FDC	Dual 2.4 kW fluorescent dimmer module for dimmable fluorescent ballasts (0 – 10 VDC control)
ADSRD22ND	Dual 20 A non-dim module
ADSRDFM	Filler module
120/208V Rack Dual Width Dimming Modules	
ADSRD16HR	Single 6.0 kW dimmer module w/ 500 uS chokes & 4 – 20 A branch circuit breakers
ADSRD16HRS	Single 6.0 kW dimmer module w/ 500 uS chokes w/ sensing & 4 – 20 A branch circuit breakers
277/480V Rack Standard Dimming Modules	
ADSR2H22	Dual 5.4 kW dimmer module w/ 350uS chokes
ADSR2H22FL	Single 5.4 kW fluorescent dimmer module for phase control dimmable fluorescent ballasts (2 or 3 wire)
ADSR2H22FDC	Dual 5.4 kW fluorescent dimmer module for dimmable fluorescent ballasts (0 – 10 VDC control)
ADSR2H22ND	Dual 20 A non-dim module
ADSR2H22CB	Dual 20 A constant circuit breaker module

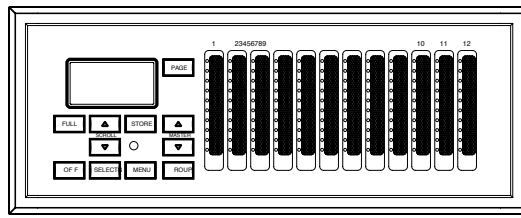
Contact your local Schneider Electric sales representative for more information.

inTouch control stations

Master Stations

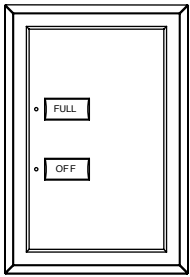


6-Channel Master Station (ADSM606)

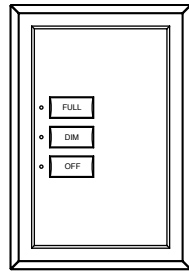


12-Channel Master Station (ADSM612)

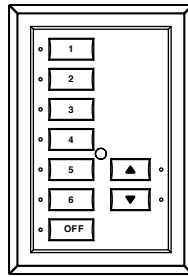
Remote Entry Stations



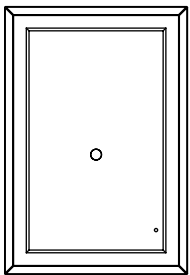
2-Button Remote Entry Station (ADSE602)



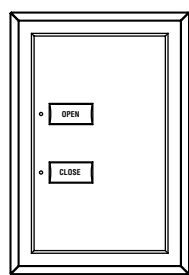
3-Button Remote Entry Station (ADSE603)



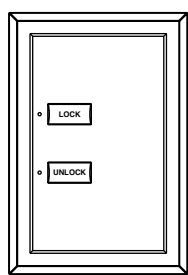
6-Button Remote Entry Station (ADSE606RL)



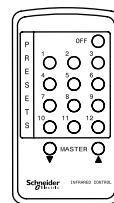
Infrared Remote Entry Station (ASEIR)



Combine Closure Entry Station (ADSECC)



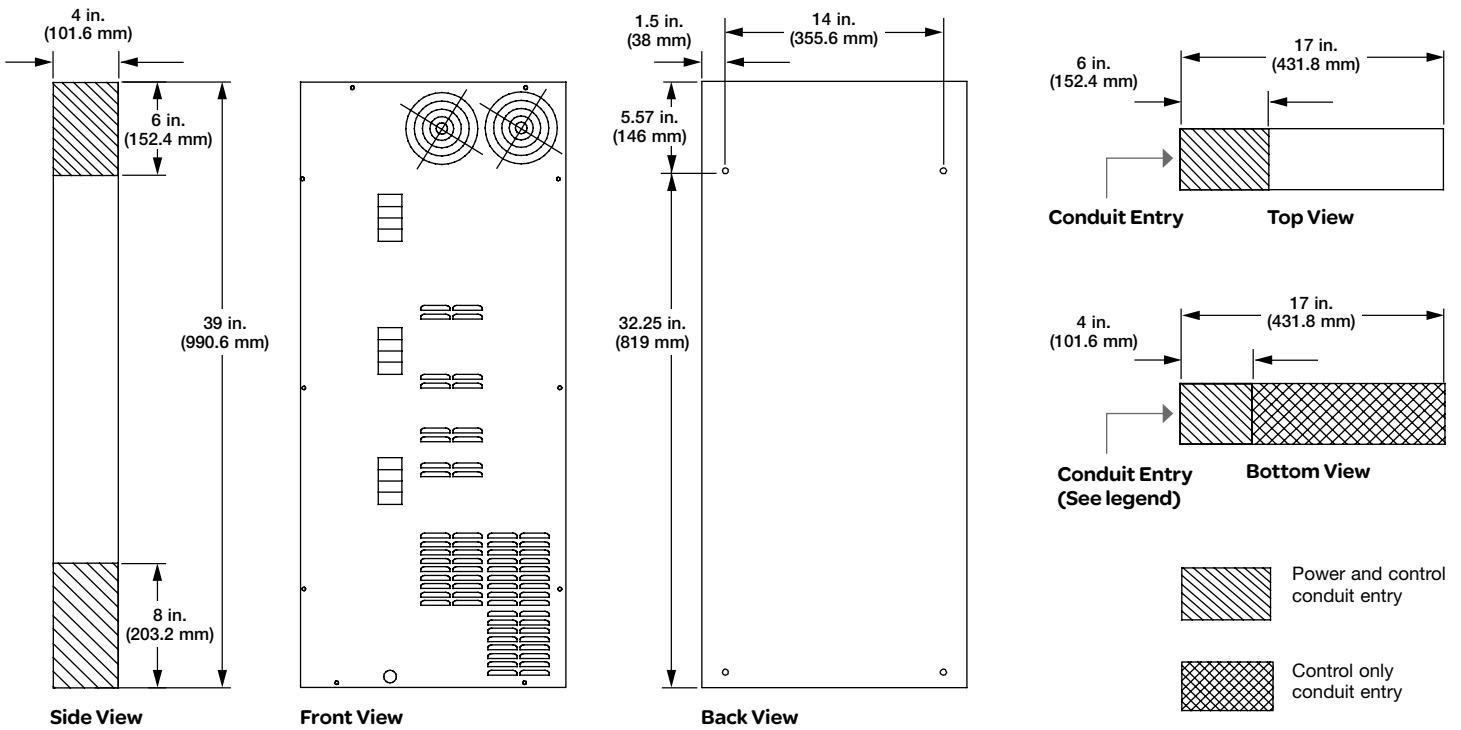
Touch Lock/Unlock Entry Stations (ADSEL/UL)



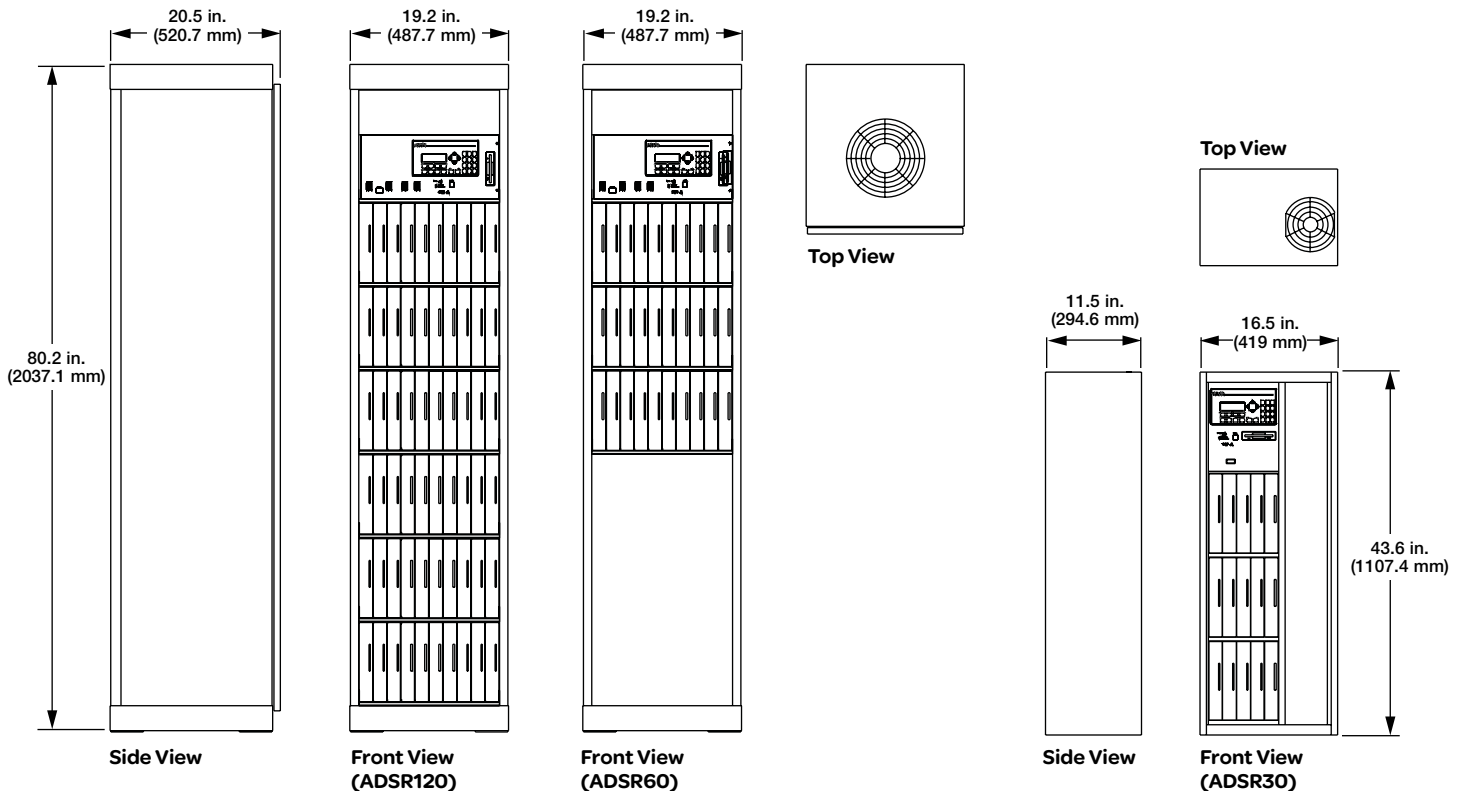
Infrared Remote Control (Optional) (ADSPWC)

Wall-Mounted Dimming Systems

Dimming Panel Dimensions and Conduit Stub Locations



Rack-Mounted Dimming Systems



Measurement & Verification Panels (MVP)





Measurement & Verification Panels (MVP)

Understanding the cost of lighting — how much, when and where is essential to gaining a grasp on your sustainability measures. The MVP Panelboards measure energy use all the way to the individual circuit level, allowing you to isolate and manage energy use more precisely for greater energy efficiency and savings. Having the ability to independently control and monitor individual branch circuit loads opens a wide range of options to better understand the dynamics of a building's performance and make informed decisions on sustainability solutions.

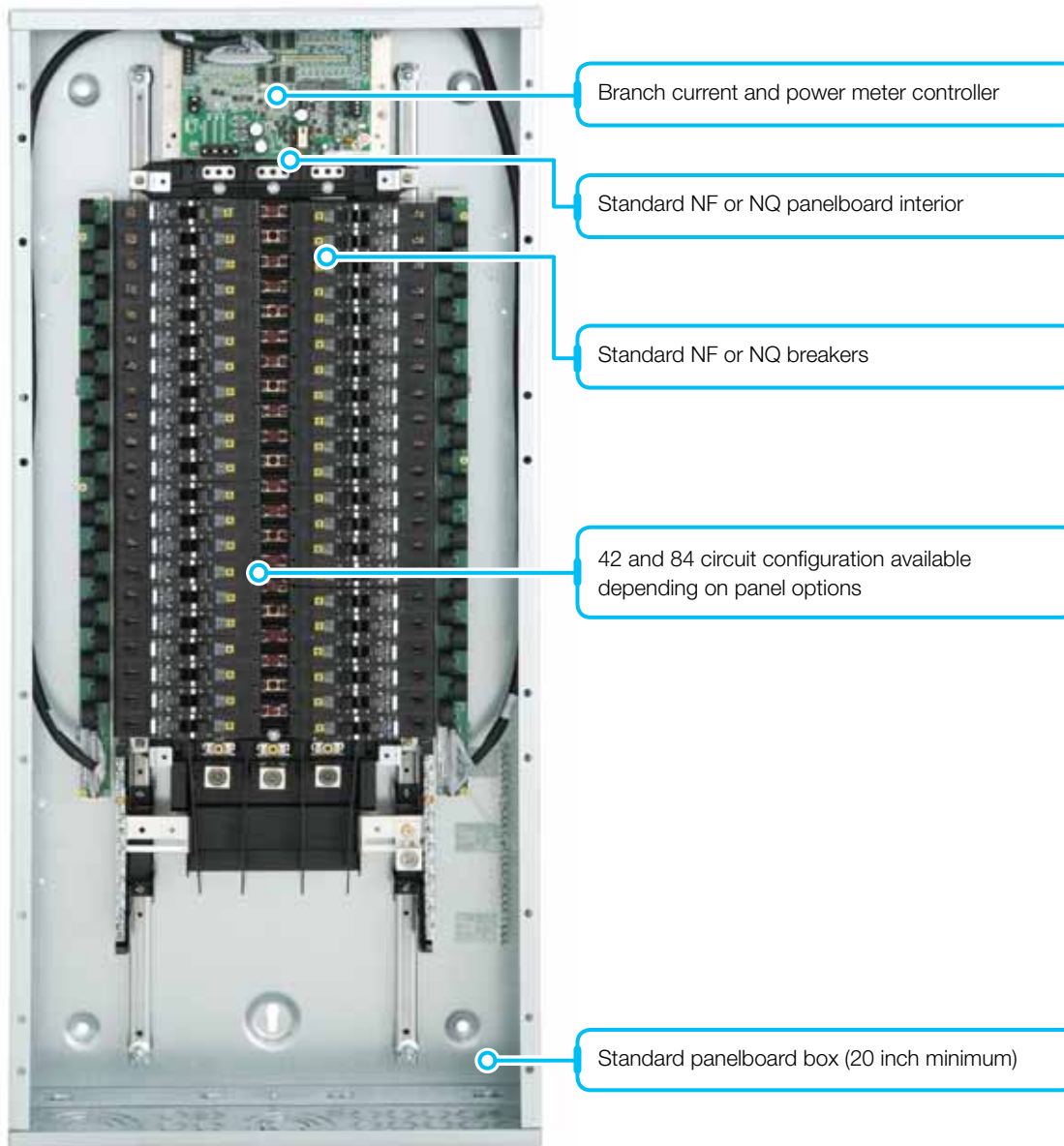
Until now, energy use has been monitored at the panel level preventing facility managers from pin-pointing energy waste. Improving efficiency and reducing energy use costs required a certain amount of guesswork. With MVP, building managers are now able to identify true “energy wasting culprits” and make adjustments accordingly. MVP will reveal if energy waste is due to electronics in a specific building zone or floor that are left on during unoccupied times, or if lighting load adjustments should be made. The precise power load and energy use data MVP provides, coupled with its lighting controls, allows energy managers to save money while working towards meeting their sustainability goals.

Measurement and Verification Panelboards (MVP)

NF and NQ Panelboards

NF and NQ Measurement and Verification Lighting Panelboards are a critical component to any building's sustainability solutions. In addition to the standard branch over current protection, NF panelboards also incorporate individual branch circuit power metering. Crucial to energy management, this feature allows you to monitor the energy performance of electrical systems at the branch circuit level for improved building-wide energy efficiency. This capability also allows you to verify that sustainable energy conservation measures are performing their intended functions, and provides data for establishing baseline performance studies.

For Diagram see technical section page 69



Features

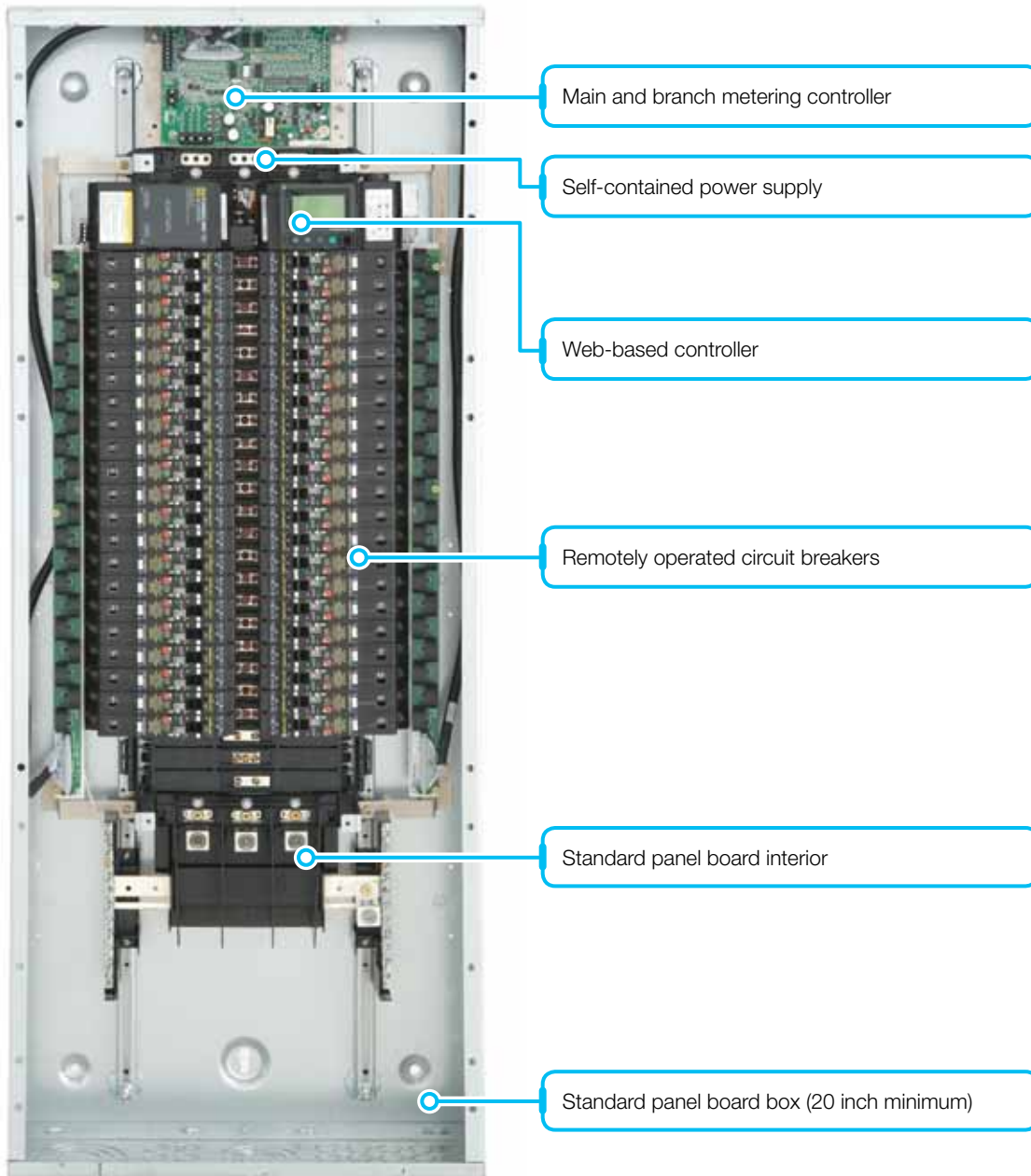
- Factory assembled in a standard NF or NQ panelboard.
- Industry-leading monitoring capabilities for maximum power reliability.
- Branch circuit power meter supports up to 84 individual branch circuit monitoring points through board mounted individual CTs.
- Main metering capability through optionally provided CTs.
- Network communications via Modbus® RTU.
- Available in 20 inch or 24 inch standard box widths.
- Compatible with PowerLogic ION Enterprise, PowerLogic System Manager, and PowerLogic SCADA software, giving you reliable, end-to-end power monitoring and control, or available as a standalone panelboard solution with our customized MVP Software.

Measurement and Verification Panelboards (MVP)

Powerlink MVP

Powerlink MVP Intelligent lighting panelboards provide a simple, cost effective, and energy code compliant way to meter and control branch circuits from a standard panelboard. Powerful microprocessor based controllers provide lighting control and power metering. Integral metering is accomplished using the PowerLogic branch circuit power meter (BCPM), a highly accurate, full-featured, multi-branch circuit power meter that provides unrivalled low-current monitoring.

For Diagram see technical section page 69



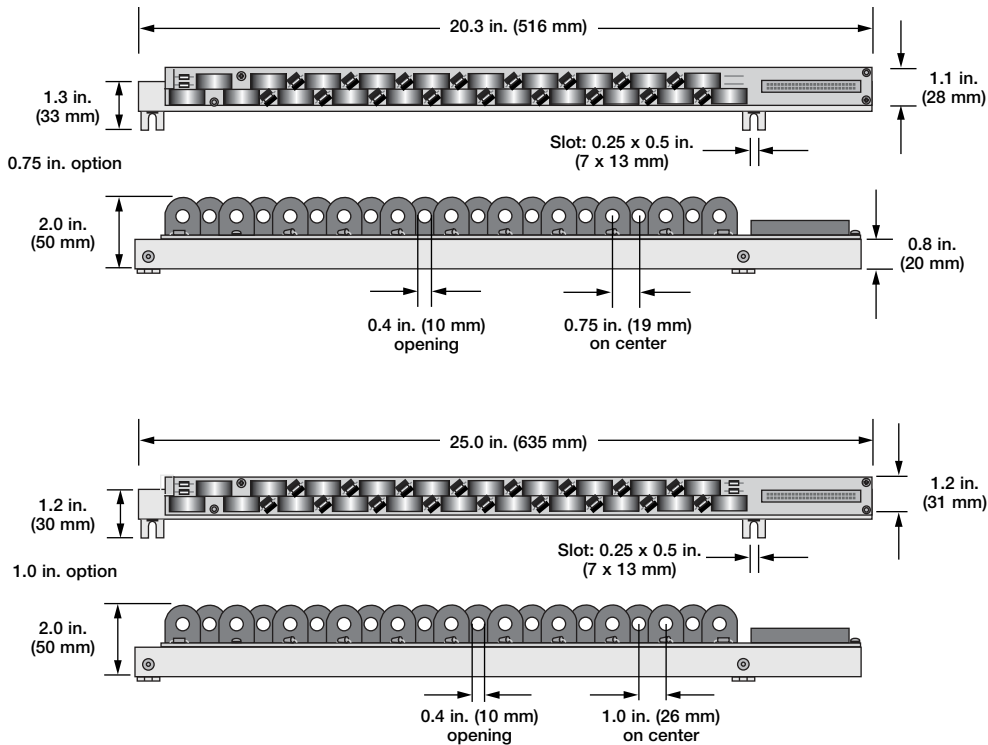
Features

- Verify energy savings by circuit, zone, space, or complete lighting system*
- Monitor performance to assure system is working as intended*
- Review data for planning and subsequent energy savings opportunities*
- Implement cost according to actual energy used*
- Measure occupancy and usage patterns
- Schedule events, view branch circuit status, and examine system event logs
- Reports for planning and energy savings opportunities
- Alarm notifications when operation falls outside of defined parameters
- Embedded web server
- Automatic sunrise/sunset tracking with offsets
- Offers the widest dynamic monitoring range within its class
- Attain a granular vision of power and energy use to pinpoint areas for optimization or areas in need of additional capacity

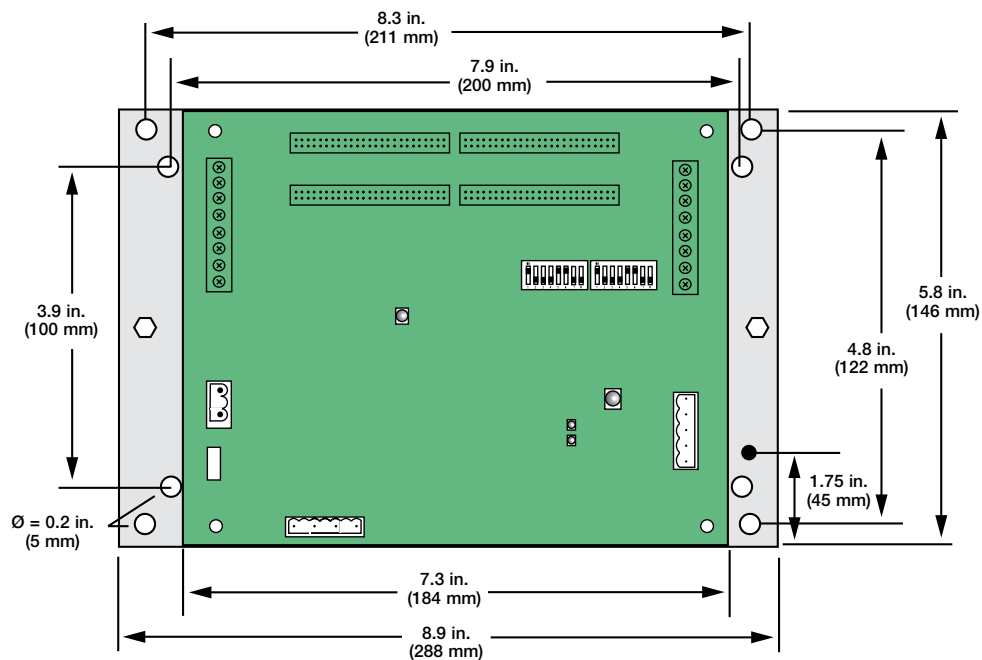
*Requires BMS or Metering UI to utilize these features

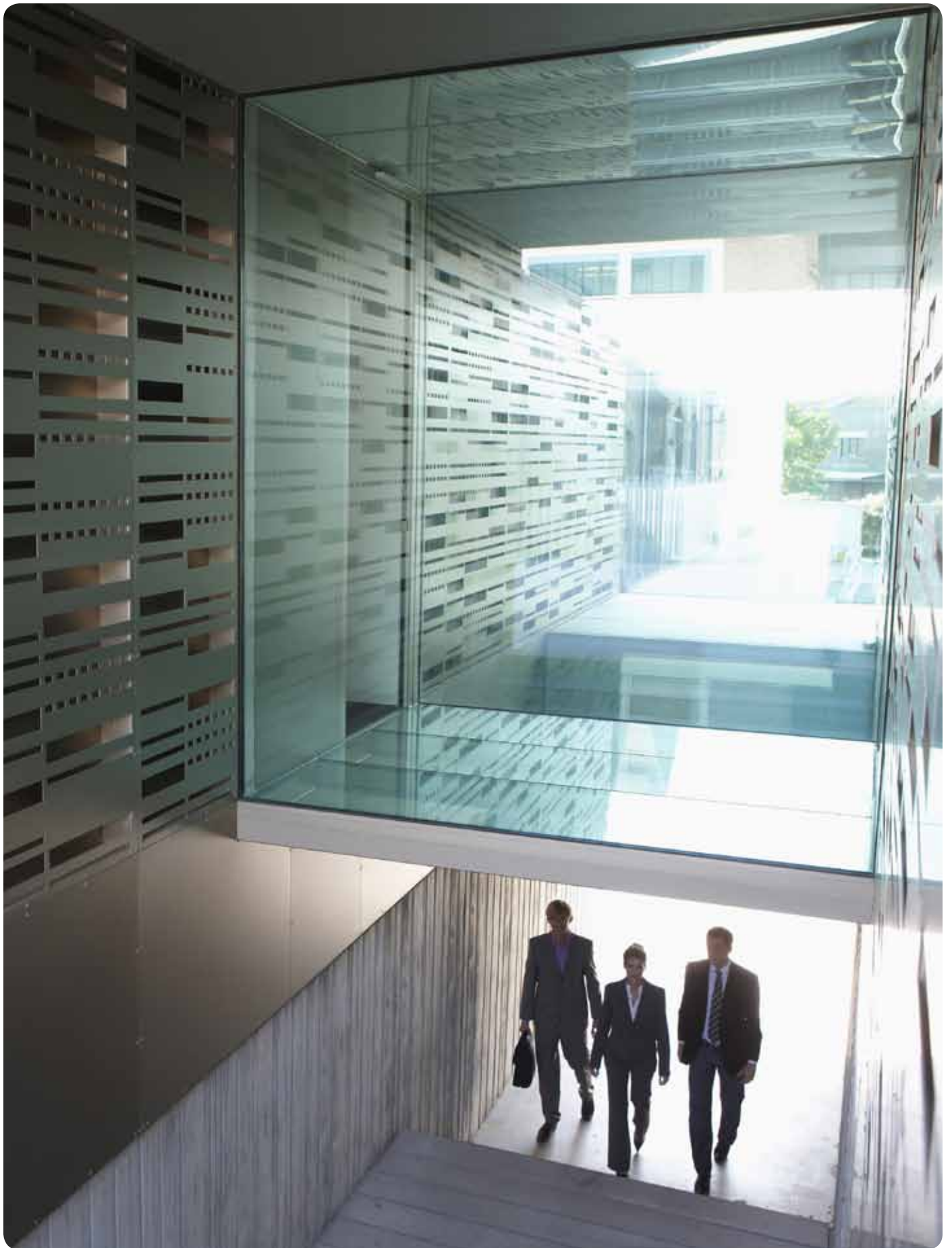
Powerlink Measurement and Verification Lighting Panelboard (MVP)

Current Sensor Strips



Circuit Board with Mounting Bracket







Powerlink Lighting Control





Powerlink Lighting Control

For many designers, the engineering of a suitable lighting control system has become a daunting task. The designer must balance space constraints, equipment/installation costs, maintenance and operational concerns, while ensuring a code-compliant installation. Fortunately, the Powerlink G3 lighting control system addresses concerns by:

- **Using standard lighting panelboards**

All Powerlink G3 components mount in the panel just like a standard circuit breaker. Documenting your control system layout is as simple as indicating which branch circuits are to be controlled.

- **Saving space**

Since the lighting control system is located inside the lighting panelboard, valuable wall and floor space is available for more productive uses. Schneider Electric also offers space-saving, column-width panelboards and flexible modular panelboard systems.

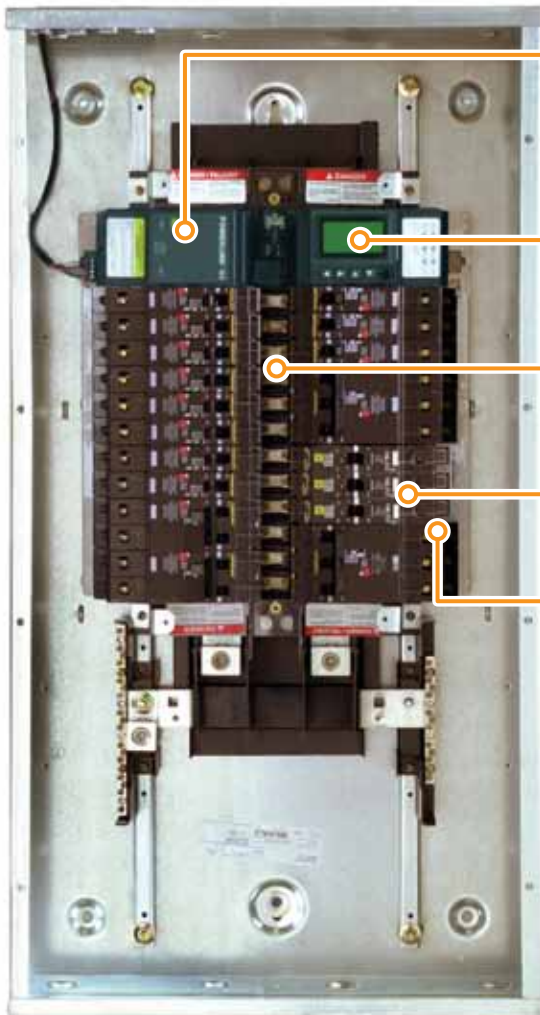
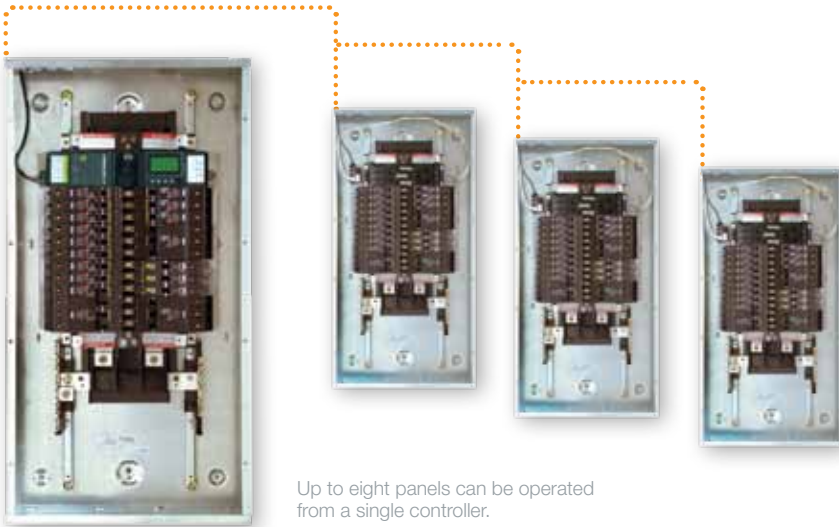
- **Complying with codes**

With today's high available fault currents, it's extremely important that your system meets code requirements. The Powerlink G3 system is fully UL listed and meets NEC® requirements.

- **Building Integration & Control**

Today more than ever, building owners and facility managers want to get the most out of every dollar invested in their building infrastructure. Powerlink lighting control systems integrate easily with other building systems as part of an energy management system or building automation system, supporting common open protocols such as BACnet and Modbus. Compared to standard lighting panelboards, Powerlink lighting control systems typically achieve enough energy savings to pay for the panelboard many times over.

Powerlink G3 Panel Mounted Components



A self-contained power supply furnishes the power for remotely operated circuit breaker switching and for the system's electronics.

The intelligence of the Powerlink G3 system comes from its microprocessor-based controller. It processes many signals that originate externally from control devices, such as switches or sensors, or from its powerful internal time scheduler that switches breakers according to predefined daily schedules.

Innovative Schneider Electric remote-operated circuit breakers combine the protective features of conventional circuit breakers with the switching functions of a contactor.

Conventional EDB circuit breakers can be readily incorporated into a G3 panel.

Plug-on control bus strips act as the bridge between the circuit breakers and the electronic control components of a Powerlink G3 system.

NF Panelboards, Column Width & Custom Panel Boards

The NF Panelboard offers superior performance and application flexibility for commercial and industrial electrical systems up to 480Y/277 V. Schneider Electric is the only lighting control supplier that offers a full range of enclosure options including NEMA Type 3R, 5 and 12. The following designs are available to suit your needs:

- **Standard** – The NF Panelboard offers superior performance and application flexibility for commercial and industrial electrical systems up to 480Y/277 V. This versatile lighting and power distribution panelboard features a wide selection of circuit breakers, accessories, and ready-to-install kits, as well as 200% rated neutrals for non-linear loads.
- **Column-width** – These innovative panels are designed to fit into a standard size W, H, or I-beam support columns commonly found in distribution and industrial facilities. Column-width panelboards can also be wall mounted, saving valuable floor and wall space where tight equipment space is a concern.
- **Modular Panelboard Systems (MPS)** – This panel system bundles electrical distribution equipment into a single, factory assembled and wired integrated system. This approach replaces the traditional method of independently mounting each panelboard and lighting control system, which saves space and reduces installation time. Modular panelboard systems are tailored to specifications and are available with a mix of Schneider Electric NQOD, NF, NF Column-width and Schneider Electric Powerlink interiors, as well as optional power and control wiring, dry type transformers, lighting contactors, transient voltage surge suppression (TVSS) units, and enclosure space for field installed equipment. All MPS panelboards are Underwriters Laboratories (UL) Listed under File E33139 (Panelboard UL67).
- **Integrated Power Center (IPC)** – This integrated system offers the wide range of factory assembled and wired panelboards interiors, dry type transformers, and lighting control as offered with the MPS line. In addition, the IPC offers factory installed and programmed building management systems, automatic transfer switches, and motor starters. Regardless of your system complexity, Schneider Electric has the expertise to integrate your requirements into one optimized, cost effective, space saving solution. IPCs are Underwriters Laboratories (UL) Listed under file E83877 (Dead-Front Switchboard UL891).

For Diagram see technical section page 88



NF Column Width Panelboard

Powerlink

Remotely Operated ECB-G3 Circuit Breakers

Powerlink G3 remotely operated circuit breakers are designed for installation in Schneider Electric NF Lighting Panelboards as part of the Schneider Electric Powerlink G3 Lighting Control System. These circuit breakers provide the same overcurrent protection as found in standard circuit breakers.

The Best in Remote Operation

- Robust 24 Vdc motor and highly effective trip mechanism provide unequalled remote operation capability in terms of compact size, electrical ratings, and mechanical life.
- Motor and drive train can open and close the contacts when the circuit breaker handle is in the ON position.
- Contacts cannot be closed remotely when the handle is in the OFF position or the circuit breaker is tripped.
- Manual override selector located on the front of the breaker provides by-pass of automated control command.
- In manual mode, the motor drive train is disconnected from the contact, allowing the circuit breaker handle to operate the contacts like a conventional circuit breaker.
- Remote contact status indication – determines the presence or absence of voltage on the load side terminal of the circuit breaker.



ECB-G3 Series Remotely Operated Circuit Breakers

Product Features

- 200,000 cycles (ON/OFF) load endurance
- Remote and local status
- Manual override
- Extra large load terminal

Tripping System with True RMS Sensing

- Schneider Electric Powerlink ECB-G3 circuit breakers have a permanent trip unit that contains a factory preset thermal (overload) trip element and a magnetic (short circuit) trip element in each pole.
- The thermal trip element – true RMS sensing and is calibrated to carry the continuous current rating of the circuit breaker at 140° F (40° C) free air ambient temperature.

Technical Information

Voltage	120 Vac	240 Vac	480/277 Vac
Interrupting capacity	65 kAIR	65 kAIR	14 kAIR
Terminals	(1) #14 – 8 AL or (1) #14 – 8 CU		
Standards	UL Listed 489, NEMA Standard AB-1-1986, CSA Standard 22.5		

*For series connector ratings, see page 89

Catalog Number	One-Pole	Catalog Number	Two-Pole	Catalog Number	Three-Pole
ECB14015G3*	15 Amp	ECB24015G3*	15 Amp	ECB34015G3*	15 Amp
ECB14020G3*	20 Amp	ECB24020G3*	20 Amp	ECB34020G3*	20 Amp
ECB14030G3	30 Amp	ECB24030G3	30 Amp	ECB32030G3	30 Amp**

*Switch Duty Rated

**Not available in 480 V

ECB-G3EL Remotely Operated Circuit Breakers for Emergency Lighting Circuits

Powerlink ECB-G3EL circuit breakers provide a means to comply with the requirements of the NEC, 700.12. The circuit breaker contains both a remotely operated switched circuit for controlling the luminaires, and a manually operated unswitched circuit, which provides power to the unit emergency equipment's charging and detection circuit. Both circuits are electrically tied to the same source via a single common bolt-on connection that receives its supply from the panelboard bus.

Both circuits of the ECB-G3EL breaker contain a thermal-magnetic trip mechanism that protects their associated conductors from overcurrent. The circuit breaker provides a common trip function ensuring that both circuits will open whenever a fault occurs on either of the circuits. It also provides a common handle tie to ensure that both circuits are manually switched together.

Technical Information

Voltage	120 Vac	240 Vac	480/277 Vac
Interrupting capacity	65 kAIR	65 kAIR	14 kAIR
Terminals	(1) #14 – 8 AL or (1) #14 – 8 CU		
Standards	UL Listed 489, NEMA Standard AB-1-1986, CSA Standard 22.5		

Catalog Number	Description
ECB142020G3EL	20 Amp



ECB-G3EL Remotely Operated Circuit Breakers for Emergency Lighting Circuits

Product Features

- 200,000 cycles load endurance
- Remote and local status
- Manual override
- Extra large load terminal

Powerlink

G3 Control Bus

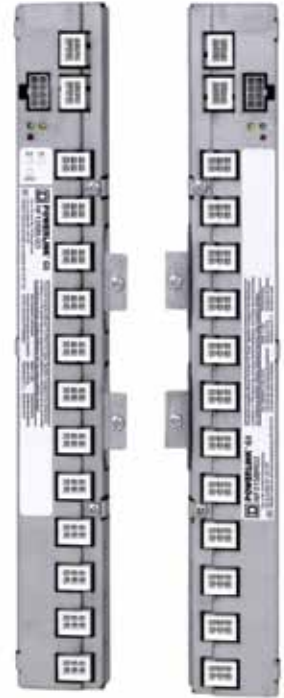
Powerlink G3 Control Buses provide the interface between the system controller and remotely operated circuit breakers. Specifically, they distribute 24 Vdc switching power and control signals to switch remotely operated circuit breakers and report circuit breaker status back to the system controller.

One to four control bus strips can be mounted in a single panelboard. If only one control bus is required, it is always mounted on the left-hand side of a standard panelboard or at the top of a column-width panelboard.

Technical Information

Operating Temperature (external panelboard ambient)	23° F to 104° F (-5° C to 40° C)
Storage Temperature	-4° F to 185° F (-20° C to 85° C)
Operating Humidity	5% to 95% (non-condensing)
ESD Immunity	IEC 1000, Level 4
RF Susceptibility	IEC 1000, Level 3
Electrical Fast Transient Susceptibility	IEC 1000, Level 3
Electrical Surge Susceptibility, power line	IEC 1000, Level 4
Electrical Surge Susceptibility, interconnection lines	IEC 1000, Level 3
Standards	FCC Part 15, Class A; UL Listed 916 Energy Management Equipment

Catalog Number	Max. Control Circuits	Orientation
NF12SBLG3	12	Left
NF12SBRG3	12	Right
NF18SBLG3	18	Left
NF18SBRG3	18	Right
NF21SBLG3	21	Left
NF21SBRG3	21	Right



Ceiling Mounted Occupancy Sensor Ultrasonic

Product Features

- Attaches to NF Panelboard interior mounting rail.
- Modular connectors provide secure plug-in connections for remotely operated circuit breakers and control electronics.
- No open electronics.

Powerlink Power Supply

Powerlink G3 Power Supply provides power to operate the controller, control buses and remotely operated circuit breakers. The power supply attaches to an NF Panelboard interior in the same manner as a standard 3-pole circuit breaker.

The power supply derives its power from the panelboard interior bus and converts the line voltage into two separate supplies: one supply furnishes the controller with a 24 Vdc,

Class 2 source; the other supply furnishes the control bus and subnet with a 24 Vdc, Class 1 source.

An optional type of power supply, furnished with primary leads, is available for use with a separately derived primary power source. This option is often used in applications where the system must remain operational during power outages. In such applications, the external leads are connected to an uninterruptible power supply (UPS) or alternate power source.

In 20-inch (508 mm) wide panels, the power supply is always located in the upper left-hand corner of the interior. The controller is mounted adjacent to the power supply on the right-hand side.



Power Supply

Technical Information

Operating Temperature (external panelboard ambient)	23° F to 104° F (-5° C to 40° C)
Storage Temperature	-4° F to 185° F (-20° C to 85° C)
Operating Humidity	5% to 95% (non-condensing)
ESD Immunity	IEC 1000, Level 4
RF Susceptibility	IEC 1000, Level 3
Electrical Fast Transient Susceptibility	IEC 1000, Level 3
Electrical Surge Susceptibility, power line	IEC 1000, Level 4
Electrical Surge Susceptibility, interconnection lines	IEC 1000, Level 3
Standards	FCC Part 15, Class A; UL Listed 916 Energy Management Equipment

Catalog Number	Voltage	Primary Source
NF120PSG3	120 V	Panel Bus
NF240PSG3	240 V	Panel Bus
NF277PSG3	277 V	Panel Bus
NF120PSG3L	120 V	External Leads
NF240PSG3L	240 V	External Leads
NF277PSG3L	277 V	External Leads

Product Features

- Attaches to panelboard interior, occupies three adjacent pole spaces.
- External lead for connection to panel neutral.
- Modular connectors provide secure plug-in connections for connection to left-hand side control bus and controller.
- LED indication of Class 1 and Class 2 voltage sources operational status.
- Removable communication terminal block for making subnet connections.
- Internally self-protected against short circuits and electrical surges.
- Low continuous power draw, less than 20 VA.
- Optional external leads for connection to remote power source.
- No open electronics.

Powerlink Controllers

Powerlink G3 product line offers a simple, cost-effective means for controlling branch lighting circuits. Five distinct systems provide a variety of capabilities to meet virtually any need.

500 Level System

- Designed to be used in conjunction with other control devices such as: External time clocks, access readers, occupancy sensors, or other building systems.
- Control devices provide either dry-contact closures or digital serial communications.
- Incorporates internal programmable timers.
- Controller responds to commands from control devices by automatically switching a programmed group of lighting circuits.

1000 Level System

- Includes all the features of the 500 level system, Plus:
- Incorporates a flexible time scheduler that eliminates the need for external time clocks. Includes many control features not found in traditional, mechanical time clocks or energy management systems.
- Ideally suited for stand-alone systems in retail, office, institutional, and industrial facilities.

2000 Level System

- Includes all the features of the 1000 level system, Plus:
- Combines the control, input, and scheduling features of the NF1000 with the added benefit of embedded Ethernet connectivity.
- Peer-to-peer (P2P) control network connectivity allows different controllers to share input signals, schedules, and lighting zone states.
- Ethernet connectivity reduces network installation costs by eliminating the need for a dedicated lighting control network.

3000 Level System

- Combines control, input, and scheduling features of the 2000 level controller, Plus:
- Embedded web server for remote access without dedicated software
- Automated alarms notify users via email when pre-defined events occur (eg: trip breakers)



Controller

3000C Level System

- 3000C controller adds all the features of the 3000 level controller, plus the ability to integrate with C-Bus devices on the C-Bus network

BacNet Capability

- The Building Automation and Control network (BACnet) communication protocol is being incorporated into the existing Powerlink G3 controller design. The BACnet protocol allows Powerlink panels to be easily integrated into a Building Automation System (BAS) employing this open communication standard without the need for communication bridges or gateways.

Controller Models

The following Powerlink G3 controller models support 'native' BACnet communications, BACnet IP, and BACnet MS/TP on RS-485:

- NF2000G3 — Ethernet communications, shared remote inputs, network time synchronization
- NF3000G3 — Email upon alarm, onboard web pages for status/control/configuration
- NF3000G3C — C-Bus communications (ability to interface with a C-Bus lighting control network)

* NF3000G3C does not have RS485 capabilities (BACnet MS/TP)

Catalog Number	Controller Type
NF500G3	500 Level Powerlink G3 Controller
NF1000G3	1000 Level Powerlink G3 Controller
NF1000G3N2	1000 Level Powerlink G3 Controller w/N2 Protocol
NF2000G3	2000 Level Powerlink G3 Controller
NF3000G3	3000 Level Powerlink G3 Controller
NF3000G3C	3000 Level Powerlink G3 Controller w/C-Bus Capabilities

Controller Feature Comparison

Feature	System Level			
	500	1000	2000	3000
Input Terminals▲				
2-wire	8	16	16	16
2-wire with status feedback ▼	8	8	8	8
3-wire	8	8	8	8
Input Types				
2-wire normally open (NO) or normally closed (NC)	X	X	X	X
2-wire NO or NC, with automatic blink notification	X ♦	X	X	X
2-wire maintained toggle	X ♦	X	X	X
2-wire momentary toggle	X ♦	X	X	X
2-wire momentary ON or momentary OFF	X ♦	X	X	X
3-wire momentary	X ♦	X	X	X
Input timers (1 sec. up to 18 hours)	X ♦	X	X	X
Input synchronization	—	X	X	X
Sentry® Switch support	X ♦	X	X	X
ON delay/OFF delay	X ♦	X	X	X
Time Scheduler				
Independent schedules	—	16	16	16
ON-OFF periods/schedule	—	24	24	24
7-day 24-hour repeating schedule	—	X	X	X
32 special event/holiday periods	—	X	X	X
Automatic daylight savings	—	X	X	X
Sunrise/sunset with offsets	—	X	X	X
Network time synchronization (requires TCP connection)	—	—	X	X
Network Variables				
Communications inputs (network accessible)	64	64	64	64
Remote sources (per controller)	—	—	32	32
Maximum subscriptions	—	—	256	256
Zones				
Maximum number	64	64	64	64
Maximum sources per zone	1	2	4	4
Configurable source logic (OR, AND, XOR, XNOR, NOR, NAND, LAST EVENT)	—	^	X	X
Maximum remotely operated circuit breakers (per subnet)	168	168	168	168
Blink notice (single, double, delay no blink)	X ♦	X	X	X
ON-time	X ♦	X	X	X
Networking				
RS-232 port/RS-485 port	X	X	X	X
Ethernet (10BaseT port)	—	—	X	X
Protocols				
BACnet	—	—	X	X
C-Bus	—	—	—	X †
Modbus ASCII/RTU	X	X	X	X
Modbus TCP	—	—	X	X
Johnson Controls N2	—	X ★	—	—
DMX512	—	X	X	X
Front Panel				
LED display with cover	X	—	—	—
Backlit LCD display	—	X	X	X
Password or front panel disable	X ♦	X	X	X
Memory				
Non-volatile memory for programs and configuration	X	X	X	X
On-board capacitor to power clock chip during power outage	—	X	X	X
Flash memory for firmware upgrade	X	X	X	X
Viewing Options				
Event Log	—	+	X	X
Strike Counter	X ♦	X	X	X
Alarm viewing via Event Log	—	+	X	X
Alarm viewing via e-mail	—	—	—	X
Web-based setup, control and status monitoring	—	—	—	X

▲ Terminals accept 24-18 AWG conductors
 ♦ Requires configuration software for setup.

★ Order NF1000G3N2 controller for use with Johnson Controls.
 ▼ 7.5mA maximum load per input terminal.

† 3000G3C controller
 + Not available with NF1000G3N2 controllers.

^ And/or last event

Powerlink

Remote Source Controller

The Powerlink Remote Source Controller (RSC) provides additional scheduling and dry-contact inputs via high speed Ethernet connectivity that links a wide variety of input devices to a 2000 or 3000 level Square D Powerlink system.

Product Features

- High Speed Connectivity
- Ethernet communication eliminates bottlenecks typically associated with serial devices.
- Uses existing LAN infrastructure to reduce input wiring cost.
- Uses convenient radial feeds to independent input devices; this avoids pitfalls that are typically associated with daisy-chained network digital switches.



Remote Source Controller

Powerful Control Capability

- Supports (16) 2-wire inputs, (8) 2-wire inputs with status output, or (8) 3-wire inputs.
- Fully configurable from LCD display/keypad or via LCS/PCS software.
- Specifically designed to operate in conjunction with 2000 and 3000 level controllers.
- Any RSC input can be set up to control any remotely operated circuit breaker connected to the system.
- Assignable input timers, input synchronization, and programmable behavior according to specified time period.
- Provides an additional (16) independent time schedules that can be configured to operate any circuit breaker or zone configured on the system.

Product Features

- NEMA Type 1 enclosure w/knockouts
- UL Listed

Technical Information

Dimensions	12 in. x 12 in. x 6 in. (304.8 mm x 304.8 mm x 152.4 mm)
Mounting	Wall mount
Ethernet Port	(1) 10BaseT port
Inputs	(16) dedicated 2-wire inputs or (8) 3-wire inputs
Outputs	(8) outputs (max of 60 mA total for all outputs combined)
Auxiliary Power	24 Vdc (100 mA max)
Terminal Wire Range	#24 – 18AWG
Input Voltage	120/240/277 Vac
Input Power Requirements	20 VA max
Standards	UL Listed 916 Energy Management Equipment

Catalog Number	Description
RSC16G3120	120 V
RSC16G3240	240 V
RSC16G3277	277 V

Powerlink

Remote Mount Controller

With the new Remote Mount Controller (RMC), Powerlink electronics can be mounted externally to the panelboard, freeing up valuable circuit spaces. RMCs are also useful in applications where access to panelboards is not permitted.

Benefits

- Saves valuable circuit space: mounts on wall space next to any existing panelboard.
- Saves Time and Money: RMCs are easy to install for retrofit applications. They mount quickly and easily to reduce costly installation and downtime.
- Power and Flexibility: add Lighting Control to any new or existing panelboard application. RMCs are available with any POWERLINK G3 controller — it's the perfect fit.



Remote Mount Controller

Catalog Number	Controller	Type Voltage
RMC500G3120	500	120 Vac
RMC500G3240	500	240 Vac
RMC500G3277	500	277 Vac
RMC1000G3120	1000	120 Vac
RMC1000G3240	1000	240 Vac
RMC1000G3277	1000	277 Vac
RMC1000N2G3120	1000N2	120 Vac
RMC1000N2G3240	1000N2	240 Vac
RMC1000N2G3277	1000N2	277 Vac
RMC2000G3120	2000	120 Vac
RMC2000G3240	2000	240 Vac
RMC2000G3277	2000	277 Vac
RMC3000G3120	3000	120 Vac
RMC3000G3240	3000	240 Vac
RMC3000G3277	3000	277 Vac

For Diagram see technical section page 92

Product Features

- NEMA 1 enclosure with hinged door for access to controller and connections.
- Compact dimensions – 12 in. x 12 in. x 6 in. (305 mm x 305 mm x 152 mm)
- Integral power supply for connection to 120 V, 240 V, and 277 V systems.
- Full range of Powerlink G3 controller options
- UL Listed 916 Energy Management Equipment
- Low power consumption – 20 VA max.

Powerlink

LCS Advanced and LCS Basic software

Convenient Desktop Access

Unlock the potential of the Powerlink G3 lighting control system with LCS Basic and Advanced software from Schneider Electric. Schedule events, override lighting, and check the status of breaker with the click of a button. Easy-to-navigate software gives a whole new meaning to lighting control.

- Reduce costly down time by using a personal computer to access information and programming.
- Create schedules that easily apply to all controllers within a system, rather than programming each controller individually.
- Quickly view branch circuit status. (on, off, tripped, or non-responding)
- Examine system event logs, make configuration modifications, create or modify schedules, initiate overrides, and upgrade firmware.

Multi-Device Support (LCS Advanced)

Imagine having the ability to configure, monitor, or control a hundred or more panels at one time. LCS makes it a reality. From a large office building, college campus, military base, and manufacturing facility, to a small retail site, users of LCS Advanced have the ability to configure the entire system from one location, greatly reducing commissioning, monitoring, and control time. Users can quickly view branch circuit status (on, off, tripped, or non-responding) for the entire system at one time. Examine system event logs, make configuration modifications, create or modify time schedules, initiate overrides, and upgrade firmware simultaneously.

Firmware & Software Updates

Easy to use firmware upgrade features are built directly into the LCS software. This not only allows the user to access the latest and greatest releases, but now LCS gives the user the ability to upgrade their software online as well.

Templates

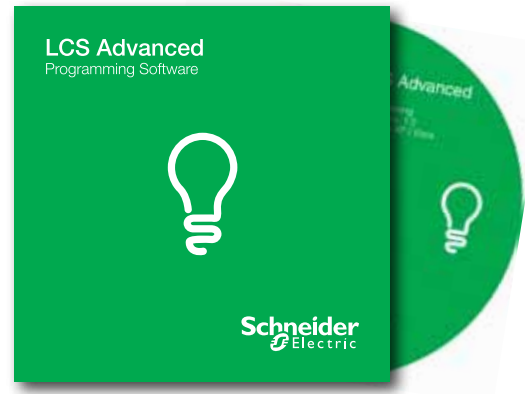
LCS implements a new approach to programming Powerlink G3 controllers by using global templates. Global templates allow the user to send “like” configuration data to multiple devices at one time. For instance, a single schedule can be setup one time and applied to multiple devices.

Device Discovery (LCS Advanced)

LCS Advanced software allows discovery of controller devices, taking the guess work out of communication setup. Don't have the IP address of the controllers that are needed to program, monitor, or control? Device discovery allows users to easily setup a system by searching the network and detecting supported devices. Find devices that are connected to a network using a serial, TCP, or gateway connection. Discovered devices can be added to the current system with the click of a button.

File Archiving

LCS is not tied to any proprietary databases. LCS uses standard file/folder archiving. Need to email a configuration to a facility manager? No problem, just attach the file, click send, and away it goes. No more importing and exporting from a database.



Security

LCS allows different levels of access to a lighting control system. Time, date and user access is recorded in the system log, and user changes and access needs can be restricted.

Reporting

LCS adds reporting functionality with customizable filtering and logging. Forgot when the last lamping project happened? With a click of a button a user can access breaker on-times and reset counters. Print and export reports to compile system trends.

Compare

LCS brings a new capability of comparing configurations stored on a computer to the configuration in the Powerlink G3 controller and notifies the user of the differences.

Restore

LCS can restore configurations to an earlier version, with the click of a button, a backup of the original configuration is readily available.

Network File Sharing Repository

LCS allows users to save and retrieve configuration files on remote servers creating less confusion when multiple users are accessing and programming the system.

Minimum Hardware Requirements

This software is designed to operate on a PC meeting the following requirements:

- Processor: 800 MHz, RAM: 512 MB
- Hard Drive: 500 MB available, Video 1024x768 minimum resolution
- Media: CD-ROM
- Inputs: Keyboard and Mouse

Recommended Hardware Requirements

- Processor: 1.6 GHz
- RAM: 1 GB
- Hard Drive: 500 MB available, Video 1280x1024 minimum resolution
- Media: CD-ROM
- Inputs: Keyboard and Mouse

Technical Information

Features	LCS Basic	LCS Advanced
Support for NFG3 Devices	X	X
NFG3 Setup	X	X
NFG3 Status	X*	X*
NFG3 Control	X	X
Controller Notes	X	X
Firmware Downloads	X	X
Device Clear Memory	X	X
Device Soft Reset	X	X
Device Configuration Comparison	X	X
Schedule/Special Day Templates	X	X
Restore to Previous Configuration (limited to 1 back-up)	X	X
Reports	X	X
Controller Out-of-sync Status (online only)	X	X
Device Discovery	—	X
Security	X*	X*
On-line Health Checks	X	X
Group Devices by Logical Set (multiple devices)	—	X
User Defined Location for Storing Data	X	X
Support for Future Devices	X	X
Online Updates	X	X

- ▲ LCS supports list of available autopoll periods for status screens of user's choice
- ◆ LCS allows a user to define as many accounts as needed based on 4 levels of ability (Software Supervisors, Supervisors, Power Users and Operators)

Catalog Number	Description
LCSBASIC	LCS Basic (CD)
LCSBASICUP	Full upgrade from PCS to LCS Basic (CD)
LCSADVANCED	LCS Advanced (CD)
LCSADVANCEDUP	Full upgrade from PCS to LCS Advanced (CD)

Supported Operating Systems

Windows XP® Service Pack 2, Windows Vista®, Windows 7®.

Required Software

The software requires the following Microsoft software applications to be installed: .NET Framework v2.0, Windows Installer v3.1 or later, Internet Explorer v6.0 or later.



The quick links and eye-catching icons of LCS software offers users a convenient and easy to use interface to the Powerlink G3 lighting control system.



With LCS, enjoy the comfort of tiered security access levels, ensuring that sensitive data and information is always well protected.

Powerlink Accessories

Slave Address Selector

The Slave Address Selector is required for each slave panel connected to a subnet. The slave address selector establishes a unique system address for the panel that is both essential for system operation and useful when the system is accessed from a remote location. The slave address selector plugs directly onto control buses.



- Rotary operated switch labeled 0–7 for addressing panels
- Removable terminal block for connecting subnet cable
- Modular plug for connecting the Slave Address Selector to smart bus using the Slave Bus Connect Harness

Slave Bus Connect Harness Assembly

The Slave Bus Connect Harness assemblies are required in slave panels furnished with two control buses. The harness contains modular plugs on each end.



Column-width Controller Cable

A Column-width Controller Cable is required to connect the power supply to the controller when used in an NF Column-width Panelboard.



Remote Mounting Adapter

The Remote Mounting Adapter provides a means for mounting a Powerlink controller and power supply in a separate enclosure. This bracket is ideal for retrofit applications where all 42 circuit spaces in the panelboard are required for branch circuit breakers.



Controller Front Panel Serial Cable

The Controller Front Panel Serial Cable is used to make direct RS-232 connections from the controller to a PC or laptop computer.



Custom Barrier Kit

The custom barrier kit provides a heavy-duty barrier for separating class II control circuits from power wiring.



Modem Kit

This kit, which is designed specifically for Schneider Electric Powerlink G3 controllers, contains all the necessary components for use with the controller.



RS-485/RS-232 Converter Kit

The RS-485/RS-232 converter kit allows connection from the RS-485 port of the controller to the serial port of a personal computer.



Subnet Cable

Four wire cable for connecting panels together in a subnet configuration.



Catalog Number	Description
NFSELG3	Slave address selector
NF2HG3	Slave bus connect harness
NFCW3G	Column width controller cable
NFADAPTERG3	Remote mounting adaptor
NFFPC3G	Controller front panel serial cable
NFASBKG3	Custom barrier kit
6382G3MODEM	Modem kit
6382RS485G3KIT	RS-485 converter kit
SLSLVS1Rx	1-button Schneider Electric relay panel switch with LED
SLSLVS2Rx	2-button Schneider Electric relay panel switch with LED

Catalog Number	Description
Subnet Cable	
NFSN06	6' (1.83 m) sub-net cable
NFSN10	10' (3.05 m) sub-net cable
NFSN25	25' (7.62 m) sub-net cable
NFSN50	50' (15.24 m) sub-net cable
Demo Cases	
63249-401-117	Powerlink Demo Kit — Standard Case
63249-401-118	Powerlink Demo Kit — Pelican Case

Powerlink

Device Power Supply

The Powerlink Device Power Supply is used to distribute power on a C-Bus network. Placed on the network, device power supplies will provide the current necessary for operating a variety of passive Schneider Electric C-Bus devices.

A Device Power Supply consists of a 8M enclosure containing one or two Power Supplies (120 or 277 Vac).

Technical Information

Nominal Line Voltage	Operates at 120 or 277 Vac, $\pm 10\%$, with a frequency range from 50 – 60 Hz
Maximum Line Current	9.9 mA for 120 V power supply 4.3 mA for 277 V power supply
Electrical Isolation	3.75 kV RMS from C-Bus to the line
Current Output	350 mA (single power supply unit) 700 mA (dual power supply unit)
Dimensions	12.57 in. (L) x 8.88 in. (W) x 3.8 in. (D) [319 mm (L) x 226 mm (W) x 97 mm (D)]
Weight	One power supply: 8.84 lb (4.01 kg) Two power supplies: 9.28 lb (4.21 kg)
Operating Environment	Temp.: 32° F to 113° F (0° C to 45° C) RH: 95%, noncondensing
Standards	UL: Listed 508A Industrial Control Equipment CSA 22.2 Spec 205 Signal Equipment FCC: Part 15.101, Class B Digital Device EN61000-4-2 Immunity to ESD

*For Diagram see technical section page 89

Catalog Number	Description
NFDP1120G3C	120 V Powerlink Single Power Supply
NFDP2120G3C	120 V Powerlink Dual Power Supply
NFDP1277G3C	277 V Powerlink Single Power Supply
NFDP2277G3C	277 V Powerlink Dual Power Supply



Powerlink Device Power Supply

Product Features

- Surface-mount NEMA Type 1 enclosure with cover
- Unit and C-Bus LEDs indicate the status of the line voltage and the network
- Sources up to 700 mA (dual power supplies) to the C-Bus network
- 120 or 277 Vac models available

Powerlink

Device Router

The Powerlink Device Router allows the exchange of data between a Powerlink NF3000G3C controller and Schneider Electric C-Bus devices.

The bidirectional device router can receive data from the C-Bus input devices and send the data to the Powerlink panel/network. It can also receive data such as a contact closure from the Powerlink input and send that data to a C-Bus output/network.

The device router consists of a C-Bus 8M enclosure containing a PC Interface and a Power Supply (120 Vac or 277 Vac). Communication between the device router and the NF3000G3C controller is made with the included 50-foot serial cable.

Technical Information

Nominal Line Voltage	Operates at 120 or 277 Vac, $\pm 10\%$, with a frequency range from 50 – 60 Hz
Maximum Line Current	9.9 mA for 120 V device router 4.3 mA for 277 V device router
Electrical Isolation	3.75 kV RMS from C-Bus to the line
Current Output	350 mA to the C-Bus network
Status Indicators	Unit and Unit/Comms: Line voltage, unit power, and data transmission C-Bus: Power levels and presence of C-Bus clock
Serial Connection	(1) 9-pin RS-232 D-type serial connector; (2) RS-232 RJ-45 connectors
C-Bus Connection	(2) RJ-45 sockets for connection to the C-Bus network
Data Cable	50 ft serial
Dimensions	12.57 in. (L) x 8.88 in. (W) x 3.8 in. (D) [319 mm (L) x 226 mm (W) x 97 mm (D)]
Weight	9.1 lbs (4.13 kg)
Operating Environment	Temp.: 32° F to 113° F (0° C to 45° C) RH: 95%, noncondensing
Standards	UL: Listed 508A Industrial Control Equipment CSA 22.2 Spec 205 Signal Equipment FCC: Part 15.101, Class B Digital Device EN61000-4-2 Immunity to ESD

*For Diagram see technical section page 89

Catalog Number	Description
NFDR120G3C	120 V Powerlink Device Router
NFDR277G3C	277 V Powerlink Device Router



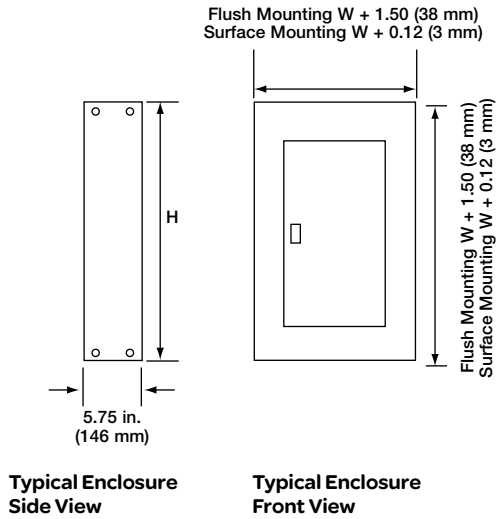
Powerlink Device Router

Product Features

- Surface-mount NEMA 1 enclosure, with cover
- Unit, Unit/Comms, and C-Bus LEDs indicate the status of data transmission and power to the unit and the network
- System network clock for synchronizing communications data
- Network power source, supplying up to 350 mA
- 120 or 277 Vac models available

Dimensional Drawings

NF Panelboard (indoor enclosure)

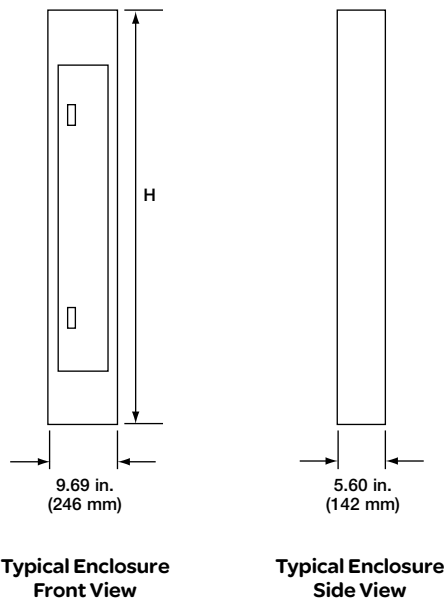


Max. Main Lug Ampere Rating	Max. Number of Circuits	Enclosure Height (H)		Max. Main Lug Ampere Rating	Max. Number of Circuits	Enclosure Height (H)	
		In.	mm			In.	mm
125 A	12	26	660	125 A (EDB, EGB, EJB)	18	32	813
	18	26	660		30	38	965
	30*	32	813		42	44	1118
250 A	30	38	965	100 A (HDL, HGL, HJL, HLL)	12	38	965
	42	44	1118		18	38	965
	54	50	1270		30*	44	1118
100 A (FIL)	12	38	965	400 A	30	50	1270
	18	38	965		42	56	1422
	30*	44	1118		54	62	1575
250 A (JDL, JGL, JJL, JLL)	30	50	1270	600 A	30	50	1270
	42	56	1422		42	56	1422
	54	62	1575		54	62	1575
800 A**	30	50	1270	400/600 A (LCL, LIL)	30	68	1727
	42	56	1422		42	74	1880
	54	62	1575		54	80	2032
400 A (LAL, LHL)	30	62	1575	-			
	42	68	1727				
	54	74	1880				

Note: These dimensions are standard. Please consult factory for special requirements.

*34W only **800A Panelboards are 8 3/4 in. deep

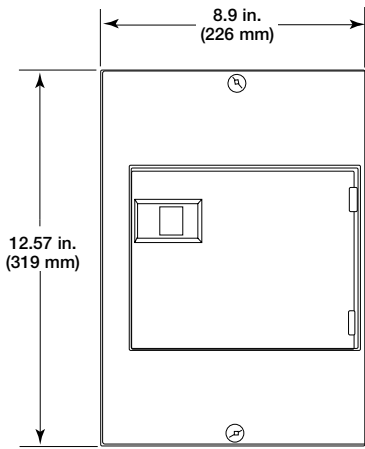
Column Width Panelboard



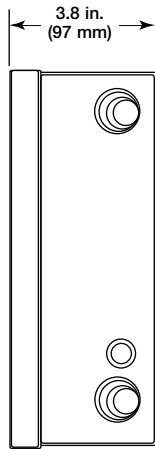
Max. Number of Circuits	Max. Main Lug Ampere Rating	Enclosure Height (H)	
		In.	mm
Ready-to-Assemble (Also Available Factory Assembled)			
Column Width — Main Lugs Only			
30	125 A	59	1499
42	225 A	71	1803
Column Width — Main Circuit Breaker			
30	125 A	59	1499
42	225 A	71	1803

Powerlink

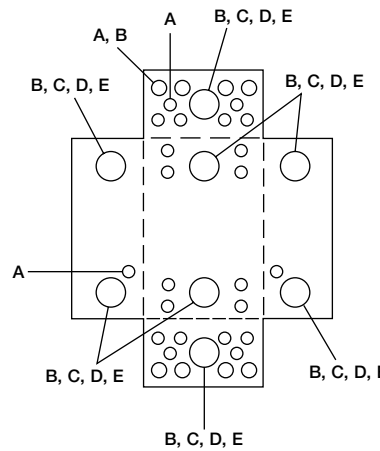
Device Power Supply/Device Router



Front view showing height and width



Side view showing depth



Conduit knockouts for the 8M enclosure

C-Bus 8M Enclosure Knockouts

Symbol	A	B	C	D	E
Conduit Size	1/2	3/4	1	1 1/4	1 1/2

Short Circuit Current Rating Table

This table lists the UL short-circuit current ratings for NF panelboards including ECB-G3 circuit breakers. The ratings apply to an integral main located in the same enclosure or a remote main located in a separate enclosure.

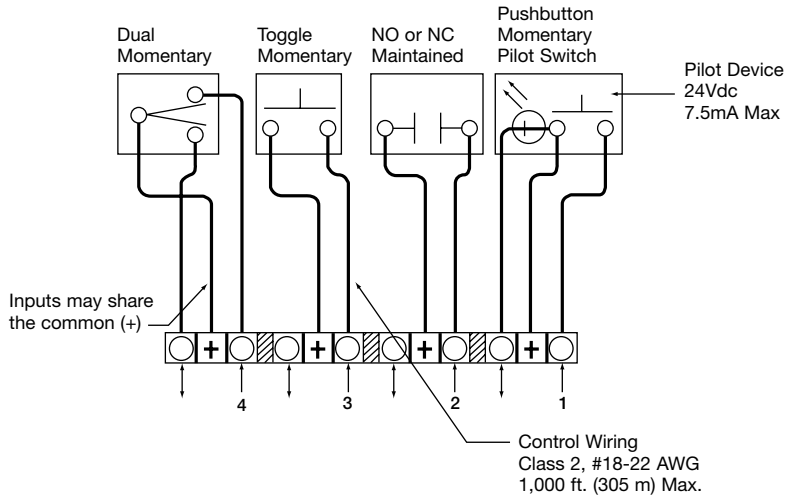
NF Panelboard SCCR Table			
Max. System Voltage	Max. Short Circuit Current Rating	Integral or Remote Main Circuit Breaker	Schneider Electric Branch Circuit Breaker Catalog Designation
120 120/240 240	65,000	EG, FH, FG, KH, LH, MH, MX, HG, JG	EDB, EDB-EPD
		EG	ECB-G3
277 480Y/277	100,000	EJ, FC, FJ, KC, LC, LX, HJ, JJ	EDB, EDB-EPD, EGB
		EJ, FC, KC, HJ, JJ	ECB-G3
	125,000	HL, JL	EDB, EDB-EPD, EGB, ECB-G3
		FI, KI, LI, LXI	EDB, EDB-EPD, EGB, EJB
	200,000	FI, KI	ECB-G3
		Class J or T (600 V) 200 A max. fuses	EDB, EDB-EPD
	35,000	EG, FG, HG, JG, KH, LH	ECB-G3
		EG, HG, JG	EDB, EDB-EPD, EGB
	65,000	EJ, FC, FJ, KC, LC, LX, HJ, JJ	ECB-G3
		EJ, FC, KC, HJ, JJ	EDB, EDB-EPD, EGB, EJB
	100,000	HL, JL	EDB, EDB-EPD, EGB, EJB
		400 A max. fuses	ECB-G3
	200,000	FI, KI, LI, LXI	EDB, EDB-EPD, EGB, EJB, ECB-G3
		FI, KI	—
200 A max. fuses		—	

RMS Symmetrical Amperes

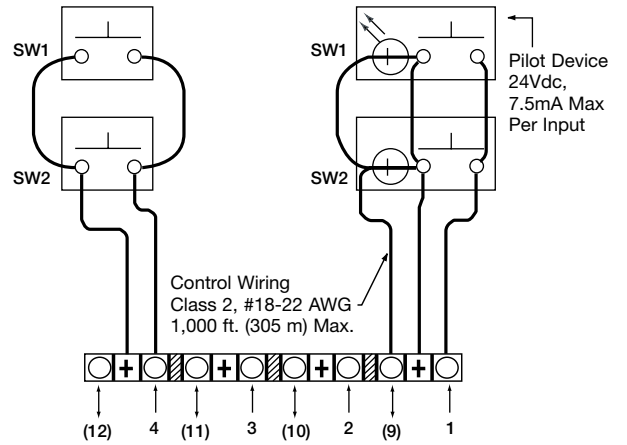
Wiring Diagrams

This section contains wiring diagrams for the Schneider Electric Powerlink G3 systems.

Typical Low Voltage Input Connections

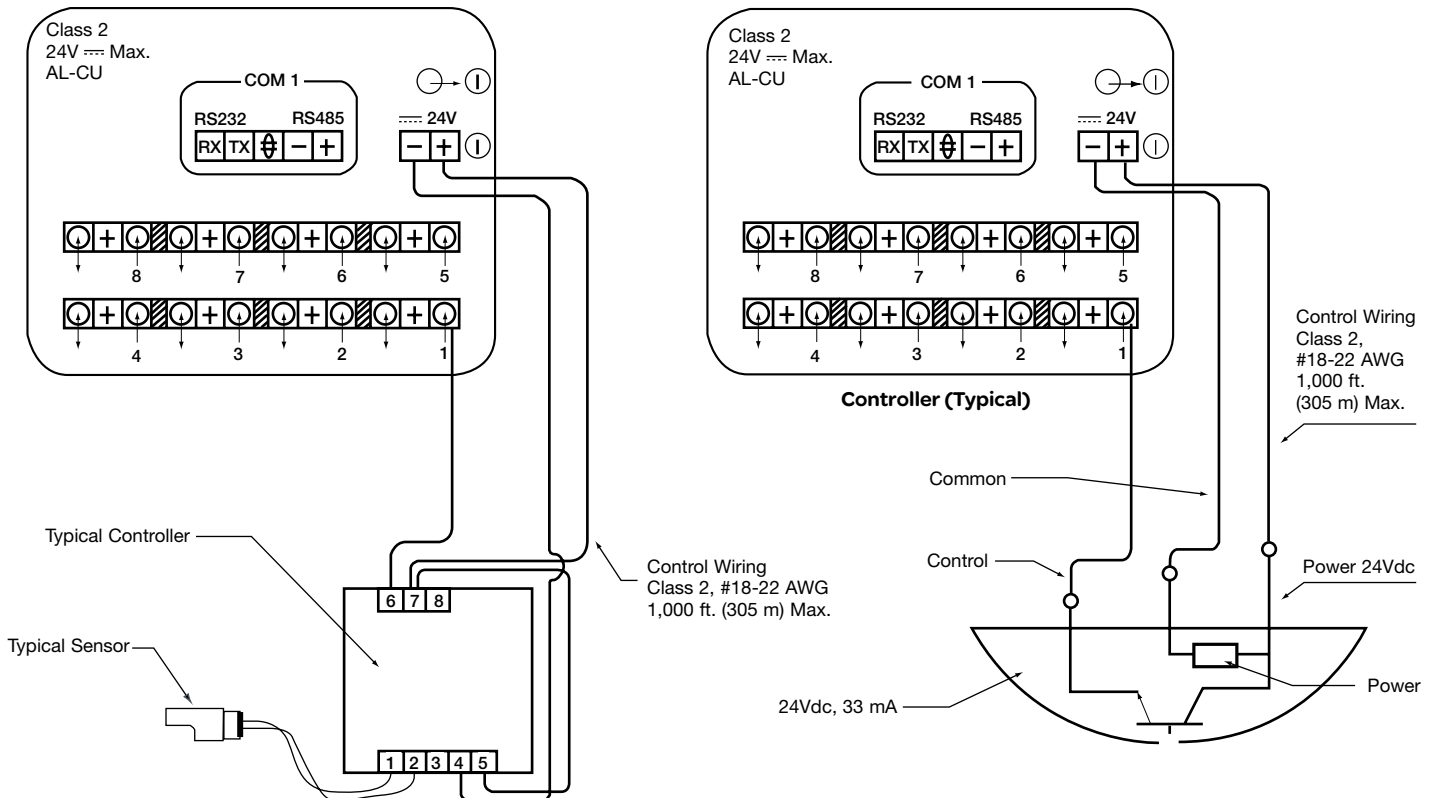


Various Low Voltage Switch Types



Typical Switch Types Wired in Parallel

Typical Photo Controller Wiring Diagram

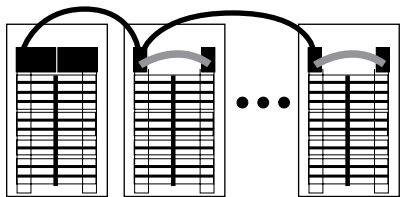


System Architecture

Three levels of communications are provided that can be easily tailored to individual application requirements.

Subnet Communications

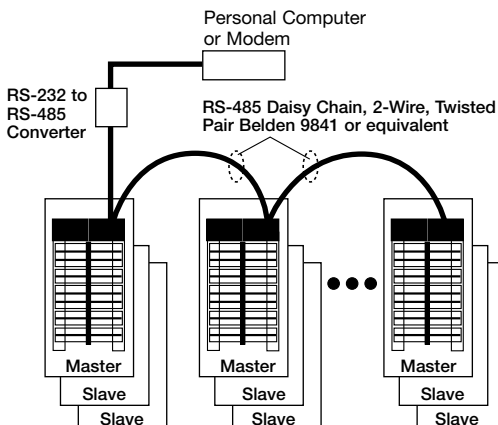
- Each Schneider Electric Powerlink G3 Controller can directly operate up to eight control buses.
- Controller signals the control buses to switch the associated branch circuits and polls each Schneider Electric Powerlink G3 Circuit Breaker to determine its actual status.
- Communications between the controller and the control buses are made with a 4-wire, Class 1 communications cable (Belden 27326 or equivalent).
- Slave panels (those containing control buses and remotely operated circuit breakers, but no controller) may be mounted up to 400 feet away from the master panel that contains the controller.



Subnet communications allow one controller to operate up to 168 remotely operated branch circuits.

Automation Network

- Each controller provides both RS-485 and RS-232 serial ports. Provides access up to 247 controllers using an RS-485 multi-drop configuration.
- An automation level network can also be used to communicate with other building systems such as energy management systems and card access controllers. The automation network uses widely accepted and supported industrial-proven protocols used by many building automation manufacturers and systems integrators
 - » Modbus ASCII/RTU open protocol in all Schneider Electric Powerlink G3 Controllers
 - » DMX512 protocol in automation level network for theatrical lighting applications in 1000, 2000, and 3000 level controllers
 - » Optional JCI-N2 protocol for 1000 level controllers
 - » Optional C-Bus Network capability with NF3000G3C controller and device router
 - » BACnet MS/TP open protocol in 2000 and 3000 level controllers

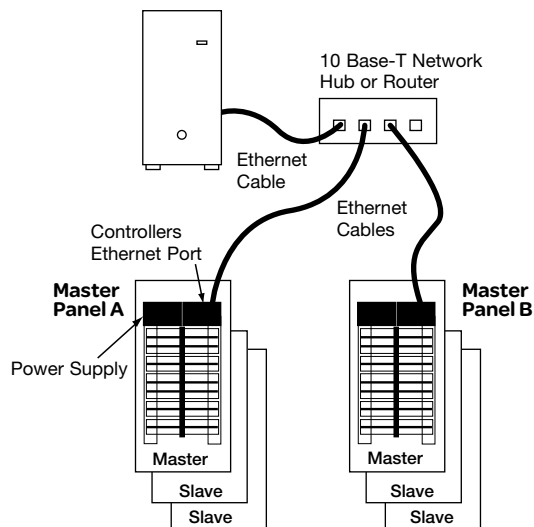


Automation networks provide remote access to the lighting control system over an RS-485 network. An RS-485 network consists of low cost, 2-wire, Class 2 communications cable, Belden 9841 or equivalent.

Ethernet Connectivity

Schneider Electric Powerlink G3 2000 and 3000 level controllers have integrated onboard Ethernet capability. In addition to providing high-speed Ethernet access, these controllers allow fast peer-to-peer (P2P) connectivity between panels. With 2000 and 3000 level systems, master panels can share inputs, schedules, and zone status.

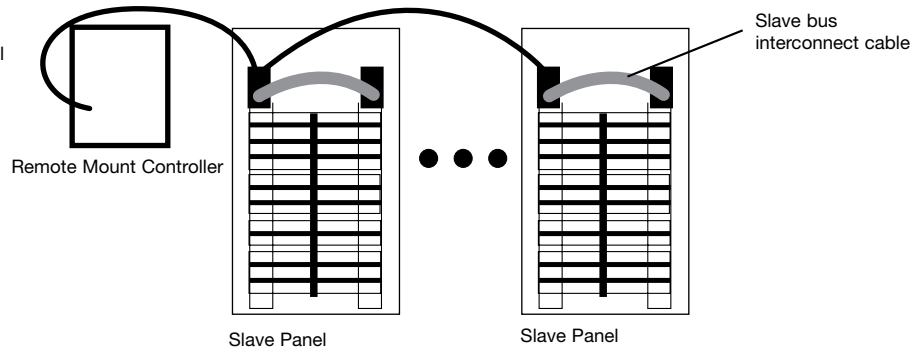
- BACnet IP open protocol in 2000 and 3000 level controllers
- Modbus TCP/IP open protocol in 2000 and 3000 level controllers



Powerlink

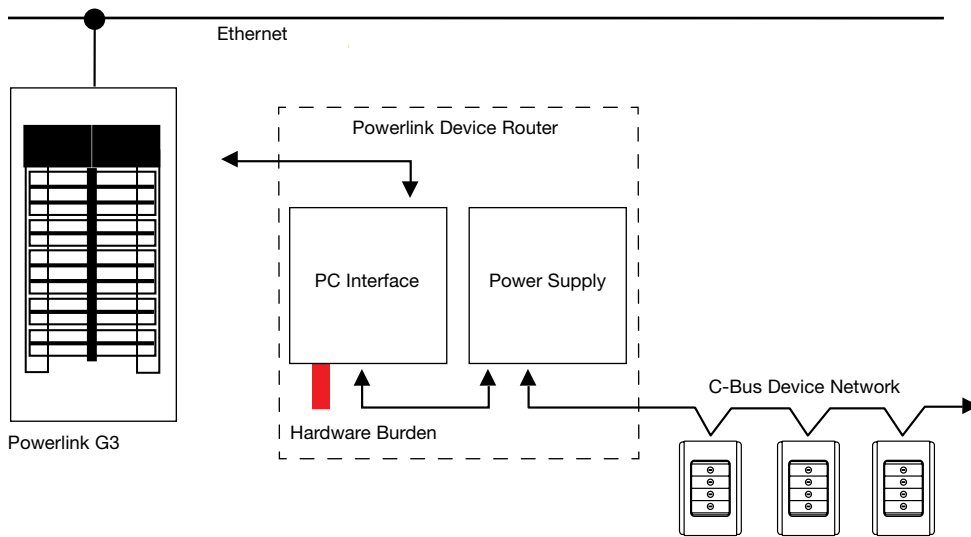
Remote Mount Controller

4-wire, 18 AWG, Class 1 cable, subnet cable (general cable 236100, Belden Cable 27326 or equivalent) Controller



C-Bus Network

Below is a typical one-line diagram for creating a local area network using the C-Bus Network capability of level 3000G3C controllers. All cables shown below are CAT-5.



C-Bus Lighting Control





C-Bus Lighting Control

The availability of low-cost, powerful microprocessors for building control and management systems has created unprecedented customer expectations for increased control, connectivity and integration of electrical and low-voltage systems.

- **Lower installation cost**

With its unique distributed control system, you can place relays and dimmers in various locations and connect them directly to the network – eliminating the need to run cable back to a separate enclosure near centrally located processors.

- **C-Bus keypads**

These aesthetically pleasing faceplates lend a sophisticated look to virtually any space. They're as elegant as they are well-engineered.

- **Simple cabling/any topology**

Since the C-Bus system uses standard Cat-5 cabling, using any topology, there's no special cable to order or keep in supply. So it's much easier to address last-minute change orders or to complete a job without wondering if you have the right materials on hand.

- **Fully-scalable solution**

Whether you're creating a lighting control system for a single room or a whole facility, Schnieder Electric lighting control offers scalable systems to fit your exact needs. Our C-Bus solutions are designed around the size and requirements of your application. All this with a common platform and easy installation practices. Talk about flexibility.

- **C-Bus touch screens**

Our unified wall-mounted panels allow you to control lighting systems and accessories with the touch of a finger. Designed with versatility in mind, these sleek touch screens are easy to install, customize and use. They're compact yet powerful. Simple to operate yet highly flexible. A desktop model is available when wall space is limited or for added convenience.

Saturn Keypads

The C-Bus Saturn™ Keypads offer localized finger-tip control of lighting and electrical services. These elegant keypads incorporate a unique glass cover plate that is easy to install, customize, and use.

By virtue of the variety of button configurations available, one compact Saturn keypad can take the place of many single operation switches, ON/OFF toggles, dimmers, and timers.

Available in a two-, four-, or six-button keypad, Saturn's modern style is complemented by orange and blue LEDs that can instantly show the status of controlled devices.

Technical Information

Voltage Requirements	15 – 36 Vdc @ 22 mA required for normal operation, drawn from the C-Bus network
Number of Units on a Network	Determined with the C-Bus Calculator, a software utility used to evaluate the total network current load
Electrical Isolation	3.75 kV RMS from C-Bus to power (provided externally)
Control Functions	Load switching, dimming, timing, scene control
Status Indicators	Two-color (orange and blue) user-configurable LEDs
Locator Option	User-configurable, adjustable LED to help locate the unit in darkness, has "ignore first button press" option
Scene Control	Up to four scenes per keypad, ten addresses per scene
Timers	1 sec – 18 hr, 1 sec intervals
Response Time	200 m sec or less
C-Bus Connection	One terminal block to accommodate 24-16 AWG (0.2–1.31 mm ²), CAT 5 UTP cable required
Dimensions	4.57 in. (L) x 2.95 in. (W) x 1.1 in. (D) [116 mm (L) x 75 mm (W) x 28 mm (D)]
Mounting	Plaster mud ring (Raco 8771 or equal) w/ minimum internal width 2.05 in. (52 mm) (not provided) Single gang box (Carlson A58381DCAR or equal) w/minimum internal width 2.05 in. (52 mm) (not provided)
Weight	4.66 oz (132 g)
Operating Environment	Temp.: 32° F to 113° F (0° C to 45° C) RH: 95%, noncondensing
Standards	UL: Listed 916 Energy Management, CSA 22.2 Spec 205 Signal Equipment FCC: Part 15.101, Class B Digital Device, EN61000-4-2 Immunity to ESD
Color Options	Cream, black, mocha, white, pure white and stainless steel

*For Diagram see technical section page 145

Order numbers for the Saturn keypad assemblies indicate the number of buttons desired on the keypad (x) and the color of the cover plate (y). Color Codes: White (WE), Black (BK), Mocha (BR), Cream (CM), Pure White (PW) and Stainless Steel (SS).

For example, SLC5086NLBK represents an order for a Saturn keypad with six buttons and a black cover plate. The order number for a two-button keypad in mocha would be SLC5082NLBR.

Catalog Number	Description
SLC508(X)NL(Y)*	Saturn Keypad Assemblies, 2, 4 or 6 buttons
SLC5080LC8	Pre-labeled button caps (1 ea. of 66 frequently used labels such as: Meeting, Scene 1, etc.)
SLC508(X)NLF(Y)*	Stand-alone faceplates

*When ordering: "x" equals button configuration 2, 4, or 6 and "y" equals color selection WE, BK, BR, CM, SS, PW



Saturn Style 6 Button Keypad

Product Features

- Button configurations include multi-point switching and dimming, master ON/OFF switching, and scene settings
- Scene control includes up to ten group addresses per scene and four scenes per keypad
- Independent timers available for each button
- Dual-color LED windows on each button can glow in cool blue, orange, or combinations of both, indicating when a controlled device is ON or OFF
- Auto "fallback" can dim button LEDs at a set time after the last button press
- Locator LED can illuminate the keypad, helping a user find it in dim light

Functional Aesthetics

- Distinctively designed transparent impact-resistant glass cover plate with silver buttons that can glow blue or orange
- Clean-lined keypads are wall mounted without external fittings
- Low-profile keypad extends only 0.5 in. out from the wall
- Colors are easily modified to suit personal taste or the décor
- Optional button covers with labels, enabling quick identification of lighting scenes or controlled devices

Saturn Dynamic Labeling Technology Keypads

C-Bus Dynamic Labeling Technology™ (DLT) keypads combine programmable keypad buttons, and easily customized labels on a backlit LCD screen that eliminates the need for custom labels.

These keypads are designed to be easy to install, customize, and use. By virtue of the variety of button configurations available, one compact DLT keypad can take the place of many single operation switches, ON/OFF toggles, dimmers, and timers.

Cool blue LEDs light the five keypad buttons, complementing the keypad's sleek lines and instantly showing the status of controlled devices.

Technical Information

Voltage Requirements	15 – 36 Vdc @ 22 mA required for normal operation, drawn from the C-Bus network
Number of Units on a Network	Use the C-Bus Calculator, a software utility, to determine the total network current load
Electrical Isolation	3.75 kV RMS from C-Bus to power (provided externally)
Control Functions	Load switching, dimming, timing, scene control
Status Indicators	Blue, one dimmable LED per button
Backlight	White, dimmable, user configurable
Locator Option	User-configurable, adjustable blue LED for locating the unit in darkness, with "ignore first button press" option
Scene Control	4 scenes per keypad, 10 addresses per scene
Timers	1 sec – 18 hr, 1 second intervals
Screen	64 x 128 pixels LCD
Response Time	200 m sec or less
C-Bus Connection	One terminal block to accommodate 24 – 16 AWG (0.2 – 1.31 mm ²), CAT 5 UTP cable required
Dimensions	4.57 in. (L) x 2.95 in. (W) x 1.20 in. (D) [116 mm (L) x 76 mm (W) x 32 mm (D)]
Mounting	Standard plaster (mud) ring or wall box (not provided), minimum internal width 2.05 in. (52 mm) Centers: 3.31 in. (84 mm)
Weight	3.35 oz (95 g)
Operating Environment	Temp.: 32°F to 113°F (0°C to 45°C) RH: 95%, noncondensing
Standards	UL: Listed 916 Energy Management Equipment CSA 22.2 Spec 205 Signal FCC: Part 15.101, Class B Digital Device EN61000-4-2 Immunity to ESD
Color Plate Colors	Saturn Style: Pure White, White, Cream, Black, Mocha, Stainless Steel

**For Diagram see technical section page 145

Order numbers for the Saturn DLT keypads include the stock number (SLC5085DL) and the code for the color of the cover plate: Black (BK), Mocha (BR), White (WE) and Cream (CM). For example, SLC5085DLBR represents a complete catalog number for a Saturn DLT keypad with a mocha cover plate.

Catalog Number	Description
SLC5085DL()	Saturn Keypad with DLT in White (WE), Cream (CM), Black (BK), Mocha (BR), Pure White (PW) and Stainless Steel (SS)



Saturn Style DLT Keypad

Product Features

- Button configurations include multi-point switching and dimming, master ON/OFF switching, and scene settings
- Keypads have five physical buttons—four control buttons and one scroll/page button—combined with two screens of labels, for a total of eight control buttons and two scroll/page buttons
- Scene control includes ten group addresses per scene, four scenes per keypad
- Independent timers available for each button
- Button LEDs can be used as locator lights in the dark
- Time clock can be displayed at the bottom of the screen
- Displays up to 8 languages from a set of more than 65

Functional Aesthetics

- 64 x 128 pixel LCD screen with a white backlight
- Editable LCD labels, available for each button or control group, can display text, symbols, and graphics
- Dynamic graphic displays, such as bar graphs, can be enabled or disabled
- Bitmaps can be downloaded for each group address or scene

Neo Decorator Keypads

Schneider Electric C-Bus Neo Decorator Style Keypads offer localized finger-tip control of lighting and electrical services. These elegant keypads incorporate a unique cover plate (ordered separately) that is easy to install, customize, and use.

By virtue of the variety of button configurations available, one compact Decorator style keypad can take the place of many single operation switches, ON/OFF toggles, dimmers, and timers.

Available in a one-, two-, three- or four- button keypad, these modern style keypads are complemented by blue LEDs that can instantly show the status of controlled devices.



Neo 4 Button Decorator Style Keypad

Technical Information

Voltage Requirements	15 – 36 Vdc @ 22 mA required for normal operation, drawn from the C-Bus network
Number of Units on a Network	Determined with the C-Bus Calculator, a software utility used to evaluate the total network current load
Electrical Isolation	3.75 kV RMS from C-Bus to power (provided externally)
Control Functions	Load switching, dimming, timing, scene control
Locator Option	User-configurable, adjustable LED to help locate the unit in darkness, has "ignore first button press" option
Scene Control	Up to 4 scenes per keypad, 10 addresses per scene
Timers	1 sec – 18 hr, 1 second intervals
Response Time	200 m sec or less
C-Bus Connection	One terminal block to accommodate 24 – 16 AWG (0.2 – 1.31 mm ²), CAT 5 UTP cable required
Dimensions	4.57 in. (L) x 3.0 in. (W) x .91 in. (D) [116 mm (L) x 76 mm (W) x 23 mm (D)]
Weight	2.9 oz (82 g)
Operating Environment	Temp.: 32° F to 113° F (0° C to 45° C) RH: 95%, noncondensing
Standards	UL: Listed 916 Energy Management Equipment CSA 22.2 Spec 205 Signal FCC: Part 15.101, Class B Digital Device
Color Options	Neo Style: Slate, White, Cream, Brown, Black, Soft Grey, Desert Sand

**For Diagram see technical section page 145

Order numbers for the Neo Decorator keypads include the stock number, the number of buttons (1 thru 4) and the code for the button color: Black (BK), Brown (BR), White (WE), Cream (CM), Slate (GB), Soft Grey (SG), Desert Sand (DS), Ivory (VY) and Light Almond (LA).

For example, SLC505(4)NLM(WE) represents a Neo Decorator style keypad with 4 buttons in white.

Catalog Number	Description
SLC505(X)NLM(Y)*	Neo Decorator Style Keypad

*when ordering: "x" equals button configuration 1, 2, 3, or 4 and "y" equals color selection BK, BR, WE, CM, GB, SG, DS, VY, or LA

Multi-Functional Capabilities

- Button configurations include multi-point switching and dimming, master ON/OFF switching, and scene settings
- Scene control includes up to ten group addresses per scene and four scenes per keypad
- Independent timers available for each button
- LED windows on each button can glow in cool blue or orange, indicating when a controlled device is ON or OFF
- Auto "fallback" can dim button LEDs at a set time after the last button press
- Locator LED can illuminate the keypad, helping a user find it in dim light
- Has infrared remote capabilities with Schneider Electric C-Bus remotes

Color

Spectrum Color Touch Screens

The C-Bus Spectrum Color Touch Screens by Schneider Electric are a unified wall-mounted or desktop panel for controlling lighting systems and accessories with the touch of a finger.

Designed with versatility in mind, these sleek touch screens are easy to install, customize, and use. Compact yet powerful, the touch screen has numerous configurations available, making it an attractive alternative to multiple single operation switches, ON/OFF toggles, dimmers, and timers which can clutter up even the nicest wall. The C-Bus Spectrum Color Touch Screens are available in the Saturn and Neo style cover plates with a wide assortment of colors to choose from.



Wall-mounted Spectrum Touch Screen

Technical Information

AC input impedance	13 K ohms @ 1kHz
Display type	4.7 in. (119 mm) active black and white or color LCD
Display resolution	320 x 240 pixels
Display luminance	120 cd/m ²
Viewing angle	Left, right: 45°; up: 50°; down: 30°
Backlight type	White LED
Touch surface durability	1 million presses (typical)
Maximum number of controlled loads	255 group addresses on each of the 10 applications
Third party interface	RS-232 port
Programming port	USB type B (front of unit, behind cover plate)
C-Bus supply voltage (required for normal operation. Does not provide current to the C-Bus network.)	Spectrum: 15 to 36 Vdc @ 72 mA
Network clock	Software selectable
Network burden	Software selectable
Processor	ARM7TDMI, 40MHz
Warm up time	<10 seconds
Operating temperature	32° F to 113° F (0° C to 45° C)
Operating humidity	10% to 95% RH

*For Diagram see technical section page 146

Spectrum Touch Screen-Wall Mounted Catalog Number	Description
SLC5000CTCL2xx	Spectrum w/non-stylized plastic Cover Plate
SLC5050CTCL2xx	Spectrum w/Neo Style Cover Plate
SLC5080CTCL2xx	Spectrum w/Saturn Style Cover Plate
SLCBS5000CTCL2	Spectrum w/Stainless Steel Cover Plate
SLCBB5000CTCL2	Spectrum w/Brass Cover Plate

Note: xx = color code (GB – Brushed Aluminum and Slate*, WE – White, BK – Black, CM – Cream, BR – Mocha**, PW – Pure White**) *Neo only **Saturn only

Spectrum Desktop Model Catalog Number	Description
SLC5000CTCD2xx	Spectrum Desktop Touch Screen

Note: xx = color code/WE–White, BK–Black

Accessories	Description
SLC5000CT2WB	Wall box for Spectrum Touch Screen
SLC5080CT2Fxx	Replacement Cover Plate, Saturn style
SLC5000CT2FSS	Replacement Cover Plate, Stainless Steel
SLC5050CT2Fxx	Replacement Cover Plate, Neo style

Note: xx = color code (GB – Brushed Aluminum and Slate*, WE – White, BK – Black, CM – Cream, BR – Mocha**, PW – Pure White**) *Neo only **Saturn only

Product Features

- Multiple control screens can include multi-point switching and dimming, master ON/OFF switching, schedules, and scenes from a menu driven interface
- Includes a “wake feature” proximity sensor that turns on the backlight when activated by motion within the proximity range.
- Astronomical clock with full scheduling and holidays
- Full feature logic engine provides ability to create custom controls and integrate 3rd party devices
- Locator option to help users find the screen in dim light
- Built-in infrared receiver with remote control
- RS-232 port for third party device integration
- USB programming port accessible from the front of the unit

Functional Aesthetics

- Clean-lined low-profile touch screen can be wall-mounted without external fittings
- Display and controls can be configured with symbols, images, clocks and time, and text in multiple languages
- Area plans and other scenes can be graphically depicted

Color Touch Screen

The C-Bus Color Touch Screen is a unified panel for controlling lighting systems and accessories with the touch of a finger.

The touch screen's sophisticated appearance reflects the underlying craftsmanship of its design. Among its many capabilities, this powerful PC-based system supports graphical depiction of area plans, monitoring of various C-Bus devices, scheduling of lighting and other loads, finger-tip control of preset scenes, and operation from the touch screen or by remote controller.



Color Touch Screen

Technical Information

Screen	
Type	LCD active matrix
Size	6.4 in. (diagonal)
Resolution	VGA, 640 x 480 pixels
Pixel Pitch	0.01 in. (H) x 0.01 in. (V) [0.204 mm (H) x 0.202 mm (V)]
Viewing Area	5.14 in. (H) x 3.82 in. (V) [130.6 mm (H) x 97.0 mm (V)]
Touch Overlay Type	Resistive membrane
Viewing Angle	Typical horizontal: 70° left and right/Typical vertical: 40° up, 70° down
Luminance	300 cd/m ²
Backlight	Cold cathode with light sensor for automatic backlight level control
Memory	256 MB compact Flash memory, pre-programmed with panel firmware, Backup: Lithium battery retains current date and time for 5 years.
Components and Connectors	
Front	Ethernet 10/100/RJ-45 terminal (hidden), Speaker (hidden), Infrared receiver, RS-232 via DB 9 terminal
Rear	C-Bus RJ-45 terminals (2) • Ethernet 10/100/RJ-45 terminal Composite video output via RCA terminal (75 ohm) • RS-232 via DB 9 terminal USB type A terminals (2) for future software support Remote infrared (IR) terminal (hardwired via a 3.5 mm mini-jack) External speaker/headphone terminal (3.5 mm mini-jack)
Overall Dimensions	9.8 in. (W) x 6.9 in. (H) x 2.9 in. (D) [246 mm (W) x 173 mm (H) x 72.5 mm (D)]
Weight	3.02 lbs. (1375 g) (excluding cover plate)
Operating Environment	Temp.: 50° F to 86° F (10° C to 30° C)/RH: 95% noncondensing
Standards	UL Listed 916 Energy Management Equipment CSA 22.2 Spec. 205 Signal Equipment, FCC: Part 15.101, Class B Digital Device • EN61000-4-2 Immunity to ESD
Required Accessories: Power Supply (Sold Separately)	
Power Supply	6.9 in. (L) x 3.1 in. (W) x 1.8 in. (H)
Dimensions	175 mm (L) x 80 mm (W) x 45 mm (H)
Adaptor Box	5.2 in. (L) x 2 in. (W) x .4 in. (H)
Dimensions	113 mm (L) x 50 mm (W) x 11 mm (H)
Weight	4.2 lb (1.925 kg)
Standards	UL: Listed 60950 Information Technology Equipment - Safety: General Requirements • CSA 22.2 Spec. 205 Signal Equipment FCC: Part 15.101, Class B Digital Device • EN61000-4-2 Immunity to ESD



Power supply for color touch screen (sold separately)

Product Features

- Ability to configure controls including scenes, schedules, state changes and graphic animation
- Ability to customize buttons, sliders, photos and drawings
- Audio tools support use of custom WAV files for audible feedback and voice prompts
- Internal amplified speaker has volume control and external speaker terminal
- Built-in RJ-45 Ethernet and C-Bus network, RS-232, and USB terminals
- Infrared receiver for remote control and infrared input for accessories
- Controls can be password protected at multiple levels
- Astronomical and real time clocks

Functional Aesthetics

- Touch sensitive 6.4 inch (640 x 480) color LCD panel
- Light sensor for automatic backlight control
- Flush wall-mount design
- Cover plates available in Neo and Saturn styles
- Five color schemes available, complementing any décor

*For Diagram see technical section page 146

Order numbers for the Neo and Saturn style touch screens include the stock number, and the code for the cover color. Saturn Colors: Black (BK), Mocha (BR), White (WE), Cream (CM) and Pure White (PW). Neo Colors: Brushed Aluminum and Slate (GB), White (WE) and Black (BK). For example, SLC5050CTC(WE) represents a Neo Style Touch Screen in white.

Catalog Number	Description
SLC5080CTC2()	Saturn Style Touch Screen

Accessories	Description
SLC5000CTCPS*	Color Touch Screen Power Supply
SLC5000CTCWB**	Color Touch Screen Wall Box
SLC5000CTCNA**	Color Touch Screen Wall Nail Bracket
SLC5000CTCRM**	Color Touch Screen Wall Plaster Board Bracket

* Required for every color touch screen installation.

** Color touch screen must be mounted with one of these options

Wiser

Home Controller

The Wiser™ Home Controller is the missing piece of the smart home puzzle, enhancing the capabilities and connectivity of the C-Bus network. Its easy-to-use graphical user interface (GUI) provides access to the home C-Bus network and all of your electrical, multimedia, and telecommunication needs. This same GUI can be installed across multiple control devices, such as mobile phones, TVs with Microsoft® Windows Media® Center, personal computers, and web tablets, in addition to the C-Bus range of touch screens and keypads. No matter where you are, the Wiser Home Controller allows you to monitor and control your home environment locally or remotely over the Internet.



Wiser Home Controller

Technical Information

Power Source	<ul style="list-style-type: none"> • Home Controller's router: AC power pack • Inline C-Bus Network Interface: <ul style="list-style-type: none"> » AC power pack through busbar for Ethernet » C-Bus side is powered by the C-Bus network
Mounting location	<ul style="list-style-type: none"> • Wall mounted with two keyhole openings • Must be installed indoors
Minimum distance to operator	7.9 in. (20 cm) from nearest antenna
Mounting screw spacing	3.8 in. (95.5 mm) between centres
Operating ambient temperature	32° F – 113° F (0° C – 45° C)
Operating relative humidity	10% to 90%, non-condensing
Types of electrical connection (Suitable for copper or aluminium conductors)	<ul style="list-style-type: none"> • Disconnectable DC power supply jack on the busbar - 0.04 x 0.12 in. (1 x 3 mm) center positive • Disconnectable WAN connector on busbar – 1 x RJ-45 plug • Disconnectable LAN connectors on router – 3 x RJ-45 plug • Fixed aux (C-Bus) terminal for 2 x 2.5 mm; for twisted pairs; with strain relief post
Ethernet WAN protocol	TCP/IP
Recommended Internet browsers	Microsoft® Internet Explorer® or Mozilla® Firefox®

*For Diagram see technical section page 147

Catalog Number	Description
WHC5918	Wiser Home Controller

Product Features

- Ethernet and Wi-Fi based controller for your C-Bus system
- Built-in Ethernet router
- Built-in Wi-Fi access point
- Support for lighting, air-conditioning, multi-room audio, alarms, cameras, and other equipment
- Easy to understand wizard-based user interface graphics
- Built-in scene, scheduling, and logic programming modules
- Allows remote reprogramming from outside the home/building by installers
- Common, intuitive interface for all devices
- Operates using C-Bus TAG descriptions, Locations, and Function Groups
- Configured and commissioned using C-Bus Toolkit and PICED software
- Control via your mobile phone or other web-enabled devices
- Displays up-to-the-minute news, weather, and more

C-Bus

Ethernet Network Interface

The Schneider Electric C-Bus Ethernet Network Interface unit is a C-Bus system support device designed to provide an isolated communications path between an Ethernet Network and a C-Bus Network.

The following functions can be achieved through this interface: programming C-Bus Units, issuing commands to a C-Bus Network including scheduled activities as well as monitoring and data logging of activities on a C-Bus Network.

The C-Bus Ethernet Network Interface may also generate the system clock for communications data synchronization on the C-Bus Network and provide a software selectable Network Burden.



Ethernet Network Interface

Technical Information

C-Bus Voltage Requirements	15 – 36 Vdc
Supply Current	12 Vac or dc @ 300 mA
C-Bus Input Voltage	15 to 36 Vdc
External Power Supply (provided)	12 Vdc @ 500 mA
Electrical Isolation	500 V RMS continuous C-Bus/RS-232
Status Indicators	Ethernet LED/Comms LED
C-Bus System Clock	Software selectable
C-Bus Network Burden	Software selectable
Ethernet Connection	RJ-45 socket for connection to Ethernet
Dimensions	3.35 in. (H) x 2.83 in. (W) x 2.56 in. (D) [85 mm (H) x 72 mm (W) x 65 mm (D)]
Weight	4.59 oz (130 g)
Operating	Temp.: 32° F to 113° F (0° C to 45° C)
Environment	RH: 95%, noncondensing
Storage Environment	Temp.: 14° F to 140° F (-10° C to 60° C), RH: 95%, noncondensing
Standards	UL: Listed 916 Energy Management Equipment CSA 22.2 Spec 205 Signal Equipment

*For Diagram see technical section page 147

Product Features

- Programming C-Bus Units
- Issuing commands to a C-Bus Network, including scheduled activities
- Monitoring and Data Logging of activities on a C-Bus Network
- Software selectable C-Bus System Clock

Catalog Number	Description
SLC5500CN2	Ethernet Network Interface

C-Bus

PC Interface/PC Interface USB

The C-Bus PC Interface (PCI) expands options for configuring, controlling, and monitoring C-Bus networks by providing an interface between the network and a personal computer (PC) or other external device.

The C-Bus PCI module easily mounts to a DIN rail and connects to external devices through its built-in connector ports. Power to the unit is provided through the C-Bus network.



PC Interface and PC Interface USB

PC Interface Technical Information

Voltage Requirements	15 – 36 Vdc @ 32 mA required for normal operation, drawn from the C-Bus network
Electrical Isolation	500 V RMS continuous C-Bus/RS-232
Status	Unit/Comms: Unit power and data transmission
Indicators	C-Bus: Power levels and presence of C-Bus clock
Serial	(1) 9-pin RS-232 D-type serial connector
Port	(2) RS-232 RJ-45 connectors
Cable	6.6 ft. (2 m), with DB9 connectors
C-Bus Connection	(2) RJ-45 sockets for connection to a C-Bus network
Dimensions	2.84 in. (H) x 3.35 in. (W) x 2.60 in. (D) [72 mm (H) x 85 mm (W) x 66 mm (D)]
Mounting	DIN rail, 4M wide
Serial Termination	Temp.: 32° F to 113° F (0° C to 45° C), RH: 95%, noncondensing
Storage Environment	Temp.: 14° F to 140° F (-10° C to 60° C), RH: 95%, noncondensing
Standards	UL: Listed 916 Energy Management Equipment, CSA 22.2 Spec 205 Signal Equipment FCC: Part 15.101, Class B Digital Device, EN61000-4-2 Immunity to ESD

*For Diagram see technical section page 147

Catalog Number	Description
SLC5500PC	PC Interface

PC Interface USB Technical Information

C-bus input voltage	15 – 36 Vdc
Current drawn	22 mA
Electrical isolation rating	500 Vrms continuous C-Bus/RS232
Communications	USB Type A to B
Operating temperature	32° F – 113° F (0° C – 45° C)
Operating humidity range	95% RH; non-condensing
Terminals	C-Bus, RJ45 connectors (2), USB to PC
Dimensions	2.84 in. (L) x 3.35 in. (W) x 2.60 in. (D) [72 mm (L) x 85 mm (W) x 66 mm (D)]
Weight	0.23 lbs (104 g)

*For Diagram see technical section page 148

Catalog Number	Description
SLC5500PCU	PC Interface, USB Model

Product Features

- Unit/Comms LED shows the status of the unit's power and of any data transmissions
- C-Bus LED shows the status of the network at the unit, including the level of network power and the presence of the C-Bus clock
- System network clock for synchronizing communications data
- PC Interface: Three RS-232 serial connectors for connecting to a PC or to external devices: (1) 9-pin D-type serial connector (female) and (2) 8-pin RJ-45 connectors.
- USB Model: USB (B-Type) Connector
- Two C-Bus network connector ports: RJ-45 sockets
- Data cable for connecting PCI and personal computer, including DB9 connectors

C-Bus

Network Bridge

The C-Bus Network Bridge provides a communication channel between C-Bus units on separate networks, expanding the total number of units that can be configured, controlled, and monitored.



Network Bridge

Technical Information

Voltage Requirements	15 – 36 Vdc @ 18 mA required for normal operation, drawn from each connected C-Bus network
Electrical Isolation	3.5 kV RMS for 1 min (between networks)
Status	Network A, Network B
Indicators	Power ON, Communications in progress Power OFF, Not connected/insufficient power
Propagation Delay	250 ms (delay for message transfer between two adjacent C-Bus Networks)
Interconnect	In parallel: 51 networks (50 network bridges)
Capacity	In series: 7 networks (6 network bridges)
C-Bus System Clock	Software selectable
C-Bus Network Burden	Software selectable
C-Bus Connection	(2) pair of RJ-45 sockets for connection to C-Bus networks
Dimensions	2.84 in. (H) x 3.35 in. (W) x 2.60 in. (D) [72 mm (H) x 85 mm (W) x 66 mm (D)]
Weight	3.35 oz (95 g)
Operating Environment	Temp.: 32° F to 113° F (0° C to 45° C) RH: 95%, noncondensing
Standards	UL: Listed 916 Energy Management Equipment CSA 22.2 Spec 205 Signal Equipment FCC: Part 15.101, Class B Digital Device EN61000-4-2 Immunity to ESD

*For Diagram see technical section page 148

Product Features

- Increases transmission distances by acting as a repeater station for data transmission
- Expands the total number of C-Bus devices that can operate on the system by isolating devices to individual networks [In parallel: 50 networks (50 network bridges) In series: 7 networks (6 network bridges)]
- Indicates each network's status level
- Stores operating status in non-volatile memory for recovery from a power outage
- Uses built-in connectors to connect to a C-Bus network

Catalog Number	Description
SLC5500NB	Network Bridge

C-Bus

Power Supply

The C-Bus Power Supply is specifically designed to operate with the C-Bus network as a power source for passive C-Bus devices.

The power supply mounts to a DIN rail and connects to the C-Bus network through built-in RJ-45 connectors.

These devices are UL listed as Class 2 power supplies and are suitable for parallel operation. Up to five power supplies can be connected to a single C-Bus network.



Power Supply

Technical Information

Nominal Line Voltage	Operates at 120 or 277 Vac, $\pm 10\%$, with a frequency range from 50 – 60 Hz
Electrical Isolation	3.75 kV RMS from C-Bus to the line
Current Output	350 mA to the C-Bus network
Status Indicators	Unit: Unit power C-Bus: Network voltage level and presence of system clock
Power Supplies per Network	Up to five power supplies on a single C-Bus network
C-Bus Connection	(2) RJ-45 sockets for connection to the C-Bus network
Cable	(1) 15.75 in. (400 mm) patch lead included
Dimensions	3.35 in. (H) x 2.84 in. (W) x 2.60 in. (D) [85 mm (H) x 72 mm (W) x 66 mm (D)]
Mounting	DIN rail, 4M wide
Weight	7 oz (200 g)
Operating Environment	Temp.: 32° F to 104° F (0° C to 40° C) Environment RH: 95%, noncondensing
Storage Environment	Temp.: 14° F to 140° F (-10° C to 60° C) Environment RH: 95%, noncondensing
Standards	UL: Listed 916 Energy Management Equipment CSA 22.2 Spec 205 Signal Equipment FCC: Part 15.101, Class B Digital Device EN61000-4-2 Immunity to ESD

*For Diagram see technical section page 148

Catalog Number	Description
SLC5500TPS	120 Vac Power Supply
SLC5500HPS	277 Vac Power Supply

Product Features

- Available in 120 and 277 Vac models
- Regulating power supply compensates for line voltage and frequency variations, so there is constant output
- Sources up to 350 mA to the C-Bus network
- UL listed to operate in parallel with other C-Bus power supplies, up to five on a single C-Bus network
- Incorporates short circuit and reverse polarity protection
- Indicates the line voltage status with a Unit LED
- Indicates the network status, including the network power and the presence of the C-Bus clock, with a C-Bus LED
- Standard built-in C-Bus network connectors: (2) RJ-45

Powerlink

Device Power Supply

The Powerlink Device Power Supply is used to distribute power on a C-Bus network. Placed at critical points on the network, device power supplies will provide the current necessary for operating a variety of passive Schneider Electric C-Bus devices.

A Powerlink Device Power Supply consists of a C-Bus 8M enclosure containing one or two 4M Power Supplies.



Powerlink Device Power Supply

Technical Information

Nominal Line Voltage	Operates at 120 or 277 Vac, $\pm 10\%$, with a frequency range from 50 – 60 Hz
Maximum Line Current	9.9 mA for 120 V power supply 4.3 mA for 277 V power supply
Electrical Isolation	3.75 kV RMS from C-Bus to the line
Current Output	350 mA (single power supply unit) 700 mA (dual power supply unit)
Dimensions	12.57 in. (L) x 8.88 in. (W) x 3.8 in. (D) [319 mm (L) x 226 mm (W) x 97 mm (D)]
Weight	One power supply: 8.84 lb (4.01 kg) Two power supplies: 9.28 lb (4.21 kg)
Operating Environment	Temp.: 32° F to 113° F (0° C to 45° C) RH: 95%, noncondensing
Standards	UL: Listed 508A Industrial Control Equipment CSA 22.2 Spec 205 Signal Equipment FCC: Part 15.101, Class B Digital Device EN61000-4-2 Immunity to ESD

*For Diagram see technical section page 89

Product Features

- Surface-mount NEMA 1 enclosure with trim assembly
- Unit and C-Bus LEDs indicate the status of the line voltage and the network
- Sources up to 700 mA (dual power supplies) to the C-Bus network
- 120 or 277 Vac models available
- UTP connection jumper included for dual supply

Catalog Number	Description
NFDP1120G3C	120 V Powerlink Single Power Supply
NFDP2120G3C	120 V Powerlink Dual Power Supply
NFDP1277G3C	277 V Powerlink Single Power Supply
NFDP2277G3C	277 V Powerlink Dual Power Supply

Powerlink Device Router

The Powerlink Device Router allows the exchange of data between a Powerlink NF3000G3C controller and Schneider Electric C-Bus devices.

The bidirectional device router can receive data from C-Bus input devices and send the data to the Powerlink panel/network. It can also receive data such as a contact closure from the Powerlink input and send that data to a C-Bus output/network.

The device router consists of a 8M enclosure containing a PC Interface and a Power Supply. Communication between the device router and the NF3000G3C controller is made with the included 50-foot serial cable.



Powerlink Device Router

Technical Information

Nominal Line Voltage	Operates at 120 or 277 Vac, $\pm 10\%$, with a frequency range from 50 – 60 Hz
Maximum Line Current	9.9 mA for 120 V device router 4.3 mA for 277 V device router
Electrical Isolation	3.75 kV RMS from C-Bus to the line
Current Output	350 mA to the C-Bus network
Status Indicators	Unit and Unit/Comms: Line voltage, unit power, and data transmission C-Bus: Power levels and presence of C-Bus clock
Serial Connection	(1) 9-pin RS-232 D-type serial connector (2) RS-232 RJ-45 connectors
C-Bus Connection	(2) RJ-45 sockets for connection to the C-Bus network
Data Cable	50 ft. serial
Dimensions	12.57 in. (L) x 8.88 in. (W) x 3.8 in. (D) [319 mm (L) x 226 mm (W) x 97 mm (D)]
Weight	9.1 lbs (4.13 kg)
Operating Environment	Temp.: 32° F to 113° F (0° C to 45° C) RH: 95%, noncondensing
Standards	UL: Listed 508A Industrial Control Equipment CSA 22.2 Spec 205 Signal Equipment FCC: Part 15.101, Class B Digital Device EN61000-4-2 Immunity to ESD

*For Diagram see technical section page 89

Catalog Number	Description
NFDR120G3C	120 V Powerlink Device Router
NFDR277G3C	277 V Powerlink Device Router

Product Features

- Surface-mount NEMA 1 enclosure with trim assembly
- Unit, Unit/Comms, and C-Bus LEDs indicate the status of data transmission and power to the unit and the network
- System network clock for synchronizing communications data
- Network power source, supplying up to 350 mA
- 120 or 277Vac models available

C-Bus

Pascal Automation Controller

The C-Bus Pascal Automation Controller (PAC) provides extended conditional and real-time event programming to C-Bus systems. The PAC supports a full range of programming commands including conditional logic, flow control, variables and scheduling.

Systems integrators will appreciate the built-in scheduling tools, scene tools, and wizards for creating basic logic programs. Full programming capabilities can be achieved utilizing the free-form script editor based off the PASCAL programming language.

The PAC directly connects to a wired C-Bus system. Programs are downloaded from a personal computer through a USB connection.



Pascal Automation Controller

Technical Information

C-Bus Supply Voltage	15 – 36 Vdc @ 32 mA Drawn from the C-Bus network
RS-232 Supply Voltage	24 Vac @ 20 mA (power source not provided)
Battery Backup Supply Voltage	12 Vdc @ 30 mA (power source not provided)
Connections	2 C-Bus RJ-45 sockets (in parallel), 2 RS-232 RJ-45 sockets, 1 USB type B socket, screw terminals for 12Vdc battery and 24Vac power
C-Bus System Clock	Software selectable
Network Burden	Software selectable
Status Indicators	Unit/Comms, C-Bus, Status and User
Dimensions	2.83 x 3.62 x 2.48 inches (72 x 92 x 63 mm)
Weight	5.29 oz (150 g)
Mounting	DIN 4M wide
Operating Environment	32° F to 113° F (0° C to 45° C) 10% – 95% RH, noncondensing
Standards	CSA 22.2 Spec 205 Signal Equipment

*For Diagram see technical section page 149

Catalog Number	Description
SLC5500PACA	Pascal Automation Controller

Product Features

- Conditional and real-time events programming for C-Bus
- Connects directly to C-Bus network
- Powered from the C-Bus network
- USB port for connection to personal computer
- (2) RS-232 ports for third party device control
- Real time, astronomical and C-Bus system clock included with 24 hour internal capacitor backup and external 12 Vdc battery terminals

Programming capabilities including:

- Conditional logic (if, then, and, or, not, etc.)
- Flow Control (for, repeat, while)
- Variables (integer, real, Boolean, character, string)
- Control and monitoring of group addresses
- Control and monitoring of scenes

C-Bus

General Input Unit

The C-Bus Four-Channel General Input Units are DIN-rail mounted devices that measure TTL digital and real-world analog quantities and generate messages about the measurements to the C-Bus network. By acting as an interface with various external sensors, the general input unit enables integration of the C-Bus network with a variety of system types, such as those for HVAC and for power monitoring.

Configuration options include selectable input types, eight adjustable decision thresholds per channel, definable actions, selectable filtering, broadcast rates, and a separate hysteresis value per channel.



General Input Unit

Technical Information

Nominal Voltage Requirements	15 – 36 volts @18 mA from the C-Bus network
Nominal	120 Vac
Nominal Supply Voltage	16 – 27 Vac/dc, ±10%, 50 – 60 Hz, provided by an external power supply (included)
AC Input Impedance	100 kOhm @ 1 kHz
External Power Supply	24 Vac @ 500 mA
Electrical Isolation	500 V RMS per input
Nominal 24 Vdc Output Voltage	24 Vdc @ 250 mA, ±10% General Input
Digital Sensor Input	TTL, 5 V from external source
Analog Sensor Inputs:	
Voltage Ranges	0 – 1, 0 – 5, 0 – 10, 0 – 20 Vdc
Input Current Ranges	0 – 20 mA DC, 4 – 20 mA DC
Resistance Ranges	0 – 500 ohm, 0 – 1000 ohm, 0 – 3000 ohm, 0 – 10000 ohm
Maximum Input Voltages	-20 V to 60 Vdc
Input Voltage Range Impedance	At least 100 kOhm
Current Sense Impedance	249 ohm
Resistance Range Injection Current	500 µA
Basic Accuracy after Calibration	0.5% of full scale
Maximum Input Frequency	10 Hz
Broadcast Rates	2 – 1024 sec
Number of Units per Network	10
C-Bus Connections	(2) RJ-45 connectors, CAT 5 UTP cable required
Cable	15.75 in. (400 mm) patch lead included
Terminals	Accommodate 16 – 12 AWG cable (2 x 1.31 mm ² or 1 x 3.31 mm ²)
Status Indicators	Unit/Comms: Unit power and data transmission C-Bus: Power levels and presence of C-Bus clock
Dimensions	5.7 in. (L) x 3.4 in. (W) x 2.6 in.(H) [144 mm (L) x 85 mm (W) x 65 mm (H)]
Weight	7 oz (190 g)
Mounting	DIN rail, 8M wide
Operating Environment	32° F to 113° F (0° C to 45° C) RH: 95%, noncondensing
Standards	CSA 22.2 Spec 205 Signal Equipment FCC: Part 15.101, Class B Digital EN61000-4-2 Immunity to ESD UL Listed 916 Energy Management Equipment

*For Diagram see technical section page 149

Product Features

- Measures TTL digital quantities including voltage, current, or resistance from external sensors such as light level, pressure, and temperature
- Four channels of input, each with an adjustable hysteresis value, eight decision thresholds, and a software-selectable input value transformation in the form $y = ax + b$
- Input channels are compatible with a range of third-party sensors
- Look-up table with interpolation
- Capable of threshold switching or broadcasting values onto the network
- Control functions include load switching, dimming, trigger applications, enable control applications, and measurement applications
- Measures input signals up to 10 Hz and has an adjustable input-signal filter to reduce susceptibility to impulse and noise
- Supplies 250 mA to external sensors
- LEDs indicate the status of the network at the unit and the unit's power and data transmissions
- Software-selectable network burden and C-Bus system clock
- Standard built-in C-Bus network connectors: (2) RJ-45
- Non-volatile memory stores operating status for recovery from a power outage
- Includes 120 V/24 Vac power pack

Catalog Number	Description
SLCE5504TGI	4 Channel General Input Unit

C-Bus

Bus Coupler

The C-Bus Bus Couplers are non-isolated input devices that provide an interface between dry-contact mechanical switches and a C-Bus network. The bus coupler increases the versatility of the C-Bus network by facilitating remote access with any dry-contact switch mechanism offered by Schneider Electric and other manufacturers.

A system's flexibility can be further enhanced by using the bus coupler with various other switch types, including reed, pressure, or micro switches.

Available in two- and four-channel models, the bus coupler is small enough to be used in restricted spaces. Configuration options include standard control functions such as ON/OFF, toggle, dimmers, and timers.



Four-Channel Bus Coupler

Technical Information

Nominal Voltage Requirements	15 – 36 Vdc @ 18 mA, drawn from the C-Bus network
Electrical Isolation	None
Voltage Across Input	External Switch Opens: 5 Vdc External Switch Closes: 0 Vdc
Current-Switch Closed	Less than 50 μ A
Distance Between	2-Channel Coupler: Up to 1 ft. (0.3 m) each
Switch and Bus Coupler	4-Channel Coupler: Up to 3 ft. (1 m) each
LED Drive Output	2-Channel Coupler only: 2 mA @ 12 V
Maximum Input Voltages	-20 to 60 Vdc
Number of Units per Network	Use the C-Bus Calculator, a software utility, to determine the total network current load
C-Bus Connections	Two-way removable screw-type terminals accommodating 24 – 16 AWG cable (0.2 – 1.31 mm ²)
Channel Input	Spring-loaded terminal block accommodating
Connections	24 – 12 AWG cable (0.2 – 3.31 mm ²)
Status Indicators	Channel (2 or 4)
Timers	1 sec – 18 hr, 1 sec intervals
Dimensions	2.2 in. (L) x 1.9 in. (W) x 0.7 in. (H) [55 mm (L) x 49 mm (W) x 18 mm (H)]
Weight	1.1 oz (32 g)
Operating Environment	32° F to 113° F (0° C to 45° C) RH: 95%, noncondensing
Standards	UL: Listed 916 Energy Management Equipment CSA 22.2 Spec 205 Signal Equipment FCC: Part 15.101, Class B Digital, EN61000-4-2 Immunity to ESD

*For Diagram see technical section page 149

Product Features

- Provides two or four non-isolated inputs for external voltage-free mechanical switches. Two-channel units feature independent remote LED outputs
- Control options include ON/OFF, toggle, dimmer, or timer
- Orange LED for each channel to indicate operational status
- Two-way removable terminal block for the C-Bus connection
- Terminal block allows connection of up to four external switches (four-channel coupler) or two external switches and two external LEDs (two-channel coupler)
- Small size for adaptation to restricted spaces
- Non-volatile memory stores operating status for recovery from a power outage
- Receives data and power over a network, so it does not require power packs or line voltage connections

Catalog Number	Description
SLC5102BCLEDL	Two-Channel Bus Coupler
SLC5104BCL	Four-Channel Bus Coupler

C-Bus

Four-Channel Auxiliary Input

The C-Bus Four-Channel Auxiliary Inputs are isolated four-channel input units that provide an interface between voltage-free mechanical switches and a C-Bus network.

An auxiliary unit increases the versatility of the C-Bus network by facilitating remote access with any dry-contact switch mechanism offered by Schneider Electric or other manufacturers.

DIN-rail mounted for quick installation, the auxiliary unit can be configured with standard C-Bus control functions such as remote scene triggering, ON/OFF, toggle, dimmer, or timer.



Four-Channel Auxiliary Input Unit

Technical Information

Nominal Voltage Requirements	15 – 36 Vdc @ 18 mA, drawn from the C-Bus network
Electrical Isolation	C-Bus/Remote Input: 500 V RMS Remote Input: 500 V RMS
Voltage Across Input	External Switch Opens: 5 Vdc External Switch Closes: 0 Vdc
Current-Switch Closed	0.4 mA
Switch Resistance	Up to 1000 ohm, including cable resistance (26.5 ohms per km resistance for #18 copper wire coated DC current resistance)
Number of Units per Network	Use the C-Bus Calculator, a software utility, to determine the total network current load
C-Bus Connections	(2) RJ-45 connectors, CAT 5 UTP cable required
Cable	15.75 in. (400 mm) patch lead included
Terminals	Accommodate one 12 or two 14-22 AWG cables (1 x 3.1 mm ² or 2 x 2.0-0.3 mm ²)
Status Indicators	Channel: (4) orange LEDs to indicate the load status for each channel
Timers	1 sec – 18 hr, 1 sec intervals
Dimensions	3.4 in. (L) x 2.8 in. (W) x 2.6 in. (H) [85 mm (L) x 72 mm (W) x 65 mm (H)]
Weight	4.6 oz (130 g)
Mounting	DIN rail, 4M wide
Operating Environment	32° F to 113° F (0° C to 45° C) RH: 95%, noncondensing
Standards	UL: Listed 916 Energy Management Equipment CSA 22.2 Spec 205 Signal Equipment FCC: Part 15.101, Class B Digital Device EN61000-4-2 Immunity to ESD

*For Diagram see technical section page 150

Product Features

- Provides four isolated inputs for external voltage-free mechanical switches
- Control options include remote scene triggering, ON/OFF, toggle, dimmer, or timer operations
- Orange LEDs indicate operational status, one for each channel
- Standard built-in C-Bus network connectors: (2) RJ-45
- Non-volatile memory stores operating status for recovery from a power outage

Catalog Number	Description
SLCLE5504AUX	4 Channel Auxiliary Input Unit

C-Bus

DIN Fan Controller

The SLC5501RFCP C-Bus DIN Fan Controller unit is a DIN rail mounted C-Bus output device that provides single-button speed control for a single ceiling fan.

The Fan Controller can be installed in a standard C-Bus enclosure, or in an optional enclosure, such as SLC5501FRE plastic enclosure, on a wall or in a ceiling space.

The SLC5501RFCP Fan Controller provides C-Bus control of a ceiling fan for up to three speeds (Low, Medium and High) and off and can be displayed in C-Bus DLT keypads. Control can be included in scenes and schedules. Fan controllers are Master/slave configurable, so multiple fans can be controlled from a single switch using multiple controllers.

The unit is for indoor use only. The fan controller must be mounted in an enclosure that is properly-rated for the application. A qualified person must install the electrical connections.



Technical Information

C-Bus input voltage	15 – 36 Vdc
C-Bus current requirement	18 mA, powered from C-Bus network, does not provide power for the C-Bus network
Maximum units per network	100
Network clock	Software selectable
Network burden	Software selectable when Unit Address is 001
AC input impedance	100 kΩ @ 1 kHz
Warm-up time	10 seconds
Electrical isolation	3.75 kV from C-Bus to mains
Input voltage for fan motor	120 Vac; input circuit must have a suitable circuit breaker
Fan load rating	1.5 A FLA
Motor load rating	1.5 FLA, 9 LRA
Switch duty type (S1)	Continuous duty. Line and neutral are switched. Fan motor and neutral are switched.
Speed control	Three unique fan speeds Low, Med, and Hi and Off.
Connectors	C-Bus: 2 x RJ-45 Fan: 2 x screw type for one 16 AWG (1.5 mm ²) wire Input Power: 2 x screw type for up to two 16 AWG (1.5 mm ²)
Indicators	Unit, C-Bus, 3 x Fan speed
Control	Local override pushbutton, not illuminated
Rated impulse withstand voltage	4 kV
Mounting type	DIN rail, or wall or ceiling space mounting in the optional plastic enclosure; For indoor use only
Weight	Fan Controller Relay Unit: 5.11 oz (145 g) Optional plastic enclosure: 7.76 oz (220 g)
Operating temperature	32° F to 149° F (0° C to 65° C)
Humidity	10% to 95% RH, non condensing

*For Diagram see technical section page 150

Note: There are no user-serviceable parts. The unit draws no power from mains and requires no line connection to operate.

Catalog Number	Description
SLC5501RFCP	C-Bus output unit for controlling a ceiling fan
SLC5501FRE*	Enclosure to accommodate a C-Bus ceiling fan controller output unit

*The SLC5501FRE is optional equipment and not UL certified or rated for plenum use. Use an enclosure that is properly-rated for your application.

C-Bus

Indoor PIR Occupancy Sensor

The C-Bus Indoor PIR Occupancy Sensor provides reliable thermal-radiation-based control of lighting and other C-Bus output devices.

Suitable for wall or ceiling mounting, this sensor offers a continuous detection field of 400 square feet and a 90° field of view. The entire detection field has uniform sensitivity and no dead zones, making it an ideal lighting-control solution for offices, corridors, and conference rooms.

Configuration options include an adjustable light-level sensor that can be set to automatically turn off lights when ambient light levels are sufficient or turn on lights when ambient light levels are insufficient.



Indoor PIR Occupancy Sensor

Technical Information

Nominal Voltage Requirements	15 – 36 Vdc @ 18 mA, drawn from the C-Bus network
Field of View	90°
PIR Detection Field	Typically 400 sq ft. (37 sq m)
Light-Level inhibit Threshold	0.1 footcandle (1 lux) to full sunlight
Timer Delay Range	0 sec – 18 hr, 1 sec interval
Number of Units per Network	Use the C-Bus Calculator, a software utility, to determine the total network current load
C-Bus Connection	Screw-type terminals, input terminals accommodate 24 – 16 AWG cable (0.2 – 1.31 mm ²)
Status Indicators	LED can be configured to turn on when movement is detected
Dimensions	3.9 in. (W) x 2.2 in. (H) [100 mm (W) x 57 mm (H)]
Weight	4.4 oz (125 g)
Mounting	Surface: Ceiling or wall Ht: 8 ft. (2.4 m) above floor
Operating Environment	Indoor 32° F to 122° F (0° C to 50° C)
Standards	UL: Listed 916 Energy Management Equipment CSA 22.2 Spec 205 Signal Equipment FCC: Part 15.101, Class B Digital Device EN61000-4-2 Immunity to ESD

*For Diagram see technical section page 150

Product Features

- Indoor use, wall or ceiling-mounted unit with a 90° field of view and a detection area of 400 square feet
- LED can be configured to indicate motion detection
- Light-level sensor has Sunrise/Sunset settings, clock overrides, and adjustable sensitivity ranging from 0.1 foot candle to full sunlight
- Advanced circuitry to help prevent false triggering, including electrostatic and electromagnetic shields, dual element detectors, pyroelectric ceramic sensors, and an optical band pass filter
- Controls up to four C-Bus group addresses that can be individually scheduled
- Non-volatile memory stores operating status for recovery from a power outage
- Receives data and power over a network, so the sensor does not require power packs or line voltage connections

Catalog Number	Description
SLC5751L	90° Indoor PIR Occupancy Sensor

C-Bus

360° PIR Occupancy Sensor

The C-Bus 360° Indoor PIR Occupancy Sensor combines a passive infrared receiver (PIR) for occupancy sensing and a light-level sensor into a small, highly versatile unit. The multi-sensor's 2.8 inch face diameter makes it unobtrusive and ideally suited for flush mounting on the ceiling.

This sensor has a 360 degree field of view with an effective coverage pattern of more than 800 feet, so it is ideally suited for offices, copier rooms, closets, and restrooms. Multiple sensors can be connected to the same C-Bus network to provide larger coverage patterns.

Configuration options include adjustable time delays for automatic shut-off following a preset time period without detected motion and an adjustable light-level sensor that can be set to automatically turn off lights when ambient light levels are sufficient or turn on lights when ambient light levels are insufficient.



360° PIR Occupancy Sensor

Technical Information

Nominal Voltage Requirements	15 – 36 Vdc @ 18 mA, drawn from the C-Bus network
Field of View	360°
PIR Rated Detection Field	Typically 800 sq ft. (74 sq m) when sensor is mounted 8 ft. (2.4 m) above floor
Light-Level inhibit Threshold	0.1 footcandle (1 lux) to full sunlight
Timer Delay	0 sec to 18 hr
Number of Units per Network	Use the C-Bus Calculator, a software utility, to determine the total network current load
C-Bus Connection	Two removable terminal blocks, requires CAT 5 data cable
Status Indicators	LED can be configured to turn on when movement is detected
Dimensions	4.1 in. (L) x 2.8 in. (W) [103 mm (L) x 72 mm (W)]
Weight	4.4 oz (125 g)
Mounting	Surface: Ceiling Ht: 8 ft. (2.4 m) above floor Max. Ht: 12 ft. (3.7 m) above floor Min. Ceiling Thickness: 0.4 – 0.75 in. (10 – 19.1 mm)
Operating	Indoor only
Environment	32° F to 113° F (0° C to 45° C) RH: 95%, noncondensing
Standards	UL: Listed 916 Energy Management Equipment CSA 22.2 Spec 205 Signal Equipment FCC: Part 15.101, Class B Digital Device EN61000-4-2 Immunity to ESD

*For Diagram see technical section page 151

Product Features

- 360° detection pattern, indoor use
- Effective coverage area is more than 800 square feet when unit is mounted 8 feet above the floor
- Dual element detectors minimize false triggering
- LEDs indicate movement detection and status of the IR receiver, and the light-level sensor
- Can control up to four scenes or group addresses that can be individually scheduled
- Adjustable light-level sensor with Sunrise/Sunset and clock overrides
- Attractive, low profile unit can be flush mounted on ceiling or suspended from wall tiles where it is unobtrusive, with a face diameter of only 2.8 inches
- Non-volatile memory stores operating status for recovery from a power outage
- Receives data and power over a network. No power packs or line voltage connections required

Catalog Number	Description
SLC5753L	360° PIR Occupancy Sensor

C-Bus

360° PIR Multi-Sensor

The C-Bus 360° PIR Multi-Sensor combines a passive infrared receiver (PIR) for occupancy sensing, a light-level sensor, and an infrared remote receiver into a small, highly versatile unit. The sensor's 2.8 inch face diameter makes it unobtrusive and ideally suited for flush mounting on the ceiling.

Configuration options for the occupancy sensor include adjustable time delays for automatic shut-off following a preset time period without detected motion and an adjustable light-level sensor to turn on lights automatically when ambient light levels are low or turn off lights when ambient light levels are sufficient. The built-in IR receiver accepts commands from an optional handheld remote controller, making the sensor ideal for classrooms and conference room areas.



360° PIR Multi-Sensor

Technical Information

Nominal Voltage Requirements	15 – 36 Vdc @ 18 mA, drawn from the C-Bus network
Field of View	360°
PIR Rated Detection Field	Typically 800 sq ft. (74 sq m) when sensor is mounted 8 ft. (2.4 m) above floor
IR Receiver Rated Detection Field	Typically 800 sq ft. (74 sq m) when sensor is mounted 8 ft. (2.4 m) above floor
Light-Level inhibit Threshold	0.1 footcandle (1 lux) to full sunlight
Timer Delay	0 sec to 18 hr
Number of Units per Network	Use the C-Bus Calculator, a software utility, to determine the total network current load
C-Bus Connection	Two removable terminal blocks, requires CAT 5 data cable
Status Indicators	PIR Sensor or IR Receiver (activity) PIR Sensor (enabled/disabled) Light Level Maint. (enabled/disabled)
Dimensions	4.1 in. (L) x 2.8 in. (W) [103 mm (L) x 72 mm (W)]
Weight	4.4 oz (125 g)
Mounting	Surface: Ceiling Ht: 8 ft. (2.4 m) above floor Max. Ht: 12 ft. (3.7 m) above floor Min. Ceiling Thickness: 0.4 – 0.75 in. (10 – 19.1 mm)
Operating Environment	Indoor only 32° F to 113° F (0° C to 45° C) RH: 95%, noncondensing
Standards	UL: Listed 916 Energy Management Equipment CSA 22.2 Spec 205 Signal Equipment FCC: Part 15.101, Class B Digital Device EN61000-4-2 Immunity to ESD

*For Diagram see technical section page 151

Product Features

- 360° detection pattern, indoor use
- Effective detection area of occupancy sensor is more than 800 square feet when unit is mounted 8 feet above the floor. Effective IR coverage is 800 square feet.
- Dual element detectors minimize false triggering
- LEDs indicate movement detection and status of the IR receiver, the occupancy sensor, and the light-level sensor
- Can control up to eight C-Bus scenes or directly control up to eight C-Bus group addresses that can be individually scheduled
- Adjustable light-level sensor has Sunrise/Sunset and clock overrides
- Attractive, low profile unit can be flush mounted on ceiling or suspended from wall tiles where it is unobtrusive, with a face diameter of only 2.8 inches
- Optional handheld remote controller (SLC5084TX, SLC5088TX)
- Non-volatile memory stores operating status for recovery from a power outage
- Receives data and power over a network, so the sensor does not require power packs or line voltage connections

Catalog Number	Description
SLC5753PEIRL	360° PIR Multi-Sensor

Accessories	Description
SLC5084TX	IR 4-Button Remote Controller (ordered separately)
SLC5088TX	IR 8-Button Remote Controller (ordered separately)

C-Bus

Outdoor Motion Sensor

The C-Bus Outdoor PIR Motion Sensor combines reliable thermal-radiation-based control of lighting with rugged construction suitable for outdoor requirements. The unit's advanced circuits and flat multi-segmented lens provide coverage of up to 3000 square feet in a 110° field of view.

The detection area incorporates a multi-faceted lens, which ensures fast response to motion and few dead zones. Electrostatic and electromagnetic shields, dual element detectors, an optical bandpass filter, and pyroelectric ceramic sensors are used to reduce the incidence of false triggering.

Configuration options include an adjustable light-level sensor that can be set to automatically turn off lights when ambient light levels are sufficient or turn on lights when ambient light levels are insufficient.



Outdoor PIR Motion Sensor

Technical Information

Nominal Voltage Requirements	15 – 36 Vdc @ 18 mA, drawn from the C-Bus network
Field of View	110°
PIR Detection Field	Typically 3000 sq ft. (279 sq m)
Light-Level inhibit Threshold	0.1 footcandle (1 lux) to full sunlight
Number of Detection Zones	18 Long Range, 16 Intermediate Range, 10 Short Range, 4 ultra Short
Timer Delay Range	0 sec to 18 hr
Number of Units per Network	Use the C-Bus Calculator, a software utility, to determine the total network current load
C-Bus Connection	One terminal block
Status Indicators	LED can be configured to turn on when movement is detected
Dimensions	4.5 in. (L) x 2.9 in. (W) x 5.5 in. (D) [114 mm (L) x 74 mm (W) x 140 mm (D)]
Weight	8 oz (227 g)
Mounting	Standard plate/box with 3.3 in. (84 mm) mounting centers Surface: Ceiling or wall Ht: 8 ft. (2.4 m) above floor
Operating Environment	Outdoor only 32° F to +122° F (0° C to +50° C)
Standards	UL: Listed 916 Energy Management Equipment CSA 22.2 Spec 205 Signal Equipment FCC: Part 15.101, Class B Digital Device EN61000-4-2 Immunity to ESD

*For Diagram see technical section page 151

Product Features

- Outdoor use, wall or ceiling-mounted unit with a 110° field of view and a detection area up to 3000 square feet in diameter
- Lens has 12 overlapping zones on each of 4 levels, forming a continuous detection field
- Rugged construction and pre-wired flexible cord
- LED indicates motion detection
- Light-level sensor has Sunrise/Sunset settings, clock overrides, and adjustable sensitivity ranging from 0.1 footcandle to full sunlight
- Controls up to four C-Bus group addresses that can be individually scheduled
- Non-volatile memory stores operating status for recovery from a power outage
- Receives data and power over a network, so the sensor does not require power packs or line voltage connections

Catalog Number	Description
SLC5750WPL	110° Outdoor PIR Motion Sensor

C-Bus

Light-Level Sensor

The C-Bus Light-Level Sensor measures ambient light levels and automatically issues ON, OFF, or ramp commands over a C-Bus network. The light-level sensor can control relays, dimmers, or remotely operated circuit breakers, changing their status according to pre-set ambient lighting levels.

The C-Bus light-level sensor has a dynamic range between 5-150 footcandles, and compensates for noise and rapid light intensity fluctuations by using filtering and hysteresis.

The light-level sensor can control up to two C-Bus group addresses: one address controls the switching ON/OFF of a lamp circuit according to the amount of ambient light, while the other is used to continuously regulate the light-level output of any number of lamps.



Light Level Sensor

Technical Information

Nominal Voltage Requirements	15 – 36 Vdc @ 18 mA, drawn from the C-Bus network
Light Level	Reads: 2 – 278 footcandles (20 – 3000 lux) Controls: 5 – 148 footcandles (40 – 1600 lux)
Field of View	180°
C-Bus Connection	Accommodates 6 x 24 AWG cable (6 x 0.2 mm ²)
Status Indicators	Can be configured to report state of any one of three group addresses: Enabled, ON/OFF, or Ramp
Dimensions	4.57 in. (L) x 2.99 in. (W) x 1.93 in. (D) [116 mm (L) x 76 mm (W) x 49 mm (D)]
Weight	3 oz (85 g)
Operating	Indoor only
Environment	32° F to 122° F (0° C to 50° C) RH: 95%, noncondensing
Standards	UL: Listed 916 Energy Management Equipment CSA 22.2 Spec 205 Signal Equipment FCC: Part 15.101, Class B Digital Device EN61000-4-2 Immunity to ESD

*For Diagram see technical section page 151

Catalog Number	Description
SLC5031PE	Light-Level Sensor

Product Features

- Can maintain constant illumination levels of 5-150 footcandles
- Controls up to two C-Bus group addresses, one set for ON/OFF operations and one set for ramping operations
- 180° field of view
- Can be enabled or disabled over the C-Bus network
- Stores operating status in non-volatile memory for recovery from a power outage
- Receives data and power over a single C-Bus twisted pair cable
- Verifies status of input and output devices on same C-Bus application address, updating input status if necessary
- LED can be configured to indicate current status of any C-Bus group address
- Attractive, wall-mounted, low-profile unit

C-Bus

Outdoor Light-Level Sensor

The C-Bus light-level sensor measures ambient light levels and automatically issues ON/OFF or ramp commands over a C-Bus network to maintain outdoor lighting levels. Primarily designed for outdoor use, this light-level sensor is also suitable for indoor settings in which a water resistant casing is desirable.

Technical Information

Nominal Voltage Requirements	15 – 36 Vdc @ 18 mA, drawn from the C-Bus network
Field of View	180°
Light-Level Range	Reads: 2 – 278 footcandles (20 – 3000 lux) Controls: 5 – 148 footcandles (40 – 1600 lux)
C-Bus Connection	Screw-type input terminals accommodate 6 x 24 AWG cable (6 x 0.2 mm ²) Connection requires CAT 5 data cable
Max. Units/Network	Based on the total network current load and available power
Conduit Openings	Sized for 20 mm and 25 mm conduit fittings
Dimensions	4 in. (L) x 4 in. (W) x 2.5 in. (D) [102 mm (L) x 102 mm (W) x 65 mm (D)]
Weight	10.8 oz (305 g)
Mounting	Indoor or outdoor, wall or ceiling Indoor Height: At least 6.5 ft. (1.9 m) above floor
Operating Environment	Outdoor or indoor -22° F to 122° F (-30° C to 50° C) RH: 95%, noncondensing
Standards	FCC: Part 15.101, Class B Digital Device

*For Diagram see technical section page 152



Outdoor Light Level Sensor

Product Features

- Outdoor use, wall- and ceiling-mounted low-profile unit
- Can maintain a constant illumination level of 5 – 150 footcandles
- Control of up to two C-Bus group addresses
- Sensors receive data and power over a single C-Bus twisted-pair cable, so they do not require power packs or line-voltage connections
- 180° field of view

Catalog Number	Description
SLC5031PEWP	Outdoor Light-Level Sensor

C-Bus

Professional Series Dimmer

The C-Bus Professional Dimmers are designed to control incandescent and compatible low-voltage lighting. These dimmers are ideal for tight space applications where traditional rack mounted assemblies are not practical.

Professional dimmer units are available in 5 A (4 channels), 10 A (two channels), and 20 A (one channel) models. Each channel provides independent dimming and incorporates thermal overload and over-current protection. These dimmer units automatically compensate for voltage and frequency fluctuations and employ advanced phase-control techniques to reduce flicker and increase lamp life.

The aluminum enclosure acts as a heat sink and is designed for easy wall mounting, including keyhole mounts and removable terminals for the C-Bus and override connections. An optional terminal box is available for conduit connections. Configuration options include network monitoring of the channel load and network voltages, adjustable delays for dimming levels, and master override.



10A, 2-Channel Professional Dimmer Unit

Technical Information

Nominal Voltage Requirements	C-Bus voltage 15 – 36 Vdc
Nominal Line Supply Voltage and Frequency	110 – 120 Vac, $\pm 10\%$, 50/60 Hz
Useable Output Current	60 mA
Frequency Drift	3 Hz per minute, maximum
Frequency Step Change	0.1 Hz (maximum)
Minimum Load	100 W per channel
Current Sensing	5 – 100% of full-rated load, 5% accuracy
Efficiency	98%
Number of Units per Network	Use the C-Bus Calculator, a software utility, to determine the total network current load
C-Bus Connections	Four-way removable screw terminals, CAT 5 UTP cable required
Load Terminals	Accommodates one #12 or up to two #14 AWG cable [(3.31 mm ² – 1.3 mm ²)]
Auxiliary Contacts	2.5 A @ 120 Vac, normally open, voltage free, resistive
Status Indicators	Channel, Unit and C-Bus
Dimensions	9.45 in. (L) x 7.95 in. (W) x 2.95 in. (H) [240 mm (L) x 202 mm (W) x 75 mm (H)]
Weight	4.85 lb (2.2 kg)
Operating Environment	32° F to 113° F (0° C to 45° C) RH: 95%, noncondensing
Standards	UL508 Industrial Control Equipment CSA 22.2 Spec 205 Signal Equipment FCC: Part 15.101, Class B Digital Device EN61000-4-2 Immunity to ESD

*For Diagram see technical section page 152

Catalog Number	Description
SLC5104TD5	Professional Dimmer 5 A, 4 Channel, 120 Vac
SLC5102TD10	Professional Dimmer 10 A, 2 Channel, 120 Vac
SLC5101TD20	Professional Dimmer 20 A, 1 Channel 120 Vac

Accessories	Description
SLCU5100TB	Terminal Box

Product Features

- Suitable for use with resistive and inductive loads and low-voltage lamps utilizing iron core or electronic transformers
- Quick-mounting design, including keyhole mounts, front and rear cable access, and removable terminals for C-Bus connections
- Specialized dimming modes—soft turn on/off and linearized brightness control
- Built-in power supply sources 60 mA to the C-Bus network
- Compensates for fluctuations in frequency and voltage of power source
- Monitors load current by channel
- Integral thermal overload protection on each channel
- Individual channels can be turned On/Off at the unit or via C-Bus commands
- LEDs indicate the status of the network at the unit and the status of the unit's load and power
- Optional terminal box for connecting conduit
- Non-volatile memory stores operating status for recovery from a power outage

C-Bus

Phase Angle Dimmers

The C-Bus Phase Angle Dimmers are C-Bus controlled output units suitable for incandescent and compatible low-voltage lighting. These units are designed to be rack mounted in suitable DIN style enclosures.

Each of the unit's channels can independently control loads to create dynamic lighting scenes. These dimmer units automatically compensate for voltage and frequency fluctuations and employ advanced phase-control techniques to reduce flicker and increase lamp life.



Phase Angle Dimmer Unit with Power Supply

Technical Information

Nominal Voltage Requirements	15 – 36 Vdc @ 18 mA from the C-Bus network when there is no external power source
Nominal Line Supply Voltage and Frequency	110 – 120 Vac, ±10%, 50 – 60 Hz
C-Bus Source Current	200 mA (Models: SLC5508TD2A, SLC5504TD4A)
Load Rating per Channel	2 A (SLC5508TD2A), 4 A (SLC5504TD4A)
Minimum Load	15 W per channel
Efficiency	98%
Number of Units per Network	Use the C-Bus Calculator, a software utility, to determine the total network current load
C-Bus Connections	(2) RJ-45 connectors, CAT 5 UTP cable required
Cable	15.75 in. (400 mm) patch lead included
Remote Override Connection	RJ-45 connector
Power Terminals	Accommodate 16 – 12 AWG cable
Load Terminals	2 x #14 – 16 gauge or 1 x #12 gauge
Status Indicators	Channel: (1) per channel Unit (1): Unit power C-Bus (1): Power levels and presence of C-Bus clock
Dimensions	8.5 in. (L) x 3.6 in. (W) x 2.5 in. (H) [216 mm (L) x 92 mm (W) x 63 mm (H)]
Weight	23 oz (647 g)
Mounting	DIN rail, 12M wide
Operating Environment	32° F to 113° F (0° C to 45° C) RH: 95%, noncondensing
Standards	UL508 Industrial Control Equipment CSA 22.2 Spec 205 Signal Equipment FCC: Part 15.101, Class B Digital Device EN61000-4-2 Immunity to ESD

*For Diagram see technical section page 153

Product Features

- Suitable for use with incandescent lamps and low-voltage lamps utilizing iron core or electronic transformers
- Specialized dimming modes — soft turn On/Off and linearized brightness control
- Can supply up to 200 mA to the C-Bus network (models SLC5504TD4A and SLC5508TD2A with built-in power supply)
- Integral thermal overload protection on each channel
- Individual channels can be turned ON/OFF at unit or via C-Bus commands
- LEDs indicate the status of the network at the unit, the status of the unit's load and power, and the status of each channel
- Non-volatile memory stores operating status for recovery from a power outage

Catalog Number	Description
SLC5504TD4A	Four-Channel 4 A Dimmer, with power supply
SLC5504TD4AP	Four-Channel 4 A Dimmer, without power supply
SLC5508TD2A	Eight-Channel 2 A Dimmer, with power supply
SLC5508TD2AP	Eight-Channel 2 A Dimmer, without power supply

C-Bus

2 Channel DALI Gateway

The C-Bus Digital Addressable Lighting Interface (DALI) Gateway provides an isolated two-way communications path between a C-Bus network and two DALI networks, making it possible to use the C-Bus network to control and monitor DALI ballasts.

The DALI gateway constantly monitors both DALI networks and can detect and report faulty lamps in fluorescent ballasts or non-functional DALI ballasts.

Technical Information

Nominal Voltage Requirements	15 – 36 Vdc @ 32 mA, drawn from the C-Bus network
Electrical Isolation	3.75 kV RMS, from interface to C-Bus network
Number of Units per Network	Use the C-Bus Calculator, a software utility, to determine the total network current load
C-Bus Connections	Built-in RJ-45 sockets (2) for connection to the C-Bus network
DALI Connections	Two screw-type terminal blocks accommodating 16 – 12 AWG cable (2 x 1.31 mm ² or 1 x 2.5 mm ²)
Cable	(1) 15.75 in. (400 mm) patch lead included
Status Indicators	Unit/Comms: Unit power and data transmission C-Bus: Power levels and presence of C-Bus clock
Dimensions	3.4 in. (L) x 2.8 in. (W) x 2.6 in. (H) [85 mm (L) x 72 mm (W) x 65 mm (H)]
Weight	4.6 oz (130 g)
Mounting	DIN rail, 4M wide
Operating Environment	32° F to 113° F (0 ° C to 45 ° C) RH: 95%, noncondensing
Standards	UL: Listed 916 Energy Management Equipment CSA 22.2 Spec 205 Signal Equipment FCC: Part 15.101, Class B Digital Device EN61000-4-2 Immunity to ESD

*For Diagram see technical section page 153

Catalog Number	Description
SLC5502DAL	Two-Channel DALI Gateway



DALI Gateway

Product Features

- Provides two-way communications between C-Bus and DALI networks, routing selected messages from one to the other
- Unit is transparent and invisible to DALI ballasts
- Pre-programmed C-Bus to DALI and DALI to C-Bus addressing structure
- Unit/Comms and C-Bus LEDs show the status of data transmissions, the unit's power, the C-Bus network's power, and the presence of the C-Bus clock
- Software-selectable network burden and network clock
- Standard built-in C-Bus network connectors: (2) RJ-45
- Non-volatile memory to store operating status for recovery from a power outage
- Receives data and power over the network, so the unit does not require power packs or line-voltage connections

C-Bus

DMX Gateway

The C-Bus to DMX One Way Gateway converts up to twelve received lighting group address/levels to DMX-512-A data, and then transmits the data to a connected DMX-512-A network.

Using the DMX Gateway, C-Bus can control the following DMX-512-A based devices:

- LED lighting controllers that include control inputs for dimming and color mixing
- Strobes
- Fiber optic lighting
- Fog machines
- Animated characters
- Motorized fixtures



DMX Gateway (SLC5500DMX)

Technical Information

DMX protocol	DMX 512-A
Maximum length of DMX cable in network	1493 ft. (455 meters)
Maximum number of units on a C-Bus network	30
C-Bus input power	15 – 36 Vdc, 65 mA, class 2
DMX output	6.4 Vpp, 12mA, class 2
C-Bus AC input impedance	40 kΩ at 1 kHz
Electrical isolation	2500 V between C-Bus and DMX
Mounting type	DIN rail, 4M wide
Connectors	2 RJ-45 for C-Bus network 1 Screw terminal block for DMX** 1 XLR 5-pin female panel connector on the DMX cable assembly
Weight	0.27lbs (121 grams)
Operating temperature	32° F to 113° F (0° C to 45° C)
Humidity	10% to 95% non condensing

*For Diagram see technical section page 153

**Do not connect the DMX Gateway between other devices. The DMX Gateway must be at the Position 1 on the DMX network. Use a daisy-chain configuration.

Product Features

- Enables one way communication between C-Bus and DMX-512-A networks
- Custom-configurable address mapping. (One C-Bus address can control multiple DMX 512 slots)
- Draws power from the C-Bus network
- LEDs display the status of the power, communications, and the C-Bus network
- Remote Override (ON and OFF) options
- Software-selectable network burden and network clock
- Two standard built-in C-Bus RJ-45 network connectors
- Non-volatile memory protects unit against power outages
- Configured by using the C-Bus Toolkit software

Catalog Number	Description	Quantity
5500DMX	C-Bus to DMX One Way Gateway	1

C-Bus

4 Channel 0 – 10V Dimmer

The C-Bus 4 Channel 0-10V Dimmer provides four channels of analog 0-10Vdc that can be used as the control signals for various peripheral devices, including certain LED drivers and electronically dimmable fluorescent lighting ballasts.

This analog output unit can sink or source current as appropriate for the connected load, and produces 0 – 10 V in response to commands from the C-Bus network.

Each channel can be individually adjusted from 0 to 100% at the unit, by C-Bus commands or remotely, and each can drive multiple loads.



4 channel 0-10V Fluorescent Ballast Dimmer

Technical Information

Power Requirements	C-Bus: 15 – 36 Vdc @ 22 mA required for normal operation. Power: 120 V or 277 Vac connection, 10 W
Number of Units per Network	Use the C-Bus Calculator, a software utility, to determine the total network current load
Electrical Isolation	3.5 kV RMS from C-Bus to the line
Output Voltage Range	0 – 10 Vdc (± 0.5)
Output Rating	Sourcing: 2.5 mA (minimum of 4 kohm) Sinking: 15 mA at $V_{out} = 0$ V 8 mA at $V_{out} = 10$ V [i.e., $I = 15 - (0.7 \times V_{out})$ mA]
Status Indicators	Unit: Unit power C-Bus: Network voltage level and presence of system clock
C-Bus Connection	(2) RJ-45 terminals
Cable	(1) 15.75 in. (400 mm) CAT 5 patch lead with pre-terminated RJ-45 connectors
Output Terminals	Accommodates 2 X 16 AWG or 1 X 12 AWG cable (2 x 1.3 mm ² or 1 x 3.3 mm ²)
Mounting	DIN rail, 4M wide
Dimensions	3.35 in. (L) x 2.83 in. (W) x 2.56 in. (D) [85 mm (L) x 72 mm (W) x 65 mm (D)]
Weight	8.64 oz (245 g)
Operating Environment	32° F to 122° F (0° C to 50° C) RH: 95%, noncondensing
Standards	UL: Listed 916 Energy Management Equipment CSA 22.2 Spec 205 Signal Equipment FCC: Part 15.101, Class B Digital Device EN61000-4-2 Immunity to ESD

*For Diagram see technical section page 154

Product Features

- Produces four independently controllable channels of 0-10 Vdc for controlling dimmable lighting ballasts or other loads
- Each channel can sink or source current and drive multiple loads
- Two RJ-45 connectors facilitate quick connections to the C-Bus network and between similar units
- Unit and C-Bus LEDs show the status of the unit and the network
- Non-volatile memory stores operating status for recovery from a power outage
- 120 or 277 Vac models available

Catalog Number	Description
SLCLE5504TAMP	Analog Output Unit, 0 – 10 V, 120 V
SLCLE5504HAMP	Analog Output Unit, 0 – 10 V, 277 V

C-Bus

10 Amp Relay Unit

The C-Bus Relays are DIN-rail mounted units with twelve independent, voltage free, relay contacts for general switching applications. They are suitable for use with resistive, inductive, incandescent and fluorescent loads.

Each channel is independently configurable and features a zero crossing magnetically latching relay designed for switching the harsh electrical loads associated with today's high efficiency lighting systems. Local toggle buttons are provided on each unit to allow individual channels to be toggled at each unit or via C-Bus network commands. Remote ON and OFF facilities are available, permitting all channels to be turned ON or OFF without C-Bus Network communications.



10 Amp Relay

Technical Information

Nominal Supply Voltage	110 – 120 V (SLC5512TRVF and SLC5512TRVFP) 277 V (SLC5512HRVF and SLC5512HRVFP)
Frequency Range(s)	50 – 60 Hz
C-Bus Supply Voltage	15 – 36 Vdc @ 18 mA required for programming when electrical power source is not connected Sources 200 mA to the C-Bus Network with electrical power source connected (non-power supply versions) 15 – 36 Vdc @ 0 mA is required for programming when electrical power source is connected
Electrical isolation	3.75 kV RMS from C-Bus to power source
Contact Type	Voltage Free, magnetically latched
C-Bus Connections	2 RJ-45 connectors, CAT 5 UTP cable req.
Electrical Terminals	Accommodates (1) #12 or up to (2) #14 – 16 AWG (3.31 mm ² - (2) x 2.08 - 1.31 mm ²)
Status Indicators	C-Bus Indicator Unit Status Indicator Load Indicator
Dimensions	12 Channel — 8.46 x 3.35 x 2.56 inches (215 x 85 x 65 mm)
Weight	12 Channel — 21 oz (600 g) (w/o Power Supply) 28 oz (800 g) (w/Power Supply)
Mounting	DIN rail, 12 Channel — 12M wide
Operating Environment	32° F to 113° F (0° C to 45° C) RH: 95%, noncondensing
Standards	UL: Listed 508 Industrial Control Equipment CSA 22.2 No. 14 Industrial Control Equipment FCC: Part 15, Class B Digital Device EN61000-4-2 Immunity to ESD

Product Features

- Four or twelve independently operating voltage free relay contacts
- Two convenient built-in C-Bus network connectors (RJ-45)
- Units available both with and without a 200 mA power supply
- Non-volatile memory stores operating status for recovery from power outage
- LED Indicators show the status of the network and the unit
- Load Rating
 - » Resistive -10 A
 - » Inductive -10 A
 - » Fluorescent -10 A
 - » Motor -2 A

Catalog Number	Description
SLC5512TRVF	12 Channel, 120 V, 10 A w/power supply
SLC5512TRVFP	12 Channel, 120 V, 10 A w/o power supply
SLC5512HRVF	12 Channel, 277 V, 10 A w/power supply
SLC5512HRVFP	12 Channel, 277 V, 10 A w/o power supply

C-Bus

20 Amp Relay Units

The C-Bus 20 Amp Relays are DIN-rail mounted units with four independent, voltage free, relay contacts. They are suitable for use with resistive, inductive, incandescent and fluorescent loads.

Each channel is independently configurable and features a zero crossing magnetically latching relay designed for switching the harsh electrical loads associated with today's high efficiency lighting systems. Local toggle buttons are provided on each unit to allow individual channels to be toggled at each unit or via C-Bus network commands. Remote ON and OFF facilities are available, permitting all channels to be turned ON or OFF without C-Bus Network communications.



4 Channel 20 A Relay

Technical Information

Nominal Supply Voltage	110 – 120 V (SLC5512TRVF and SLC5512TRVFP) 277 V (SLC5512HRVF and SLC5512HRVFP)
Frequency Range(s)	50 – 60 Hz
C-Bus Supply Voltage	15 – 36 Vdc @ 18 mA required for programming when electrical power source is not connected. Sources 200 mA to the C-Bus Network with electrical power source connected.
Electrical isolation	3.75 kV RMS from C-Bus to power source
Contact Type	Voltage Free, magnetically latched
C-Bus Connections	2 RJ-45 connectors, CAT 5 UTP cable req.
Electrical Terminals	Accommodates (1) #12 or up to (2) #14 – 16 AWG (2 x 1.3 mm ² or 1 x 3.3 mm ²)
Status Indicators	C-Bus Indicator Unit Status Indicator Load Indicator
Dimensions	8.46 x 3.35 x 2.56 inches (215 x 85 x 65 mm)
Weight	20.46 oz (580 g)
Mounting	DIN rail, 12M wide
Operating Environment	32° F to 113° F (0° C to 45° C) RH: 95%, noncondensing
Standards	UL508 Industrial Control Equipment CSA 22.2 Spec 205 Signal Equipment FCC: Part 15.101, Class B Digital Device EN61000-3-2 Low Frequency Emissions

*For Diagram see technical section page 154

Product Features

- Four independently operating voltage free relay contacts
- Two convenient built-in C-Bus network connectors (RJ-45)
- Units available both with and without a 200mA power supply
- Non-volatile memory stores operating status for recovery from power outage
- LED Indicators show the status of the network and the unit
- Remote ON/OFF override capabilities
- Load Rating (4 channel 20 Amp rated relay)
 - » Resistive 20 A
 - » Inductive 20 A
 - » Fluorescent 20 A
 - » Motor 4 A

Catalog Number	Description
SLC5504TRVF20	4 Channel, 120 V, 20 A with power supply
SLC5504TRVF20P	4 Channel, 120 V, 20 A without power supply
SLC5504HRVF20	4 Channel, 277 V, 20 A with power supply
SLC5504HRVF20P	4 Channel, 277 V, 20 A without power supply

C-Bus

Changeover Relay Units

The C-Bus Changeover Relays are DIN-rail mounted devices with four independent, voltage free, changeover relay contacts.

Schneider Electric C-Bus Changeover Relays are designed to operate three-speed motors and two-way motor control devices. Some of their most common applications include operating motorized blinds, shutters, curtains and skylights (open/closed) where they provide a much simpler alternative to traditional and obtrusive relay interlocking systems.



Changeover Relay Unit

Technical Information

Nominal Supply Voltage	110 – 120 V (SLC5504TRVFC and SLC5504TRVFCP) 250 – 277 V (SLC5504HRVFC and SLC5504HRVFCP)
Frequency Range(s)	50 – 60 Hz
C-Bus Supply Voltage	15 – 36 Vdc @ 18 mA required for programming when electrical power source is not connected. Sources 200 mA to the C-Bus Network with electrical power source connected.
Electrical isolation	3.75 kV RMS from C-Bus to power source
Contact Type	Changeover, Non-latching
C-Bus Connections	2 RJ-45 connectors, CAT 5 UTP cable req.
Electrical Terminals	Accommodates (1) #12 or up to (2) #14 – 16 AWG (2 x 1.3 mm ² or 1 x 3.3 mm ²)
Status Indicators	C-Bus Indicator Unit Status Indicator Load Indicator
Dimensions	5.67 x 3.35 x 2.60 inches (144 x 85 x 65 mm)
Weight	13 oz (370 g) (With Power Supply) 17 oz (490 g) (Without Power Supply)
Mounting	DIN rail, 8M wide
Operating Environment	32° F to 113° F (0° C to 45° C) RH: 95%, noncondensing
Standards	UL: Listed 508 Industrial Control Equipment CSA 22.2 No. 14 Industrial Control Equipment FCC: Part 15, Class B Digital Device

*For Diagram see technical section page 154

Product Features

- Four (4) isolated independently operating relay channels
- Two (2) convenient built-in C-Bus network connectors (RJ-45)
- Non-volatile memory stores operating status for recovery from power outage
- LED Indicators show the status of the network and the unit
- Changeover Relays ratings: (120 Vac Max)
- 2 A Exhaust fans (shaded pole induction motors)
- 2 A Ceiling fans (split-phase induction motors)

Catalog Number	Description
SLC5504TRVFC	4 Channel changeover relay unit 120 Vac, with power supply
SLC5504HRVFC	4 Channel changeover relay unit 277 Vac, with power supply

C-Bus

Low Voltage Relay

The C-Bus 8 Channel Low Voltage Relay is used for switching loads such as irrigation solenoids, and LV air conditioning dampers. The Relay may also be used for switching LV pulse signal control loads into third party products.

The C-Bus 8 Channel Low Voltage Relay is a C-Bus output device that controls eight low voltage relay channels. The unit is powered from the C-Bus network and requires no other power source. The unit can be daisy chained or placed at the end of a C-Bus network.



Low Voltage Relay

Technical Information

C-Bus network supply voltage	15 to 36 Vdc @ 32 mA required for programming and operation
Maximum units per C-Bus network	50
C-Bus connections	2 wire, twisted pair
Warm up time	5 seconds
Load rating per relay channel	2 A at 30 Vdc maximum or 30 Vac RMS suitable for resistive and inductive loads
Contact type	Voltage free, SPDT (changeover)
Relay terminal connections	C common, N/O normally open, N/C normally closed
Types of electrical connection	Fixed load terminal for: 1 x 1.0 mm ² wire per tunnel (13 AWG), Fixed aux (C-Bus) connectors for: 2 x 1.5 mm ²
Dimensions (W x H x D)	8.66 x 3.15 x 1.50 in. (220 x 80 x 38 mm)
Weight	11.64 oz (330 g)
Mounting mode	Surface: 4 mounting screw holes and keyhole mount
EMC environment	Environment A
Operating ambient temperature	32° F to 122° F (0° C to 50° C)
Storage temperature	32° F to 140° F (0° C to 60° C)
Operating humidity	10 to 90% non condensing
Standards:	CSA C22.2 No. 205 — Signal Equipment UL916 — Energy Management Equipment, FCC Part 15 — Class B Digital Device for Home or Office Use

*For Diagram see technical section page 155

Product Features

- Software-selectable C-Bus system clock
- Synchronize data communication on the C-Bus network
- Switch Low Voltage Loads
- Control third party products
- 2 Status Indicator Lights

Catalog Number	Description
SLC5108RELVP	8 Channel Low Voltage Relay

Occupancy Controller with C-Bus Connection Option

The Occupancy Controller from Schneider Electric has two lighting control relays, a motion sensor power supply, two auxiliary input switches, two timers (one per relay), and two relay default mode switches associated with each relay. The occupancy controller includes a C-Bus interface allowing for seamless integration into any C-Bus network. The occupancy controller provides a simple all-in-one solution for dimming, on-off operation, and powering of sensors. It operates over a wide range of input voltages (100 – 277 Vac) and is designed for above-ceiling installation. The occupancy controller is ideal for in-room occupancy control applications such as classrooms, open-office space, executive offices and conference rooms. The controller may be configured for C-Bus connectivity or in a standalone operation mode using the standalone jumper.



The 5752PP Series Occupancy Controller

Technical Information

Power supply voltage	100 – 277 Vac
Power supply frequency	50 – 60 Hz
Motion sensor power supply	Power output 280 mA (140 mA per detector connection)
Power supply rating	24 Vdc SELV/Class 2
Nominal C-Bus Voltage Requirements (if connected to C-Bus network)	Draws 15 – 36 Vdc SELV/Class 2 @ 25 mA from the C-Bus network, enabling configuration.
Max units per network	80
C-Bus AC Impedance	80 KΩ @ 1 KHz
Relay rating	Resistive: 16A at 277 Vac, Incandescent/Tungsten: 12A at 277 Vac Fluorescent (UL) Standard ballast: 10 A at 277 Vac (inductive 0.4 – 0.5 pf)
Ballast control power supply (5752PP/2R/2D)	Analog: 1 – 10 Vdc 200 mA, DSI: 0 – 12 Vdc 200 mA, DALI: 0 – 12 Vdc 250 mA
Maximum ballasts per control (57PP/2R/2D)	100 for DALI or DSI. 50 for 0 – 10 V analog
Connections (Screw-type Phoenix-style connectors)	Input: 14 – 12 AWG (2.5 – 4 mm ²), Relay output: 14 – 12 AWG (2.5 – 4 mm ²) Motion detector: 3-pin, 1 per relay present, Auxiliary input: 2-pin, 1 per relay present, C-Bus: 4-pin
Maximum operating temp.	122° F (50 ° C) approved for use in a plenum
Operating humidity	10 to 90% RH (non-condensing)
Dimensions (H x W x D)	8.0 x 7.87 x 2.36 in. (203 x 200 x 60 mm)
Standards (Title)	CSA C22.2 No. 205 (Signal Equipment), UL916 (Energy Management Equipment) FCC Part 15 (Class B Digital Device for Home or Office Use)

*For Diagram see technical section page 26

Product Features

- Input voltage range: 100 – 277 Vac 50/60 Hz
- One motion detector input terminal for each relay
- 24 Vdc power supply for the motion detectors
- One auxiliary input switch terminal and timer for each relay
- One relay fail-safe mode switch for each relay
- Remote override on/off capability
- Class 1 and Class 2 voltage isolation
- C-Bus connectivity option

Catalog Number	Description
5752PP/2R	Occupancy Controller with 2 relays rated at 16 amps each
5752PP/2R/2D	Occupancy Controller with 2 relays rated at 16 amps each and 2 ballast control outputs: DSI, DALI, or 0-10 V*

*Check with your local C-Bus or Schneider Electric sales representative for availability of units that can control electronic ballasts.

Compatible Sensors

Sensor	Description
SLSCPS1000	Ceiling mount PIR motion sensor, 360° detection pattern, isolated relay
SLSCUS2000	Ceiling mount Ultrasonic motion sensor, 360° detection pattern, isolated relay
SLSCDS2000	Ceiling mount Dual-technology (PIR and Ultrasonic) motion sensor, 360° detection pattern, isolated relay
SLSCDU800	Ceiling mount Ultrasonic motion sensor, 180° detection pattern, isolated relay

Sensor	Description
SLSCDS800	Ceiling mount Dual-technology (PIR and Ultrasonic) motion sensor, 180° detection pattern, isolated relay
SLSWPS1500	Wall mount PIR motion sensor, 110° detection pattern, isolated relay
SLSWUS1500	Wall mount Ultrasonic motion sensor, isolated relay
SLSWDS1500	Wall mount Dual-technology; PIR and ultrasonic motion

C-Bus

Area Lighting Panels

The C-Bus Area Lighting Panels are ideally suited to meet lighting control energy code requirements in classrooms, offices and other small spaces. These devices provide the ability to integrate keypads, occupancy sensing, light level detection, and switching without the mess of complex control wiring. A simple CAT-5 cable is all that is required to connect sensors and keypads.

Area Lighting Panels can operate as independent stand-alone islands or as part of an entire facility wide lighting control system. Enclosures can easily be mounted in electrical closets or in ceiling spaces. They include all necessary connections and are UL Listed. Area Lighting Panels can also be used in conjunction with Powerlink panels.

Area Lighting Panels can be used for on/off switching, stepped dimming or continuous dimming applications. All relays feature rugged 20A rated contacts for switching electronic ballast loads. Models with continuous dimming capabilities are rated for either NEC Class 1 or Class 2 wiring.



8 channel 20A Relay Area Lighting Panel

Technical Information

Rated Voltage	120 V and 277 V 50/60 Hz
Number of Units per Network	Use the C-Bus calculator, a software utility to determine total network current load or Toolkit software
Electrical isolation	3.5 kV RMS from C-Bus to the line
Relays	20 A
Short Circuit Current Rating	65 kA (120 V), 14 kA (277 V)
C-Bus Connections	RJ45
Dimensions	
12M Enclosure	12.78 in. x 9.09 in. x 4.0 in.
24M Enclosure	14.50 in. x 14.94 in. x 4.0 in.
Standards	UL: Listed 508A, FCC part 15.101, Class B Device EN61000-4-2 Immunity to ESD

Product Features

- Relay models: Four or eight relay outputs, rated 20 A
- 0 – 10 V outputs for control of 0 – 10 V dimmable fluorescent ballast (suitable for use with MARK 7[®], Sylvania Quicktronic[®], and Universal SuperDim[®])
- Integral neutral and ground bar terminal strips
- Plenum-rated for ceiling applications
- Bypass mode to facilitate quick start up
- Meets NEC Article 409
- UL Listed 508A, SCCR current ratings: 65 kA (120 V), 14 kA (277 V)
- Surface Mount NEMA 1 Enclosure

Catalog Number	Enclosure	Description
4 Channel 20A Relay Models		
SLCZ042000T	12M	4 Channel 20 A Relay @ 120 V with power supply*
SLCZ042000H	12M	4 Channel 20 A Relay @ 277 V with power supply*
SLCZ042000TP	12M	4 Channel 20 A Relay @ 120 V without power supply
SLCZ042000HP	12M	4 Channel 20 A Relay @ 277V without power supply
8 Channel 20A Relay Models		
SLCZ082000T	24M	8 Channel 20 A Relay @ 120 V with power supply*
SLCZ082000H	24M	8 Channel 20 A Relay @ 277 V with power supply*
SLCZ082000TP	24M	8 Channel 20 A Relay @ 120 V without power supply
SLCZ082000HP	24M	8 Channel 20 A Relay @ 277 V without power supply
4 Channel 20A Relay Models with 0-10V Output Units		
SLCZ04204AT	24M	4 Channel 20 A Relay @ 120 V with power supply and 4 Channel 0 – 10 V Output Unit*
SLCZ04204AH	24M	4 Channel 20 A Relay @ 277 V with power supply and 4 Channel 0 – 10 V Output Unit*
SLCZ04204ATP	24M	4 Channel 20 A Relay @ 120 V without power supply and 4 Channel 0 – 10 V Output Unit
SLCZ04204AHP	24M	4 Channel 20 A Relay @ 277 V without power supply and 4 Channel 0 – 10 V Output Unit
4 Channel Phase Angle Dimmer Models		
SLCZ00004DT	12M	4 Channel Phase Angle Dimmer @ 120 V with power supply
SLCZ00004DTP	12M	4 Channel Phase Angle Dimmer @ 120 V without power supply
4 Channel 20A Relay Models with Phase Angle Dimmer Units		
SLCZ04204DT	24M	4 Channel 20 A Relay @ 120 V with power supply and 4 channel phase angle dimmer unit
SLCZ04204DTP	24M	4 Channel 20 A Relay @ 120 V without power supply and 4 channel phase angle dimmer unit

*For stand-alone applications order unit with power supply

C-Bus

8M/12M Enclosures

The C-Bus Enclosures provide a housing for various C-Bus DIN-mounted devices. The 8M and 12M enclosures are specifically designed for distributed applications that require physical proximity between DIN units and keypads, sensors or controlled loads.

The 8M enclosure consists of a box with a cover and a DIN rail for mounting one 8M or two 4M units. The enclosure also has provisions for mounting neutral and ground bars.

The 12M enclosure consists of a box with a cover and a DIN rail for mounting three 4M C-Bus units, one 8M unit plus one 4M unit or one 12M unit. The enclosure also has factory mounted neutral and ground bars.



8M Enclosure

12M Enclosure

Technical Information

Type	NEMA 1
DIN Module Capacity	8M: One 8M or two 4M C-Bus units 12M: One 12M, one 8M + one 4M or three 4M C-Bus units
Dimensions	8M: 12.57 in. (L) x 8.88 in. (W) x 3.8 in. (D) [319 mm (L) x 226 mm (W) x 97 mm (D)] 12M: 12.78 in. (W) x 9.09 in. (T) x 4.0 in. (D) [325 mm (L) x 231 mm (W) x 102 mm (D)]
Mounting	DIN rail
Weight	8M: 8.4 lb (3.81 kg) 12M: 11.7 lb (5.3 kg)
Standards	UL Standard 50 Enclosures for electrical equipment

*For Diagram see technical section page 155

Catalog Number	Description
SLC8M	8M DIN Enclosure▲
SLC12MSG	12M DIN Enclosure★

Accessories	Description
PK7GTA	Ground/Neutral Bar◆
PKG TAB	Neutral Insulator Kit◆
SLC4CSF8	Filler Plate, 4M
PK7GTA	Ground/Neutral Bar
PKG TAB	Neutral Insulator Kit

▲ Includes one ground bar, one filler plate, cable ties and mounts for wire management.

★ Includes one DIN rail, one ground bar, and one insulated neutral terminal bar pre installed on the mounting pan.

Also included are 2 ft. of flexible, Class 2 barrier, four pan mounting screws, four cover mounting screws, and two DIN rail stops.

◆ Additional terminal bar and insulator for devices that require neutral connection points for loads, such as a relay unit.

Note: The C-Bus 8M Enclosure will accept one additional terminator bar (PK7GTA) intended for load neutral connections. This is to be used when the C-Bus unit mounted inside requires neutral connection points for loads, i.e. a relay unit. Use in conjunction with a Neutral Insulator Kit (PKG TAB)

Product Features

- Surface-mount NEMA 1 enclosure
- Welded sheet steel with knockouts
- Gray baked enamel, electrodeposited over cleaned, phosphatized steel
- Triple-lead cover screws for fast installation of cover
- DIN rail, suitable for mounting DIN modules
- UL Listed

C-Bus

24M Enclosure

The C-Bus Enclosures provide a housing for various C-Bus DIN-mounted devices. The 24M enclosure is specifically designed for distributed applications that require physical proximity between DIN units and keypads, sensors or controlled loads.

Suitable for surface mounting, the 24M enclosure consists of a box with a hinged door and two rows for mounting C-Bus DIN-mounted units. Each row can hold one 12M unit, one 8M unit plus one 4M unit, or three 4M units. The enclosure also has provisions for additional neutral and ground bars.



24M Enclosure

Technical Information

24M Enclosure	
Type	NEMA 1
DIN Module Capacity	Two rows for mounting C-Bus DIN-mounted units. Each row can hold one 12M unit, one 8M unit plus one 4M unit, or three 4M units
Dimensions	14.50 in. (W) x 14.94 in. (T) x 4.0 in. (D) [368 mm (L) x 379 mm (W) x 102 mm (D)]
Mounting	DIN rail
Standard	UL Standard 50 Enclosures for electrical equipment
Weight	18.9 lb (8.6 kg)

*For Diagram see technical section page 156

Catalog Number	Description
SLC24MSG	24M DIN Enclosure★

Accessories	Description
PK7GTA	Ground/Neutral Bar◆
PKG TAB	Neutral Insulator Kit◆

★ The enclosure comes with two DIN rails, two ground bars, and two insulated neutral terminal bars pre-installed on the mounting pan. Also included are 2 ft. of flexible, Class 2 barrier, four pan mounting screws, and four door mounting screws, and four DIN rail stops.

◆ Additional terminal bar and insulator for devices that require neutral connection points for loads, such as a relay unit.

Note: The C-Bus 24M Enclosure will accept one additional terminator bar (PK7GTA) intended for load neutral connections. This is to be used when the C-Bus unit mounted inside requires neutral connection points for loads, i.e. a relay unit. Use in conjunction with a Neutral Insulator Kit (PKG TAB)

Product Features

- Surface-mount NEMA 1 enclosure
- Welded sheet steel with knockouts
- Gray baked enamel, electrodeposited over cleaned, phosphatized steel
- Triple-lead cover screws for fast installation of cover
- Hinged trim for easy access
- DIN rail, suitable for mounting C-Bus DIN-mounted C-Bus units. Each row can hold one 12M unit, one 8M unit plus one 4M unit, or three 4M units.
- UL Listed

C-Bus

36MS Enclosures

The C-Bus Enclosures provide a multi-purpose means for housing various C-Bus DIN-mounted devices. Suitable for flush or surface mounting, the enclosure consists of a mounting, pan assembly, and a cover assembly. The cabinet can be ordered separately, allowing for its installation with the rough-in of field wiring. Optional accessories are available to meet the needs of particular installations.

The 36MS enclosure provides three rows for mounting DIN-mounted C-Bus units. Each row has the capacity to hold one 12M unit, one 8M unit with one 4M unit, or three 4M units.

36MS Enclosures are specifically designed for conventional installation near the main breaker panel. They provide a simple means of installing DIN-mounted units with all of the necessary wiring, neutral bars, ground bars and other components included. Once installed, the enclosure system allows for easy system maintenance with the C-Bus units accessible.



36MS Enclosure

Technical Information

36M Enclosure	
Type	NEMA 1
DIN Module Capacity	Three DIN rails, each with the capacity for one 12M, one 8M with one 4M, or three 4M C-Bus DIN units
Dimensions with Cover	40.6 in. (L) x 15.4 in. (W) x 3.9 in. (D) [1031 mm (L) x 392 mm (W) x 99 mm (D)]
Standard	UL Standard 50 Enclosures for electrical equipment
Module Mounting	DIN rail
Total Weight	57.7 lb (26.17 kg)

*For Diagram see technical section page 156

Catalog Number	Description
SLC36SC	Enclosure Cabinet
SLCMSFG	Flush Mount Gray
SLCMSSG	Surface Mount Gray
SLCMSFW	Flush Mount White
SLC2REC	Dual Receptacle Bracket

Accessories	Description
PK7GTA	Grnd/Neutral
PKG TAB	Neutral Isolator Kit
SLC4CSF8	Filler Plate

Product Features

- NEMA 1 enclosure suitable for flush or surface mounting
- Welded sheet steel with knockouts
- Gray baked enamel paint, electrodeposited over cleaned, phosphatized steel
- Triple-lead cover screws for fast installation of cover
- Three (3) DIN rails, each suitable for mounting C-Bus DIN units in one of the following configurations:
 - » One (1) 12M unit
 - » One (1) 8M module with one (1) 4M unit
 - » Three (3) 4M units

C-Bus

60M Enclosures

The C-Bus Enclosures provide a multi-purpose means for housing various C-Bus DIN-mounted devices. Suitable for flush or surface mounting, the enclosure consists of a cabinet, a mounting pan assembly, and a cover assembly. The cabinet can be ordered separately, allowing for its installation with the rough-in of field wiring. Options are available to meet the needs of particular installations.

The 60M enclosure provides five rows for mounting DIN-mounted C-Bus units. Each row has the capacity to hold one 12M unit, one 8M unit with one 4M unit or three 4M units.

Schneider Electric 60M Enclosures are specifically designed for conventional installation near the main breaker panel. They provide a simple means of installing DIN-mounted units with all of the necessary wiring, neutral bar, barriers and other components included. Once installed, the enclosure system allows for easy system maintenance with the C-Bus units accessible.



60M Enclosure

Technical Information

60M Enclosure	
Type	NEMA Type 1
DIN Module Capacity	Five DIN rails, each with the capacity for one 12M, one 8M with one 4M, or three 4M C-Bus DIN units
Dimensions with Cover (flush mount)	40.6 in. (L) x 15.4 in. (W) x 3.9 in. (D) [1031 mm (L) x 392 mm (W) x 99 mm (D)]
Dimensions with Cover (surface mount)	39.4 in. (L) x 14.2 in. (W) x 3.9 in. (D) [1000 mm (L) x 360 mm (W) x 99 mm (D)]
Dimensions of Enclosure Cabinet	39.4 in. (L) x 14.2 in. (W) x 3.69 in. (D) [1000 mm (L) x 360 mm (W) x 99.8 mm (D)]
Standard	UL Standard 50 Enclosures for electrical equipment
Module Mounting	DIN rail
Total Weight	57.7 lb (26.17 kg)

*For Diagram see technical section page 157

Catalog Number	Description
SLC36C	Enclosure Cabinet, 40 in.
SLC60MFG	Mounting pan with gray flush-mount cover
SLC60MSG	Mounting pan with gray surface-mount cover
SLC60MFW	Mounting pan with white flush-mount cover

Accessories	Description
SDM4AC	Two duplex power receptacles
PK4FL	Door latch, locking
SLC4CSF8	Filler plate, 4M

Product Features

- NEMA Type 1 enclosure suitable for flush or surface mounting
- Welded sheet steel with knockouts
- ANSI Gray #49 baked enamel paint, electrodeposited over cleaned, phosphatized steel
- Triple-lead cover screws for fast installation of cover
- UL listed, 600V rated Class 2 barrier included
- (3) pre-installed 23 position ground bars and (5) 12 position isolated neutral assemblies included
- Five DIN rails, each suitable for mounting C-Bus DIN units in one of the following configurations:
 - » One 12M unit
 - » One 8M unit with one (1) 4M unit
 - » Three 4M units
- UL Listed

C-Bus

Eight Button Remote Controllers

The C-Bus Eight-button Infrared (IR) Remote Control provides hand held remote control operation of lighting and other loads. Designed to work in conjunction with C-Bus devices containing IR receivers, this convenient remote control can switch, dim and control lighting scenes.

C-Bus Eight-button Remote Controller controls multiple input units as well as separately configured units.

This versatile remote control has a range of up to 49 feet (15 meters) and is easily configured by programming the IR receiving device in the C-Bus Toolkit software.



8 Button Remote Controls

Technical Information

Supply Voltage	3 Vdc required for normal operation
Battery Type	(2) x AAA alkaline Speaker Diameter
IR Transmission Range	Up to 49 ft. (15 m)
Dimensions	5.9 in. (L) x 2.1 in. (W) x 1.0 in. (D) [149 mm (L) x 52 mm (W) x 25 mm (D)]
Weight (w/o batteries)	2 oz (61 g)
Remote Control Holder	
Dimensions	4.3 in. (L) x 2.2 in. (W) x 1.3 in. (D) [108 mm (L) x 55 mm (W) x 32 mm (D)]
Mounting Centers	2.2 – 2.4 in. (55 – 60 mm)
Mounting Screw Size	#6 (7/8 in.) flathead wood screw (3.5 mm x 20 mm)
Wall Anchor Size	¼ in. (7 mm x 25 mm)
Weight	1 oz (28 g)

*For Diagram see technical section page 158

Catalog Number	Description
SLC5088TX	Eight Button IR Remote Controller

Product Features

- Eight-button options
- Wall mount storage holder included with each remote control
- Removeable front cover for label insertion (labels included)
- (2) AAA batteries included

Distributed Intelligence

- Compatible with C-Bus IR Input devices

IR Accessories

IR TUBE TARGET

Infra-red IR target designed to receive IR commands from Infra-red remote controls. Simple in-ceiling mounting. Includes phoenix connector and 2 meters of wire. Comes with optional clear lens.



IR Shelf Mount Target

Infra-red IR target designed to receive IR commands from Infra-red remote controls. Simply set unit on shelf for easy IR command access. Includes phoenix connector and 2 meters of wire.



IR Flat Target

Infra-red IR target designed to receive IR commands from Infra-red remote controls. Designed to mount in diffusers and small areas to mask appearance. Includes phoenix connector and 2 meters of wire.



IR Emitter Leads

IR Leads plug into the C-Bus Multi room audio matrix switcher or C-Bus Nirts, and emit IR codes to the third party devices. Single and dual emitter leads available. Includes transparent adhesive sticker for application.



NIRT

The C-Bus NIRT is a wall mounted IR transmitter, that is designed to work with the C-Bus control system. The NIRT transmits up to 2 channels of IR commands to control third party components, ie: DVD players, TV's, etc.



IR Reader

The C-Bus IR Reader is a programming tool that is used to learn 3rd party remote control IR commands. Using Circa software (free download) plug IR Reader into a PC via USB port and send remote control signal capture IR Code.



Catalog Number	Description
SLC8050TT	IR Tube Target
SLC8050ST	IR Shelf Mount Target
SLC8050FT	IR Flat Target
SLC8050LD	IR Emitter Leads- Single
SLC80502LD	IR Emitter Leads- Dual
SLC5034NIRT	NIRT
SLC5100RP	IR Reader

C-Bus Software

Schedule Plus

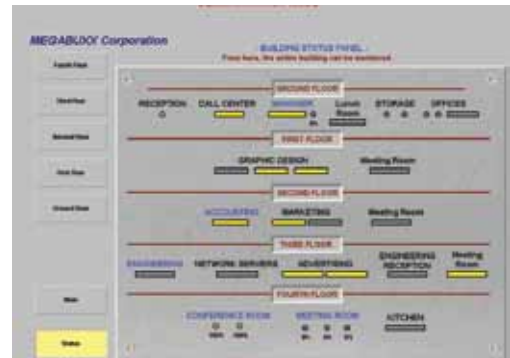
The C-Bus Schedule Plus Software provides a powerful and simple to use interface to a C-Bus control system. Schedule Plus provides control and monitoring of a commercial or industrial C-Bus system from a PC running the Microsoft Windows operating system. Access is obtained from a local PC or remotely via an Internet connection with a standard Web Browser.

Schedule Plus displays graphical items on user pages with simple Menu and Tab based options. Graphic items can be programmed to perform C-Bus functions when pressed. Examples of the type of items that can appear on Schedule Plus pages include buttons, sliders, indicators, real-time clocks JPEG Images and Bitmap Images. These can be placed and sized as a user requires and can be displayed in full color. Schedule Plus also reports the state of the C-Bus group addresses on a network in real-time, with group addresses represented by text or icons that change condition depending on status. Custom icons can be generated to represent the various control states; alternatively icons from the icon library provided with the package can be used.

As well as manual control and monitoring of a C-Bus system, Schedule Plus can also be used to create and edit complete C-Bus scenes and initiate real-time based schedules of events. The software supports a project editing mode for customizing the user interface and an operation mode, where clicking components on the screen will execute the programmed actions. Enhanced scheduling includes support for monitoring load run times, load power and energy consumed.



Schedule Plus Application Software USB



Example of a Schedule Plus Software Display Screen

Technical Information

Platform	Windows 95, 98, 2000, NT, ME, Vista and XP
Server Technology	C-Bus C-Gate
Connections	Ethernet, RS-232
Graphical Objects	Text, buttons, sliders, shapes, images, real time clock, C-Bus timer, percentage indicator, light level, temperature, C-Bus network voltage
Component Properties	C-Bus network parameters, position, size, font style and color, text and image alignments, borders, stroke, background color/shading
Graphical Associations	C-Bus command (on/off/ramp), scene activation, scene activation via C-Bus scene controllers, page links, back one page, operation over remote applications, exit simulation page
Scheduled Events	Create, display edit and print. Daily, weekly, weekdays, weekends, monthly and once off
Event Properties	Send C-Bus command (on/off/ramp & ramp rate), send pulsed C-Bus commands, set scenes, time of event, cycle of event
Password Protection	Yes
Modes	(2) Normal/Project Editing
Project Summary	Yes
Event Log	Yes
Page Templates	Yes (included)
Image Library	Yes (included)
Sound	.WAV file capable

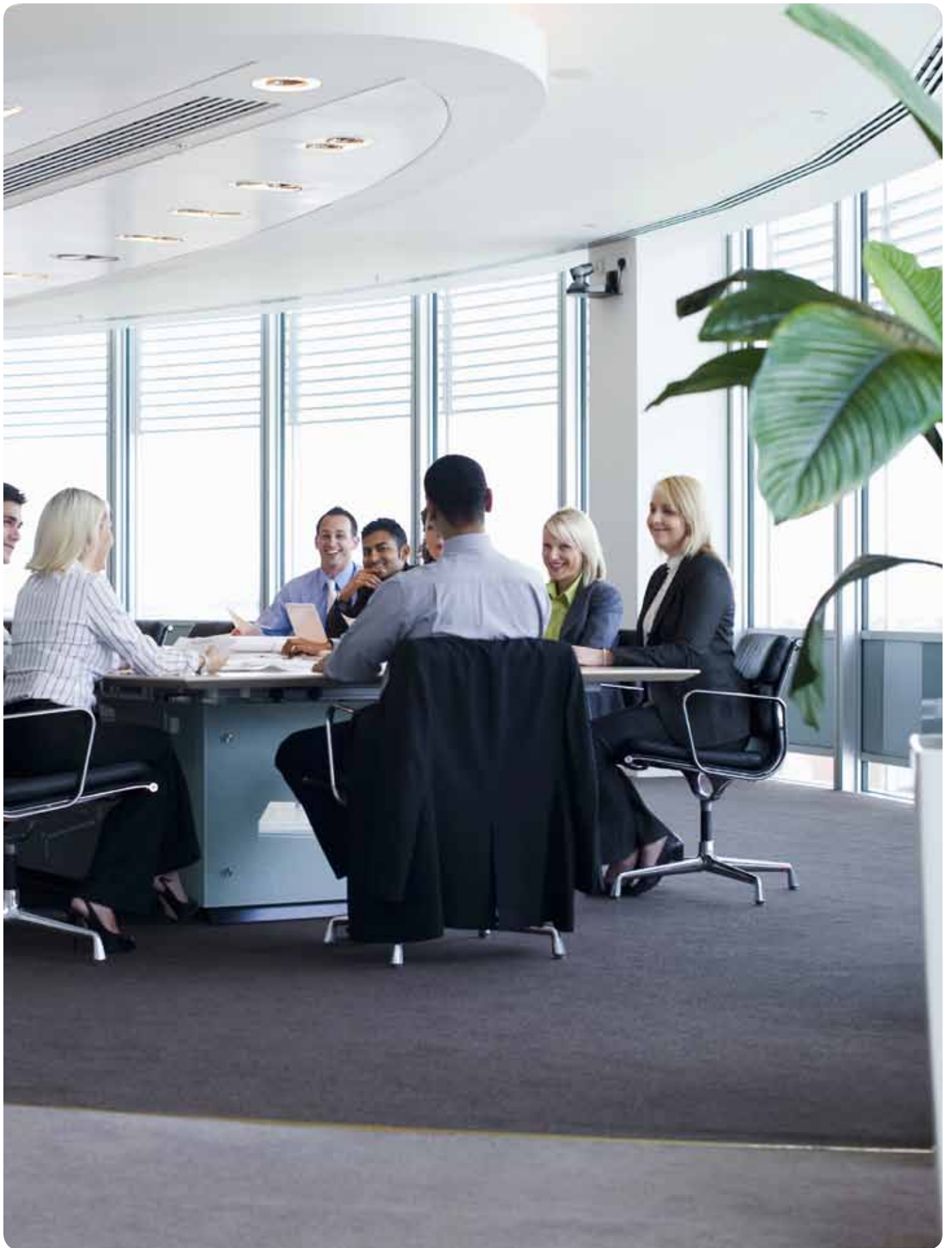
Catalog Number	Description
SLC5000SDSP24	Schedule Plus license key for 2 networks
SLC5000SDSP104	Schedule Plus license key for 10 networks
SLC5000SDSPU4	Schedule Plus license key for unlimited networks
SLC5000SDSP24	Schedule Plus installer Key*

* Installer key allows installers to create/commission projects using SchedulePlus software. This code key is time restricted and allows the software to operate in 'normal' mode for anywhere between 48 to 72 hours per use (the software then returns to evaluation/demo mode).

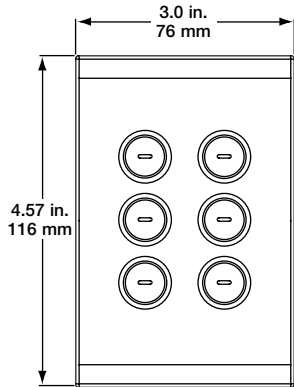
Note: The installer code key will also be compatible with future software releases

Product Features

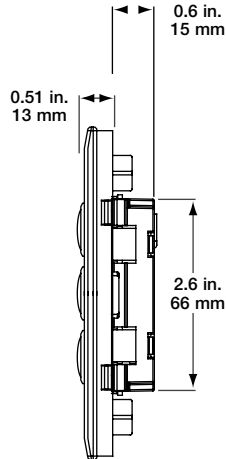
- Supports Microsoft Platforms (Vista compatible)
- Supports 128 bit encrypted internet connectivity
- Automatic project error checking and reporting
- Connection to C-Bus via Ethernet or RS-232
- Two, ten and unlimited network software licence key options
- Fully functional logic engine
- Graphical components used to illustrate actions
- Scheduled events can be created, displayed, edited, printed and scheduled daily, weekly, weekdays, weekends and monthly
- Monitoring of load run times, load power and energy consumed
- Page templates and image library
- Event log
- Two modes, Normal Operation or Project Editing Modes
- Individual pages can be password protected
- Application support for HVAC and Security



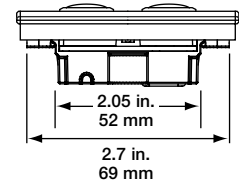
Saturn Keypads



Front view of keypad, including external height and width measurements of case

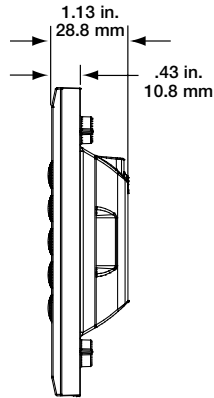
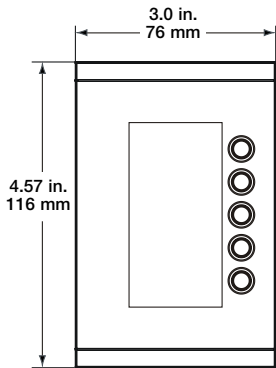


Side view of keypad, including height and depth requirements for insertion into wall



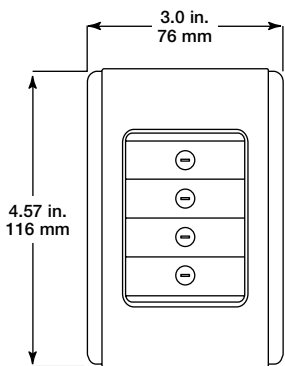
Top view of keypad showing width

Saturn Keypads with Dynamic Labelling Technology

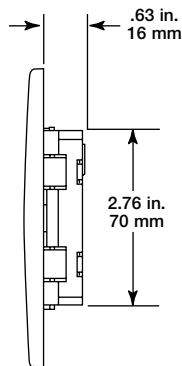


Front and side views of the Saturn DLT keypad illustrate its length and width and the depth the case extends into and out of a wall

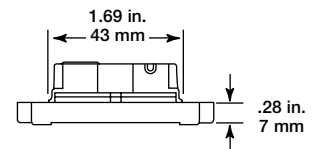
Neo Decorator Keypads



Front view of keypad, including external height and width measurements of Faceplate

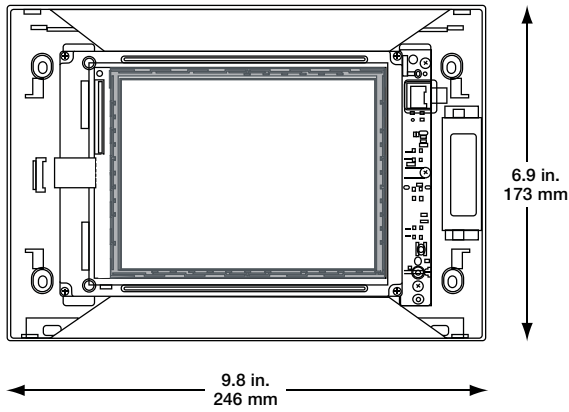


Side view of keypad, including height and depth requirements for insertion into wall

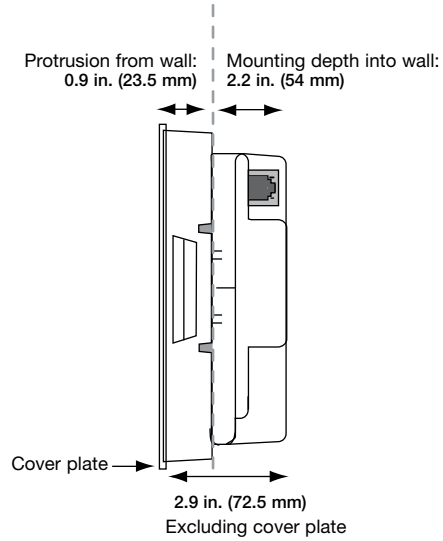


Top view of keypad, including depth of face plate

Color Touch Screen

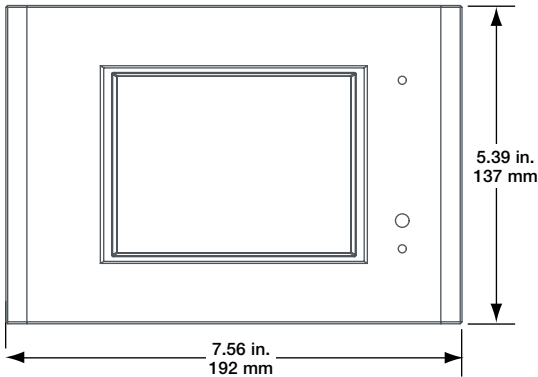


Front view of Color Touch Screen

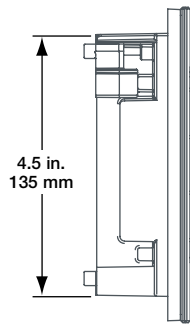


Side view of Color Touch Screen

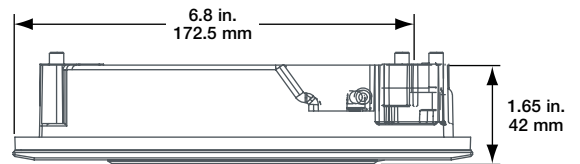
Spectrum Touch Screen



Front view of Spectrum Touch Screen

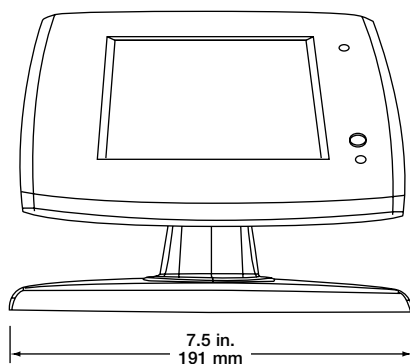


Side view of Spectrum
Touch Screen

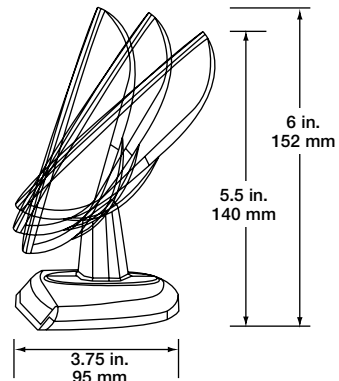


Top view of Spectrum Touch Screen

Spectrum Desktop Touch Screen

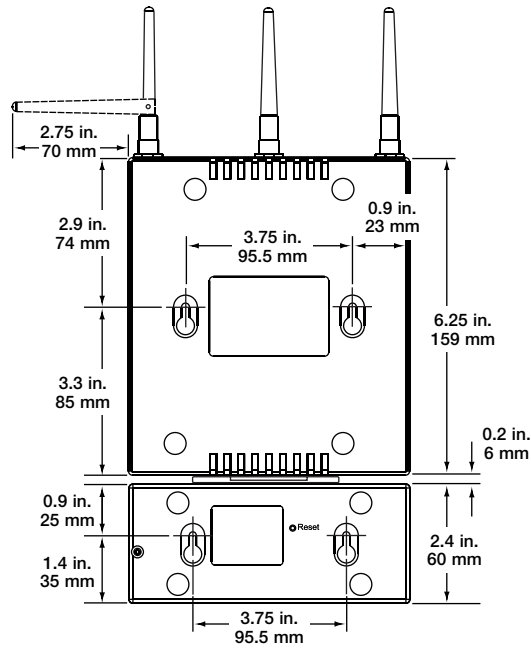


Front view of Spectrum
Touch Screen

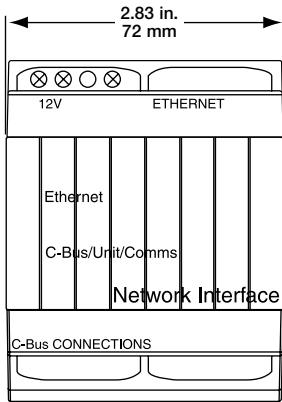


Side view of Spectrum
Touch Screen

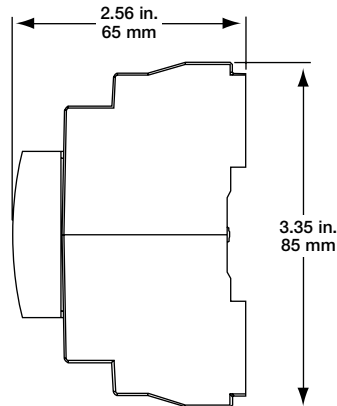
Wiser Home Controller



Ethernet Network Interface

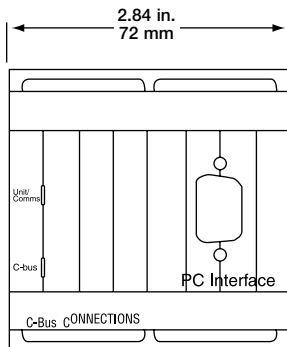


View of the Ethernet Network Interface showing width

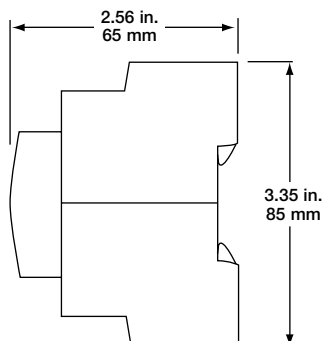


View of the Ethernet Network Interface showing height and depth

PC Interface

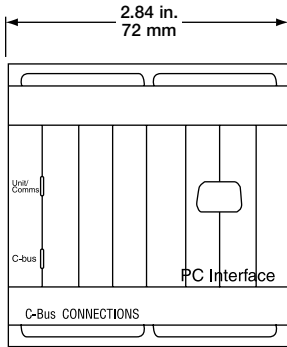


Front view of the PC Interface showing width

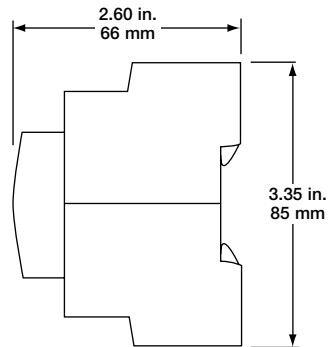


Side view of the PC Interface showing height and depth

USB Interface

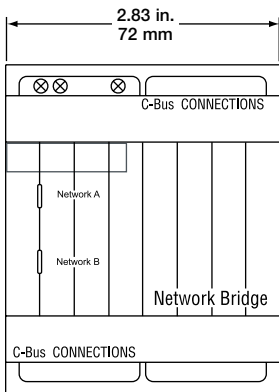


Front view of the PC Interface showing width

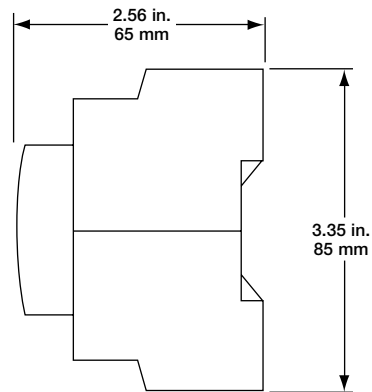


Side view of the PC Interface showing height and depth

Network Bridge

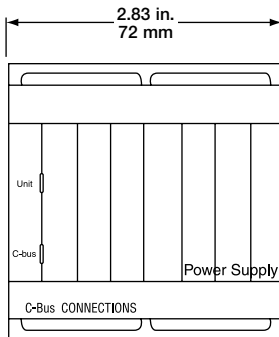


Front view of the Network Bridge showing width

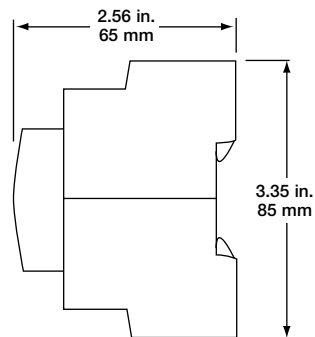


Side view of Network Bridge showing height and depth

Power Supply

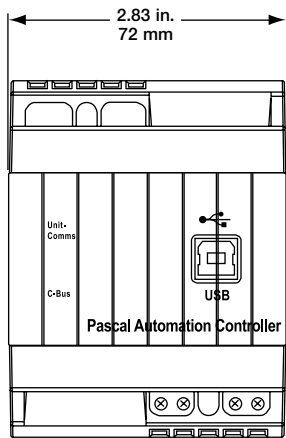


Front view of a Power Supply showing width

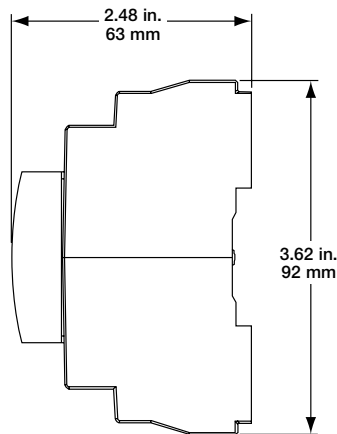


Side view of a Power Supply showing depth and height

Pascal Automation Controller

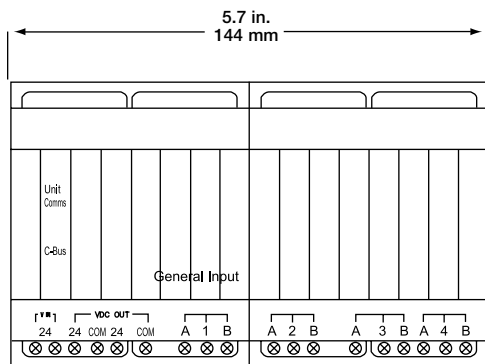


Front view of the Pascal Automation Controller

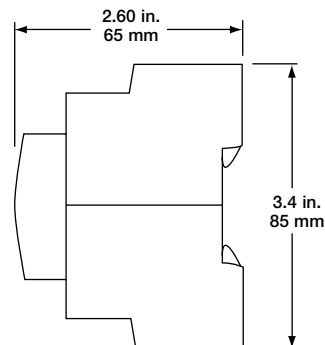


Side view of the Pascal Automation Controller

General Input Unit

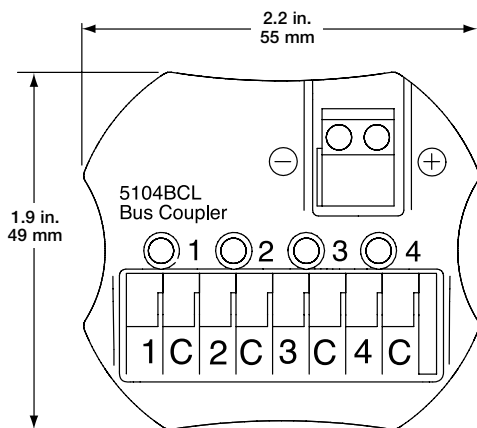


Top view of General Input Unit

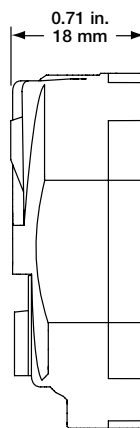


Side view of General Input Unit

Bus Coupler

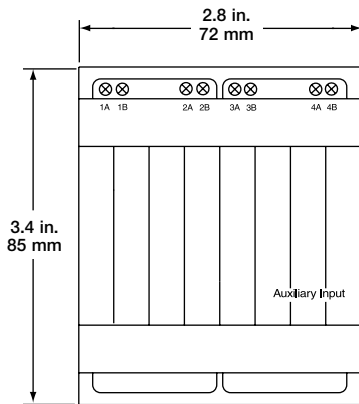


Top view of Four-Channel Bus Coupler

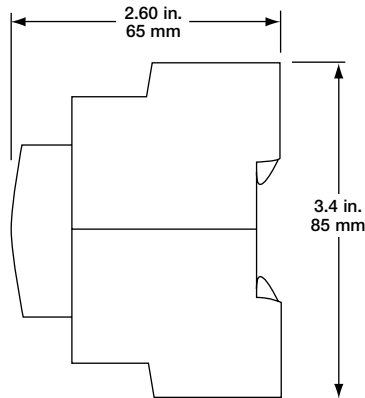


Side view of the Four-Channel Bus Coupler

Four-Channel Auxiliary Input Unit

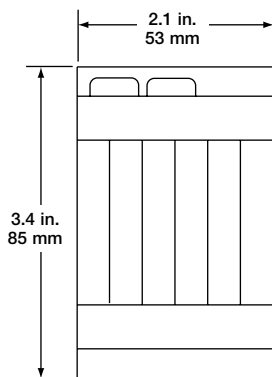


Top view of Four-Channel Auxiliary Input Unit

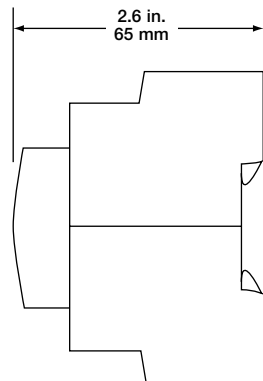


Side view of Four-Channel Auxiliary Input Unit

DIN Fan Controller

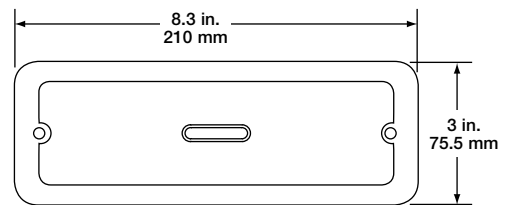
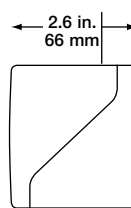


Front view of DIN Fan Controller

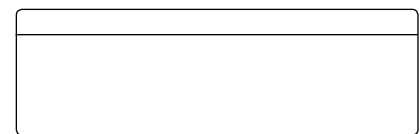


Side view of DIN Fan Controller

Fan Controller Enclosure

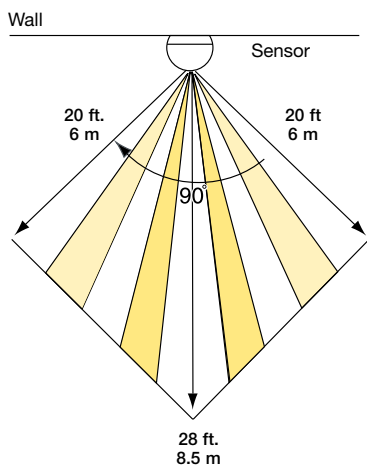


Front view of Fan Controller Enclosure

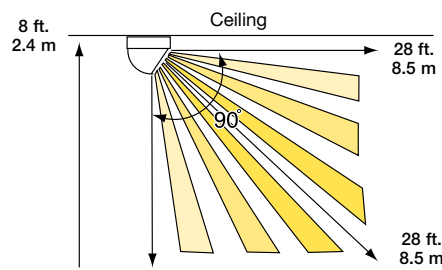


Side view of Fan Controller Enclosure

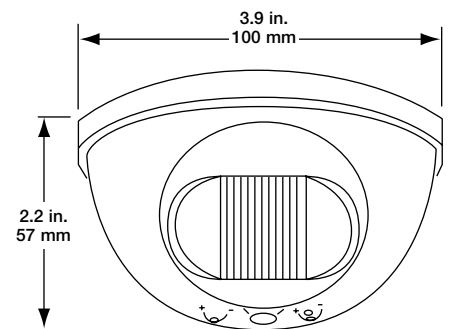
Indoor PIR Occupancy Sensor



Field of view from top of indoor occupancy sensor

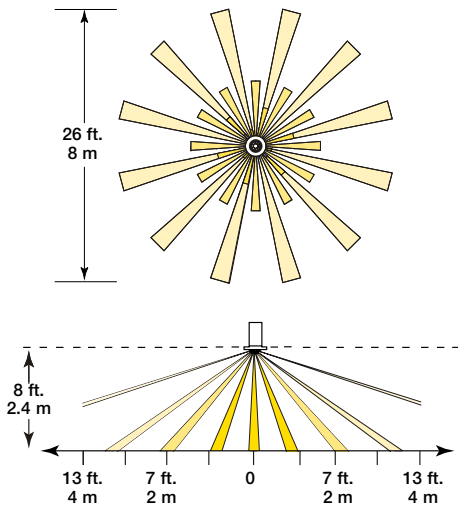


Field of view from side of indoor occupancy sensor

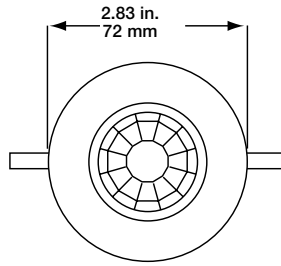


Front view of indoor occupancy sensor

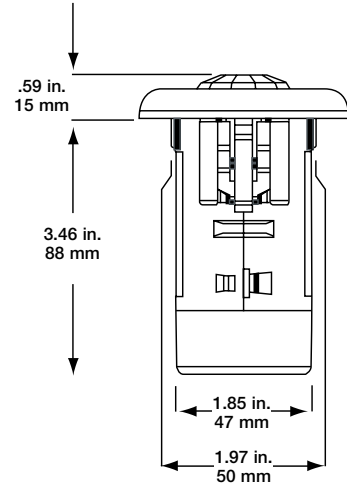
360° PIR Occupancy and Multi-Sensor



Field of view from top and side for 360 PIR Occupancy Sensor mounted 8 ft. above floor

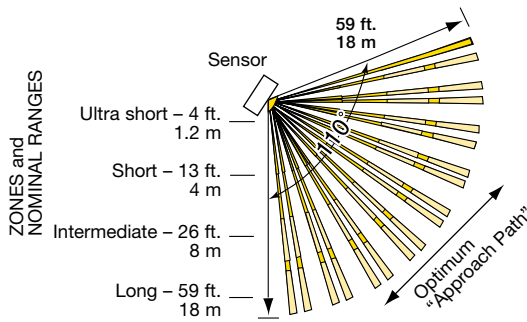


Front view of C-Bus 360° PIR Occupancy Sensor

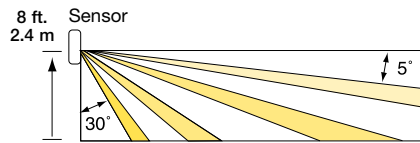


Side view of C-Bus 360° PIR Occupancy Sensor

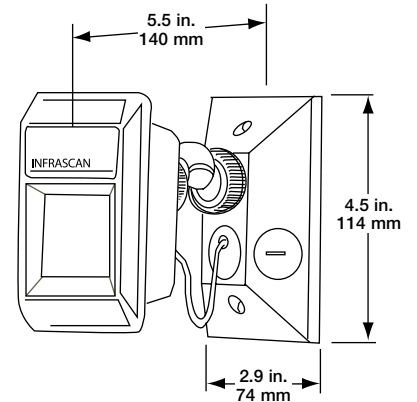
Outdoor Motion Sensor



Field of view from top of Outdoor Motion Sensor

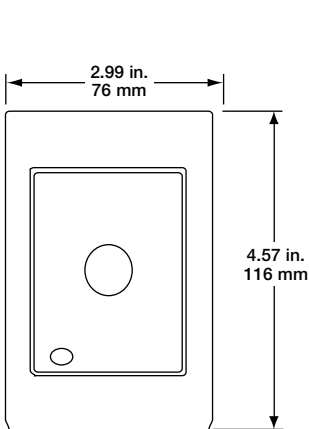


Field of view from side of Outdoor Motion Sensor

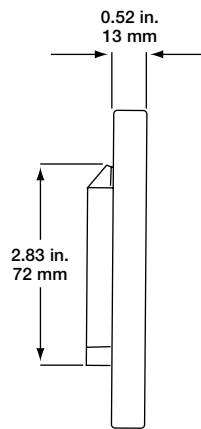


Side view of Outdoor Motion Sensor

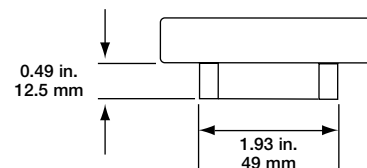
Light-Level Sensor



Front view of Light-Level Sensor

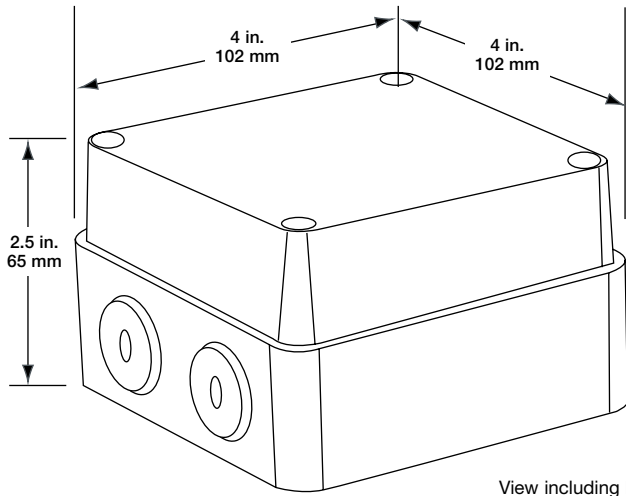


Side view of Light-Level Sensor

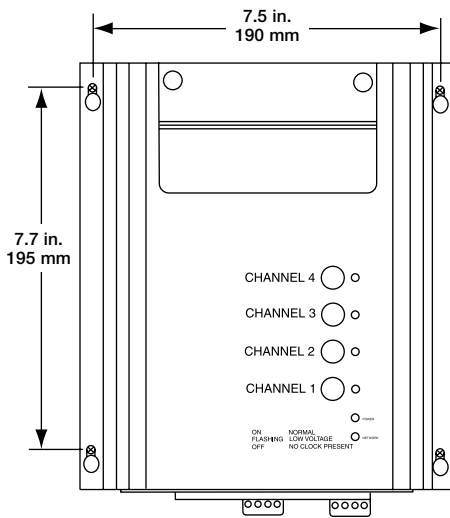


Top view of light-level sensor

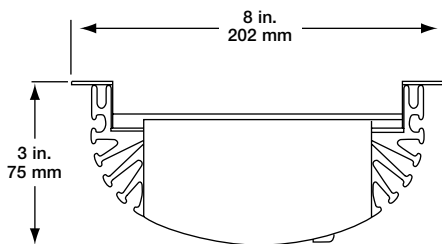
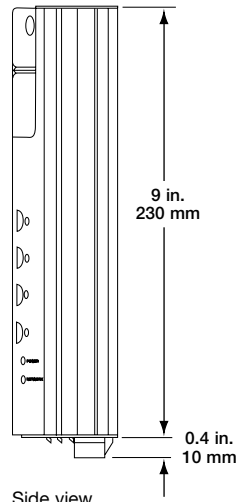
Outdoor Light-Level Sensor



Professional Series Dimmer

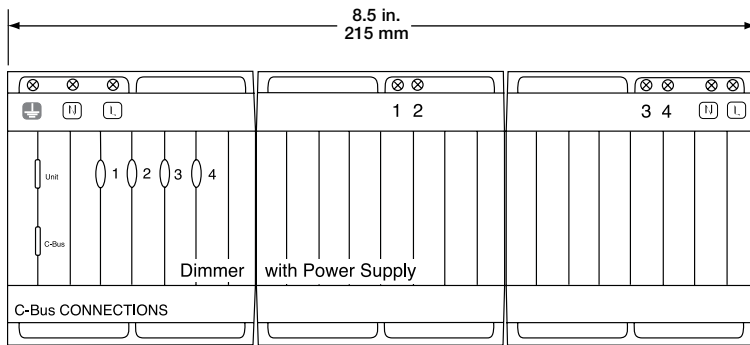


Front view including mounting centers

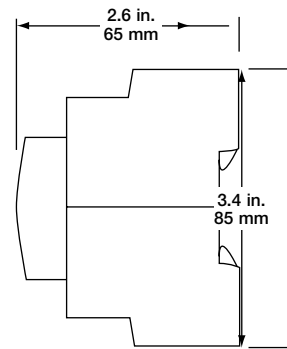


Top view

Phase Angle Dimmer Unit

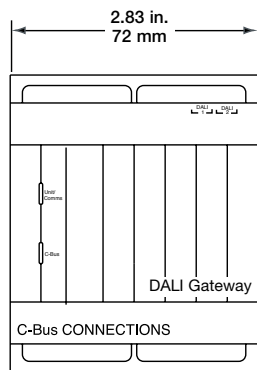


Front view of the Phase Angle Dimmer Unit

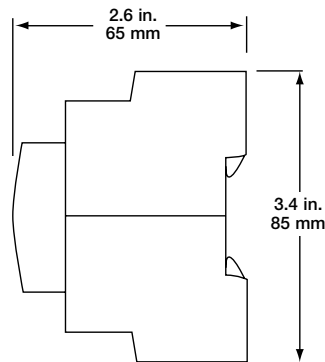


Side view of the Phase Angle Dimmer Unit

2 Channel DALI Gateway

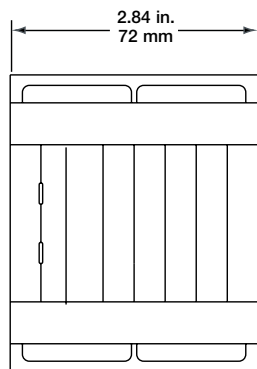


Front view of DALI Gateway

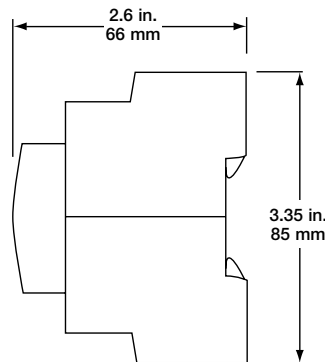


Side view of DALI Gateway

DMX One Way Gateway

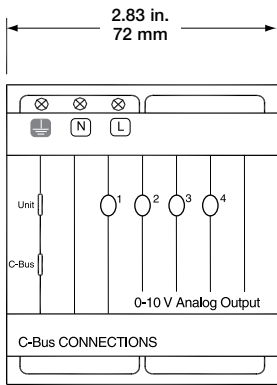


Front view

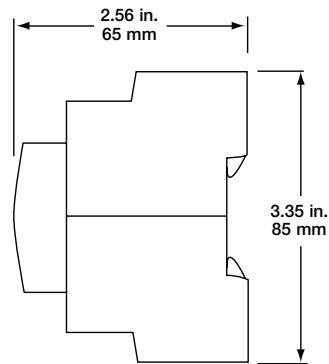


Side view

4 Channel 0-10V Fluorescent Ballast Dimmer

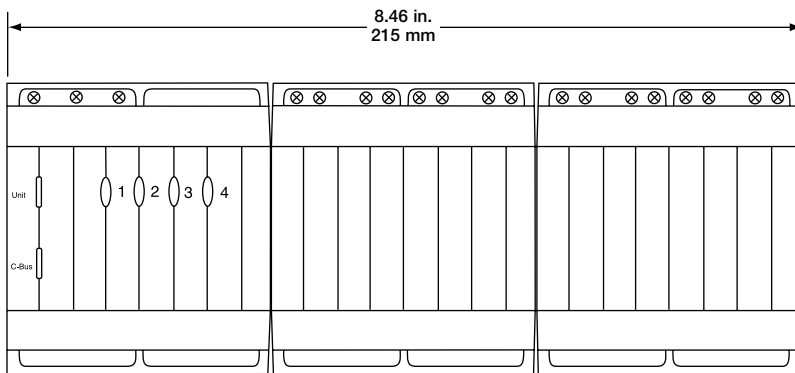


Front view of the 0-10V Fluorescent Ballast Dimmer

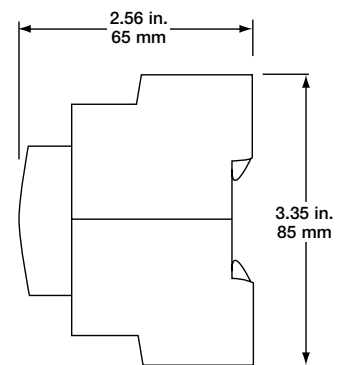


Side view of the 0-10V Fluorescent Ballast Dimmer

20 Amp Relay Units

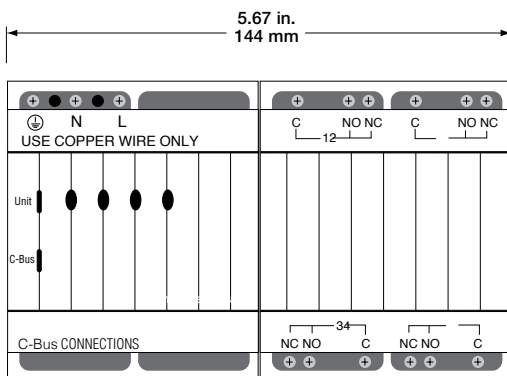


Front view of a C-Bus 4 Channel 20 Amp Relay with Power Supply

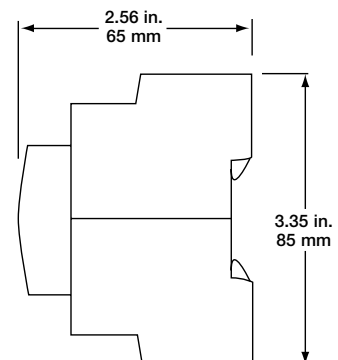


Side view of a C-Bus 4 Channel 20 Amp Relay

Changeover Relay Units

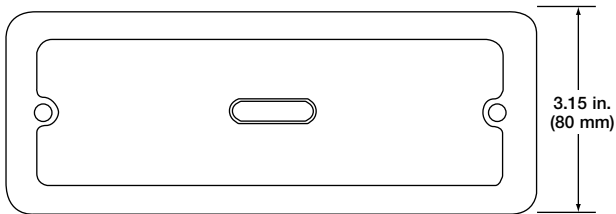


Front view of a C-Bus Changeover Relay

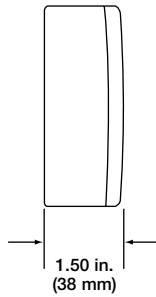


Side view of a C-Bus Changeover Relay

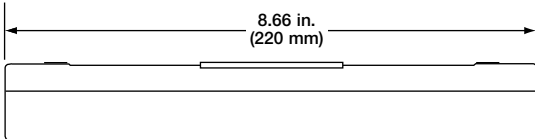
Low Voltage Relay 8 Channel



Front view of Low Voltage Relay 8 Channel

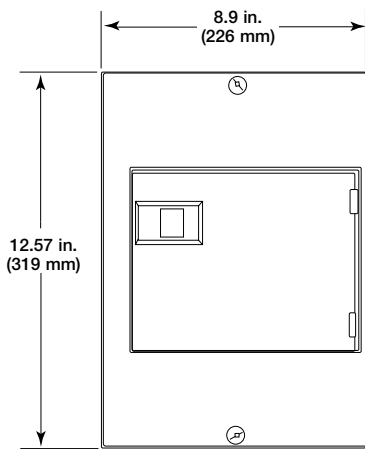


Side view of Low Voltage Relay 8 Channel

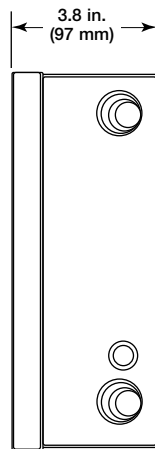


Top view of Low Voltage Relay 8 Channel

8M Enclosure

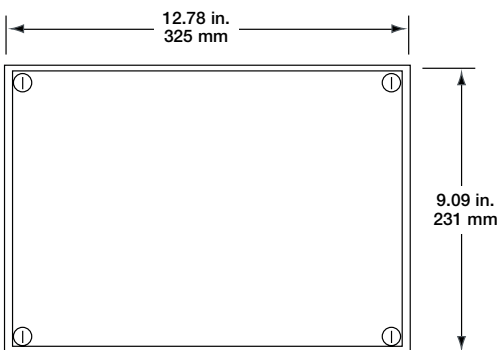


Front view of 8M Enclosure box showing height and width

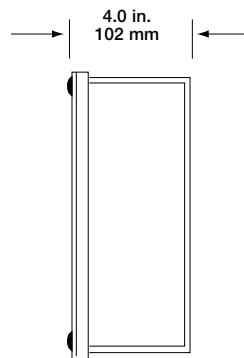


Side view of 8M Enclosure box showing depth

12M Enclosure

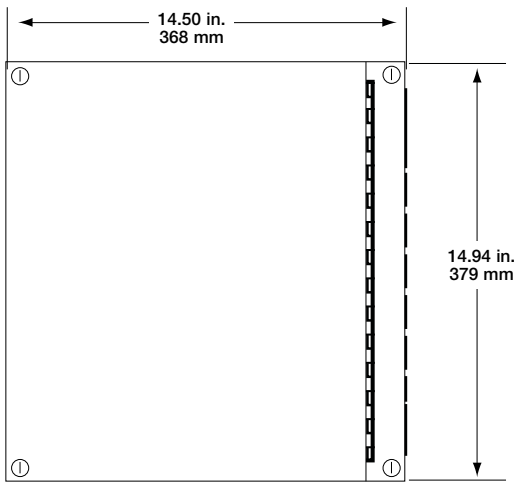


Front view of 12M Enclosure box showing height and width

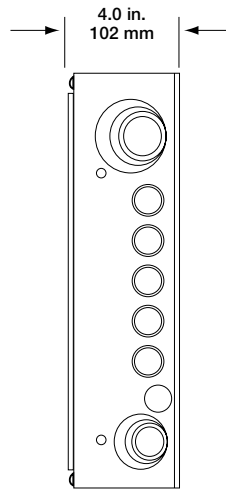


Side view of 12M Enclosure box showing depth

24M Enclosure

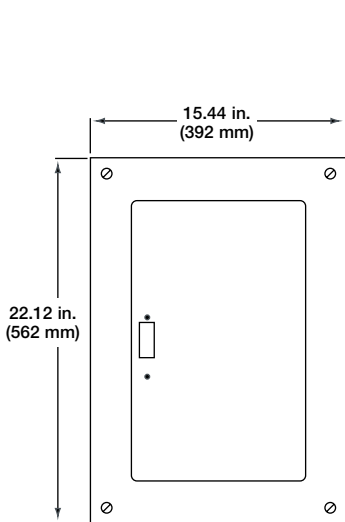


Front view of 24M Enclosure box showing height and width

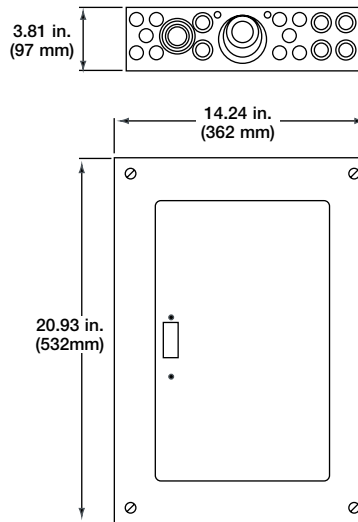


Side view of 24M Enclosure box showing depth

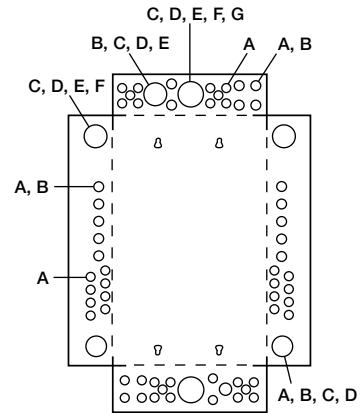
36MS Enclosure



Dimensions for the 36MS Enclosure Flush Mounted

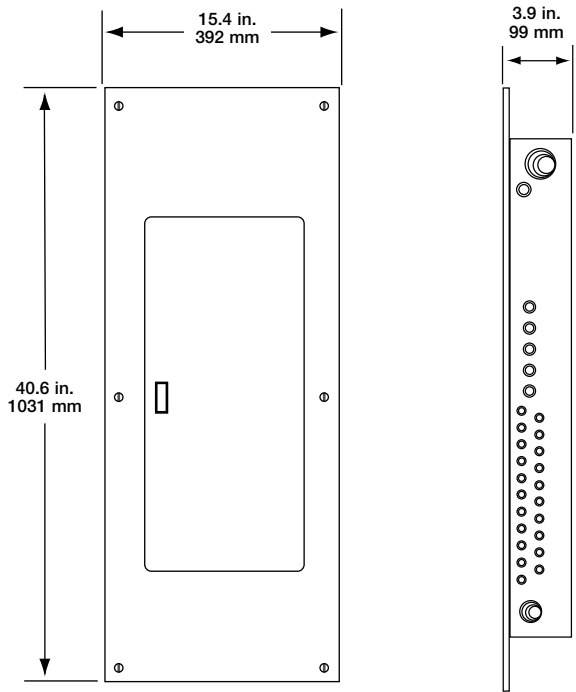


Dimensions for the 36MS Enclosure Surface Mounted

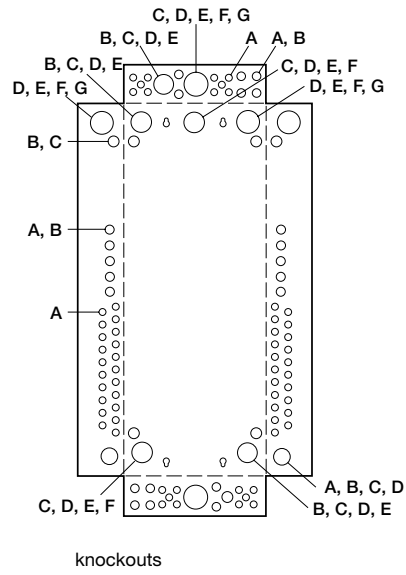


36MS Knockouts								
Symbol	A	B	C	D	E	F	G	H
Conduit Size	1/2	3/4	1	1 1/4	1 1/2	2	2 1/2	3

60M Enclosure



Front and side view (flush mount)

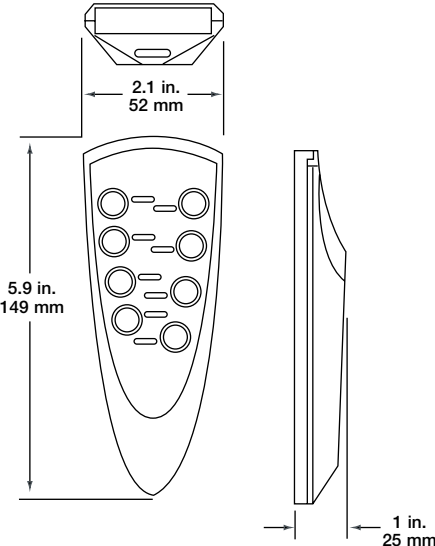


knockouts

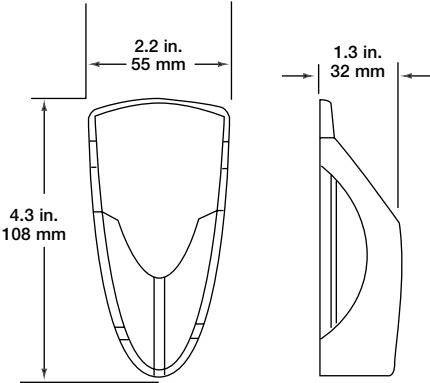
36M Knockouts							
Symbol	A	B	C	D	E	F	G
Conduit Size	½	¾	1	1¼	1½	2	2½

C-Bus

Eight Button Remote Controllers



C-Bus 8 Button Remote Control



C-Bus 4 and 8 Button Remote Control Holder

Schneider Electric USA

320 Tech Park Drive, Suite 100
La Vergne, TN, 37086
1-888-778-2733
www.schneider-electric.us