



## Main

|                           |               |
|---------------------------|---------------|
| Range of Product          | Harmony 9001K |
| Product or Component Type | Pilot light   |
| Device short name         | 9001K         |

## Complementary

|   |   |
|---|---|
| Bezel material                              | Metal   |
| Mounting diameter                           | 1.18 in (30 mm)   |
| Shape of signaling unit head                | Round   |
| Lens type                                   | Domed plastic   |
| Cap/operator or lens colour                 | Blue  |
| Light source                                | incandescent  |
| Bulb base                                   | BA 9s   |
| Light block supply                          | Direct 24...28 V AC/DC  |
| Connections - terminals                     | Screw clamp terminals, 1 x 0.22...2 x 1.5 mm <sup>2</sup> IEC 60947-1 |
| Tightening torque                           | 7.08 lbf.in (0.8 N.m) IEC 60947-1                                     |
| Shape of screw head                         | Cross slotted   |
| Shape of screw head                         | Cross slotted   |
| Operating position                          | Any position  |
| [Ui] rated insulation voltage               | 250 V 2)IEC 60947-1   |
| [Uimp] rated impulse withstand voltage      | 2.5 kV IEC 60947-1  |
| Short-circuit protection                    | 10 A cartridge fuse IEC 60947-5-1                                     |
| Light source                                | Incandescent bulb   |
| [Ith] conventional free air thermal current | 10 A  |
| CAD overall width                           | 2.13 in (54 mm)   |
| CAD overall height                          | 2.76 in (70 mm)   |
| CAD overall depth                           | 1.65 in (42 mm)   |
| [Us] rated supply voltage                   | 24...28 V AC/DC   |
| Net Weight                                  | 0.30 lb(US) (0.134 kg)  |
| Device presentation                         | Complete product  |
| Lens type                                   | Domed   |
| [Us] rated supply voltage                   | 24...28 V   |
| Light block supply                          | Full voltage  |
| Lens material                               | Polycarbonate   |
| Size  | 30 mm   |

## Environment

|                                       |  |
|---------------------------------------|--|
| Standards                             | CSA C22.2 No 14<br>EN/IEC 60947-5-1<br>EN/IEC 60947-1<br>JIS C8201-5-1<br>EN/IEC 60947-5-4<br>UL 508<br>JIS C 852<br>JIS C8201-1 |
| Product Certifications                | NEMA[RETURN]UL 508   |
| Protective treatment                  | TC   |
| Ambient Air Temperature for Storage   | -40...158 °F (-40...70 °C)   |
| Ambient Air Temperature for Operation | -13...158 °F (-25...70 °C)   |
| Vibration resistance                  | 7 gn 2...500 Hz)IEC 60068-2-6  |
| Shock resistance                      | 50 gn IEC 60068-2-27   |
| Overvoltage category                  | Class II IEC 61140   |
| IP degree of protection               | IP66 IEC 60529   |
| NEMA degree of protection             | NEMA 1<br>NEMA 12<br>NEMA 13<br>NEMA 2<br>NEMA 3<br>NEMA 3R<br>NEMA 4<br>NEMA 6  |

## Ordering and shipping details

|                   |                             |
|-------------------|-----------------------------|
| Category          | 21426-9001 K (NOT KA,KM,KX) |
| Discount Schedule | CS1                         |
| GTIN              | 785901625896                |
| Returnability     | Yes                         |
| Country of origin | MX                          |

## Packing Units

|                              |                     |
|------------------------------|---------------------|
| Unit Type of Package 1       | PCE                 |
| Number of Units in Package 1 | 1                   |
| Package 1 Height             | 1.80 in (4.572 cm)  |
| Package 1 Width              | 2.10 in (5.334 cm)  |
| Package 1 Length             | 3.60 in (9.144 cm)  |
| Package 1 Weight             | 8.00 oz (226.796 g) |

## Offer Sustainability

|                            |   |
|----------------------------|---|
| Sustainable offer status   | Green Premium product   |
| California proposition 65  | WARNING: This product can expose you to chemicals including: Lead and lead compounds, which is known to the State of California to cause cancer and birth defects or other reproductive harm. For more information go to <a href="http://www.P65Warnings.ca.gov">www.P65Warnings.ca.gov</a> |
| REACH Regulation           | <a href="#">REACH Declaration</a>   |
| EU RoHS Directive          | Pro-active compliance (Product out of EU RoHS legal scope)  |
| Mercury free               | Yes   |
| China RoHS Regulation      | <a href="#">China RoHS Declaration</a>  |
| RoHS exemption information | <a href="#">Yes</a>   |
| Environmental Disclosure   | <a href="#">Product Environmental Profile</a>   |
| Circularity Profile        | No need of specific recycling operations  |
| WEEE                       | The product must be disposed on European Union markets following specific waste collection and never end up in rubbish bins.  |

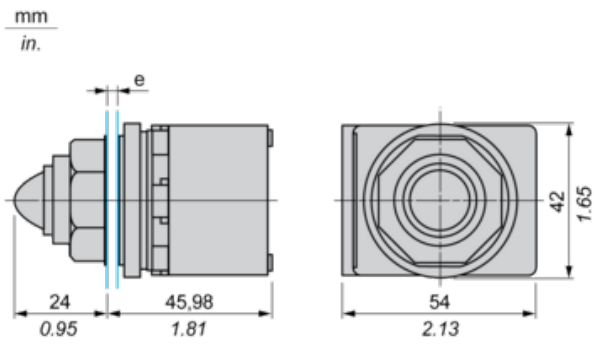
## Contractual warranty

---

|          |           |
|----------|-----------|
| Warranty | 18 months |
|----------|-----------|

---

Dimensions



e panel thickness: 1 to 6 mm / 0.04 to 0.24 in.