

ZARB11WSP

Base station, Harmony pocket remote, 11 relays outputs, pre-wired, 1.5m cable, 12...24V DC



Main

Range of Product	Harmony Pocket Remote
Product or Component Type	Base station
Device short name	ZARB

Complementary

Cable entry	Cable pre-wired
Material	ABS + PC
[Us] rated supply voltage	12...24 V DC
Provided Equipment	Internal antenna
Number of relays	11
Relay type	Motion relay outputs 11 C/O Auxiliary relay outputs
Maximum switching current	10 A
Maximum switching voltage	240 V AC +/- 20 %)
Communication network type	Wireless
Maximum power consumption in VA	12 VA DC at 30 mA (maximum) active relays 24 VA DC at 20 mA (maximum) active relays
Transmission frequency	2.4 GHz
Maximum sensing distance	984.25 ft (300 m) in free field
Fixing Mode	4 holes
Electrical durability	100000 cycles
Mechanical durability	10000000 cycles
Width	4.72 in (120 mm)
Height	4.61 in (117 mm)
Depth	2.01 in (51 mm)
Net Weight	0.88 lb(US) (0.40 kg)

Environment

IP degree of protection	IP66
Radio agreement	FCC IC
Relative humidity	0...97 %
Ambient Air Temperature for Operation	-4...131 °F (-20...55 °C)
Ambient Air Temperature for Storage	-40...158 °F (-40...70 °C)
Product Certifications	CE

The information provided in this documentation contains general descriptions and/or technical characteristics of the performance of the products contained herein. This documentation is not intended as a substitute for and is not to be used for determining suitability or reliability of these products for specific user applications. It is the duty of any such user or integrator to perform the appropriate and complete risk analysis, evaluation and testing of the products with respect to the relevant specific application or use thereof. Neither Schneider Electric Industries SAS nor any of its affiliates or subsidiaries shall be responsible or liable for misuse of the information contained herein.



Ordering and shipping details

Category	22467-PUSHBUTTONS,22MM(PLASTIC) NEW
Discount Schedule	CS2
GTIN	3606481499424
Returnability	No

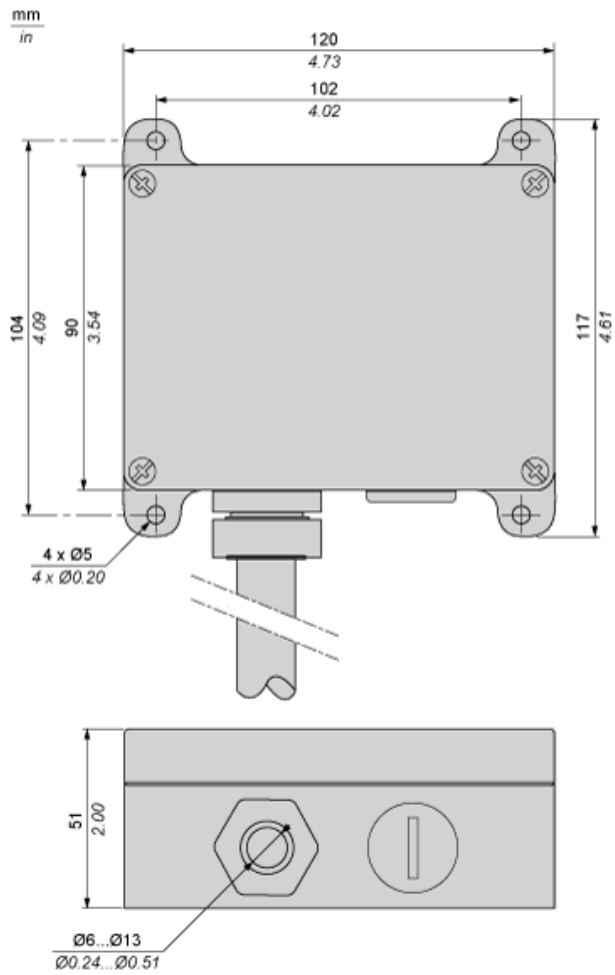
Packing Units

Unit Type of Package 1	PCE
Number of Units in Package 1	1
Package 1 Height	2.95 in (7.5 cm)
Package 1 Width	7.48 in (19 cm)
Package 1 Length	8.86 in (22.5 cm)
Package 1 Weight	31.75 oz (900 g)
Unit Type of Package 2	S03
Number of Units in Package 2	7
Package 2 Height	11.81 in (30 cm)
Package 2 Width	11.81 in (30 cm)
Package 2 Length	15.75 in (40 cm)
Package 2 Weight	16.48 lb(US) (7.477 kg)

Offer Sustainability

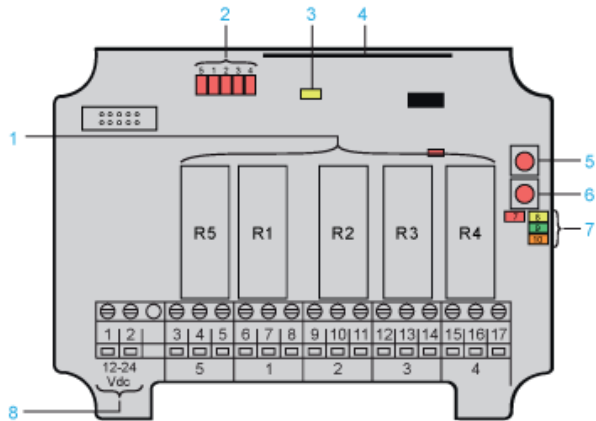
California proposition 65	WARNING: This product can expose you to chemicals including: Nickel compounds, which is known to the State of California to cause cancer, and Di-isodecyl phthalate (DIDP), which is known to the State of California to cause birth defects or other reproductive harm. For more information go to www.P65Warnings.ca.gov
EU RoHS Directive	Pro-active compliance (Product out of EU RoHS legal scope)
Mercury free	Yes
China RoHS Regulation	 China RoHS Declaration
RoHS exemption information	 Yes
WEEE	The product must be disposed on European Union markets following specific waste collection and never end up in rubbish bins.

Receiver Dimensions

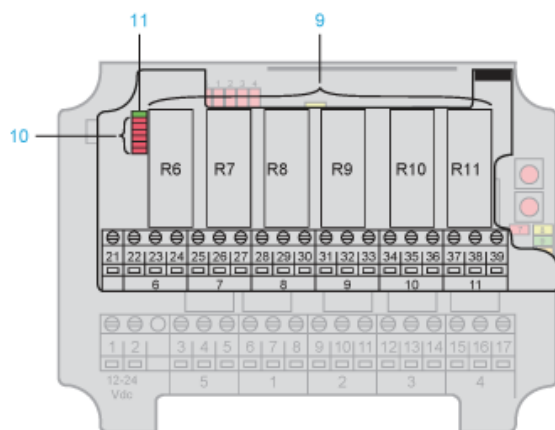


Receiver Wiring

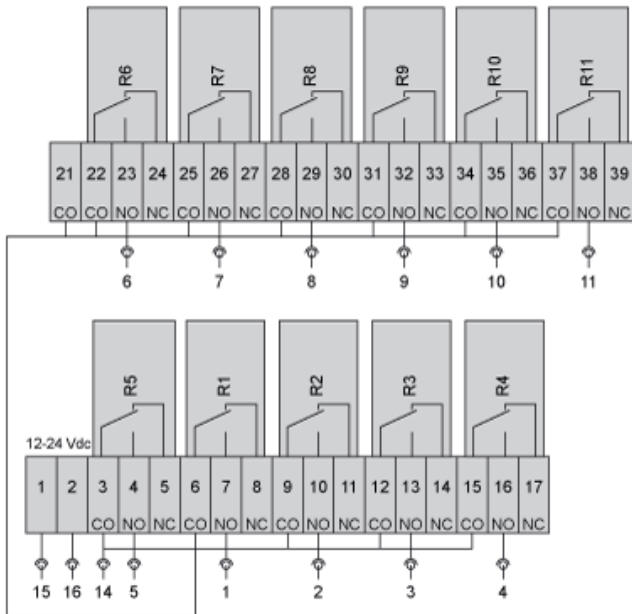
Bottom layer



Top layer



Part	Description
1	Relays R1...R5
2	Relays LEDs (red)
3	Power LED (yellow)
4	Radio module
5	Function button (cancel)
6	Select button (OK)
7	Function LEDs (7 = red, 8 = yellow, 9 = green, 10 = orange)
8	Terminal block for input power
9	Relays R6...R11
10	Relays LEDs (red)
11	Communication LED (green)



Signal	Cable no.
Power supply / +	15
Power supply / -	16
Relay R5	Common
Output (NO type)	5
Output (NC type)	-
Relay R1	Common
Output (NO type)	1
Output (NC type)	-
Relay R2	Common
Output (NO type)	2
Output (NC type)	-
Relay R3	Common
Output (NO type)	3
Output (NC type)	-
Relay R4	Common
Output (NO type)	4
Output (NC type)	-
Relay R6	Common
Output (NO type)	6
Output (NC type)	-
Relay R7	Common
Output (NO type)	7
Output (NC type)	-
Relay R8	Common
Output (NO type)	8
Output (NC type)	-
Relay R9	Common
Output (NO type)	9
Output (NC type)	-
Relay R10	Common
Output (NO type)	10

Signal		Cable no.
Output (NC type)	-	
Relay R11	Common	-
Output (NO type)	11	
Output (NC type)	-	