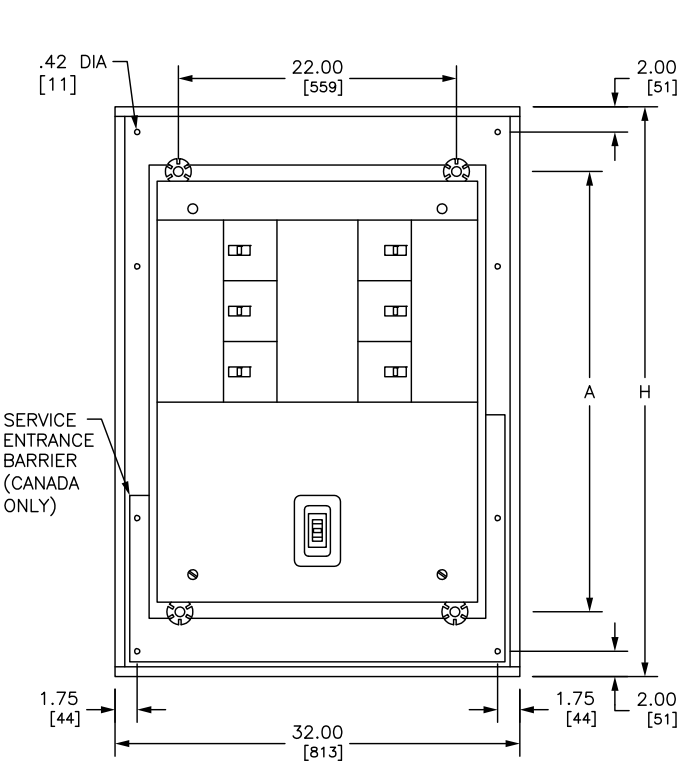
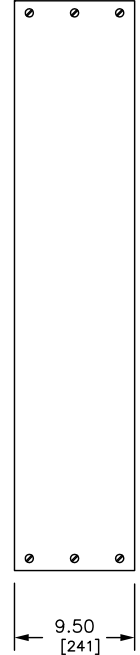


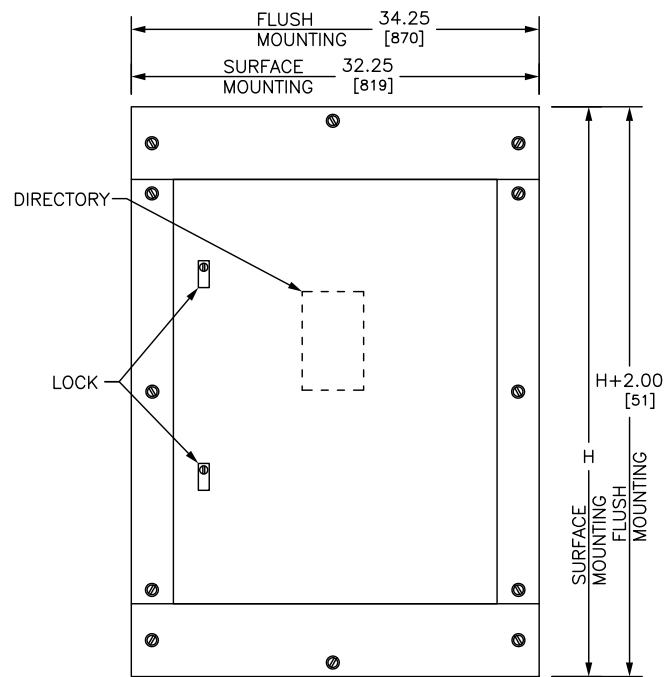
REV	DESCRIPTION	BY	DATE	---	---	---	---
---	---	---	---	---	---	---	---



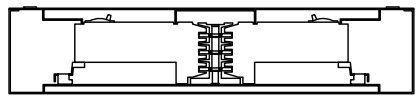
**TYPICAL BOX WITH INTERIOR**



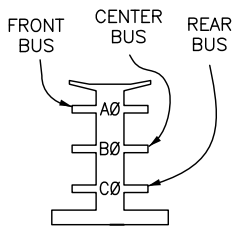
**TYPICAL BOX SIDE VIEW**



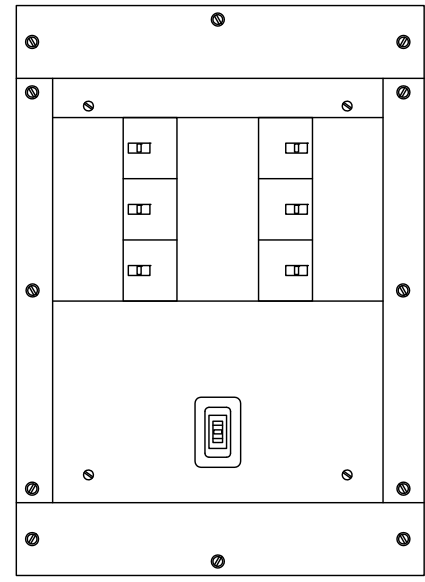
**TYPICAL FRONT**  
(4 PIECE TRIM - WITH DOOR)



**BD, BG, BJ, BK, HD, HG, HJ, HL, HR, JD, JG, JJ, JL, JR, QB, QD, QG, QJ and QO when HQO is installed**



BRANCH CONNECTION PHASING IS DETERMINED BY CIRCUIT BREAKER SELECTION



**TYPICAL FRONT**  
(4 PIECE TRIM - NO DOOR)

**Main Breaker: MG, MJ and LD, LG, LJ and LL for 600A only**

DUAL DIMENSIONS: INCHES MILLIMETERS

REFER TO DP CATALOG CLASS 2110 FOR ADDITIONAL INFORMATION

I-LINE HCJ PANELBOARDS MEET THE APPLICABLE REQUIREMENTS OF UL AND CSA.

BOX: CODE GAUGE STEEL WITH REMOVABLE BLANK ENDWALLS.

FRONT: CODE GAUGE STEEL. GRAY BAKED ENAMEL FINISH ELECTRODEPOSITED OVER CLEANED PHOSPHATIZED STEEL.

LOCK: (COVERS WITH DOORS) HAVE 2 FLUSH LOCK WITH NSR-251 KEY.

MAXIMUM MAIN BREAKER AMPERE RATING	BRANCH BREAKER MOUNTING SPACE (INCHES)	H		A	
		IN	MM	IN	MM
600/800	36	73.00	1854	47.10	1196
	72	91.00	2311	65.10	1654

NON-LINEAR

600/800	72	91.00	2311	65.10	1654
---------	----	-------	------	-------	------

NOTE: VENTED TRIM ONLY

JOB NAME: ---	EQUIPMENT DESIGNATION: ---
JOB LOCATION: ---	EQUIPMENT TYPE: I-LINE HCJ VERTICAL MCB
DRAWN BY: ---	DRAWING TYPE: ---
ENGR: ---	
DATE: FEBRUARY 2019	
DRAWING STATUS: ---	DWG# PBA472

