



Main

Range Compatibility	Lexium 52 Lexium ILS Lexium 32 Lexium 62 ILM Lexium SD3 Lexium ILA Lexium 62
Product or Component Type	Angular planetary gearbox
Gear box type	Straight teeth
Device short name	GBY
Product compatibility	BSH 2.17 in (55 mm), 1 BSH 2.17 in (55 mm), 2 BSH 2.17 in (55 mm), 3 BSH 2.76 in (70 mm), 1 BRS3 ILA 2.24 in (57 mm), 1 ILA 2.24 in (57 mm), 2 ILS 2.24 in (57 mm), 1 ILS 2.24 in (57 mm), 2 ILS 2.24 in (57 mm), 3 SH3 MH3 ILM
Gearbox external diameter	2.36 in (60 mm)
Reduction ratio	8:1

Complementary

Maximum torsional backlash	16 arc.min
Torsional rigidity	2.3 N.m/arcmin
Housing Colour	Black
Housing material	Black anodized aluminium
Shaft material	C 45
Additional information	Lubricated for life
Service life in hours	30000 h 100 rpm 86 °F (30 °C)
Mounting position	Any position
Efficiency	94 %
Maximum radial force Fr	340 N 100 rpm, force applied at mid-distance from output shaft during 30000 hour at 30 °C
Maximum axial force Fa	450 N 100 rpm, during 30000 hour at 30 °C
Moment of inertia	0.176 kg.cm ²
Continuous output torque	159.31 lbf.in (18 N.m) 100 rpm 86 °F (30 °C)
Maximum output torque	256.67 lbf.in (29 N.m) 100 rpm 86 °F (30 °C)
Net Weight	3.75 lb(US) (1.7 kg)
Input diameter	0.55 in (14.0 mm)

Environment

Noise level	70 dB 1 m, no-load
IP Degree of Protection	Shaft output IP54
Ambient temperature for operation	-13...194 °F (-25...90 °C)

The information provided in this documentation contains general descriptions and/or technical characteristics of the performance of the products contained herein. This documentation is not intended as a substitute for and is not to be used for determining suitability or reliability of these products for specific user applications. It is the duty of any such user or integrator to perform the appropriate and complete risk analysis, evaluation and testing of the products with respect to the relevant specific application or use thereof. Neither Schneider Electric Industries SAS nor any of its affiliates or subsidiaries shall be responsible or liable for misuse of the information contained herein.

Ordering and shipping details

Category	18283-NEUGART GEARBOXES
Discount Schedule	PC53
GTIN	3606480388675
Returnability	No
Country of origin	DE

Packing Units

Unit Type of Package 1	PCE
Number of Units in Package 1	1
Package 1 Height	3.82 in (9.7 cm)
Package 1 Width	3.15 in (8.0 cm)
Package 1 Length	7.09 in (18.0 cm)
Package 1 Weight	3.70 lb(US) (1.68 kg)
Unit Type of Package 2	S03
Number of Units in Package 2	5
Package 2 Height	11.81 in (30.0 cm)
Package 2 Width	11.81 in (30.0 cm)
Package 2 Length	15.75 in (40.0 cm)
Package 2 Weight	19.61 lb(US) (8.894 kg)

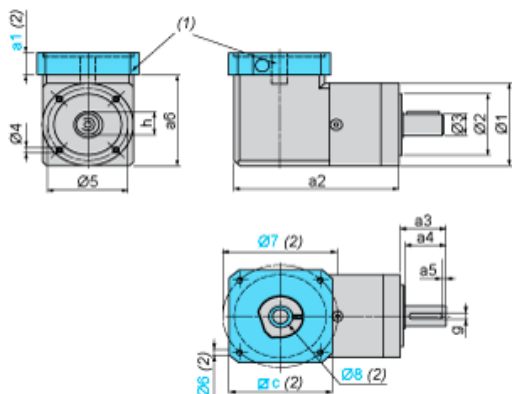
Offer Sustainability

Sustainable offer status	Green Premium product
California proposition 65	WARNING: This product can expose you to chemicals including: Lead and lead compounds, which is known to the State of California to cause cancer and birth defects or other reproductive harm. For more information go to www.P65Warnings.ca.gov
REACH Regulation	REACH Declaration
EU RoHS Directive	Pro-active compliance (Product out of EU RoHS legal scope)
Mercury free	Yes
China RoHS Regulation	China RoHS Declaration
RoHS exemption information	Yes
Environmental Disclosure	Product Environmental Profile
Circularity Profile	No need of specific recycling operations
PVC free	Yes

Contractual warranty

Warranty	18 months
----------	-----------

Dimensions with Servo Motor Adaptation Kit



- (1) GBK adaptation kit
 (2) GBK adaptation kit related dimensions a1, c, Ø6, Ø7, Ø8 depend on the gearbox and servo motor combination
 Ø8 shaft end adaptor in case motor shaft diameter is smaller than gearbox input coupling diameter

Values in mm

a2	a3	a4	a5	h	g	Ø1	Ø2	Ø3	Ø4	Ø5	a6
112.5	35	30	2.5	16	5	60	40 h7	14 h7	M5 x 8	52	80.3

Values in in.

a2	a3	a4	a5	h	g	Ø1	Ø2	Ø3	Ø4	Ø5	a6
4.43	1.38	1.18	0.09	0.63	0.19	2.36	1.57 h7	0.55 h7	M5 x 0.31	2.05	3.16