

Main

| | |
|---------------------------|--|
| Range of Product | Telemecanique Limit switches XC Standard |
| Series name | Miniature format |
| Product or Component Type | Wireless limit switch |
| Device short name | XCMW |
| Body type | Fixed |
| Head type | Rotary head |

Complementary

| | |
|------------------------------|---|
| Body Material | Plastic |
| Head material | Metal |
| Lever material | Metal |
| Fixing Mode | By 2 screws |
| Type of operator | Spring return roller lever |
| Switch actuation | By 30° cam |
| Type of approach | Lateral approach, 2 directions |
| Communication network type | ZigBee green power 2.4 GHz IEEE 802.15.4 |
| Electrical composition code | PW1 |
| Emission Power | 3 mW |
| Response Time | <= 2 ms |
| Maximum sensing distance | 328.08 Ft (100 m) in free field 984.25 Ft (300 m) with external antenna 82.02 ft (25 m) in industrial environment |
| Contact operation | Snap action |
| Number of steps | 1 |
| Maximum force for tripping | 50 N |
| Maximum torque for tripping | 4.43 lbf.in (0.5 N.m) |
| Maximum actuation speed | 0.33 ft/s (0.1 m/s) |
| Maximum operating rate | 60 cyc/mn |
| Mechanical durability | 400000 cycles |
| Switching operation per hour | 3600 |
| Width | 1.18 in (30.0 mm) |
| Height | 4.25 in (108 mm) |
| Depth | 0.63 in (16.0 mm) |
| Product Weight | 0.18 lb(US) (0.082 kg) |

The information provided in this documentation contains general descriptions and/or technical characteristics of the performance of the products contained herein. This documentation is not intended as a substitute for and is not to be used for determining suitability or reliability of these products for specific user applications. It is the duty of any such user or integrator to perform the appropriate and complete risk analysis, evaluation and testing of the products with respect to the relevant specific application or use thereof. Neither Schneider Electric Industries SAS nor any of its affiliates or subsidiaries shall be responsible or liable for misuse of the information contained herein.

Environment

| | |
|---------------------------------------|---|
| Electromagnetic compatibility | Radiated emission Immunity for industrial environments Susceptibility to electromagnetic fields 3 V/m 80...2700 MHz, distance = 20 m) Susceptibility to electromagnetic fields 10 V/m 80...2000 MHz) Electrostatic discharge immunity test 6 kV on contact (on metal parts)) Electrostatic discharge immunity test 8 kV in free air (in insulating parts)) |
| Shock resistance | 50 gn 11 ms IEC 60068-2-27 |
| Vibration resistance | 25 gn 10...500 Hz)IEC 60068-2-6 +/- 10 mm 2...11 Hz)IEC 60068-2-6 |
| IP degree of protection | IP65 conforming to IEC 60529 |
| IK degree of protection | IK04 EN 50102 |
| Ambient Air Temperature for Operation | -13...131 °F (-25...55 °C) |
| Ambient Air Temperature for Storage | -40...158 °F (-40...70 °C) |
| Directives | 1999/5/EC - R&TTE directive 2004/108/EC - electromagnetic compatibility |
| Standards | EN/IEC 60947-1 EN/IEC 60947-5-1 |
| Radio agreement | IC RSS FCC RCM |

Ordering and shipping details

| | |
|-------------------|--|
| Category | 22412-LIMIT SWITCHES,IEC,XCKW WIRELESS |
| Discount Schedule | T |
| GTIN | 3389110000252 |
| Returnability | No |
| Country of origin | FR |

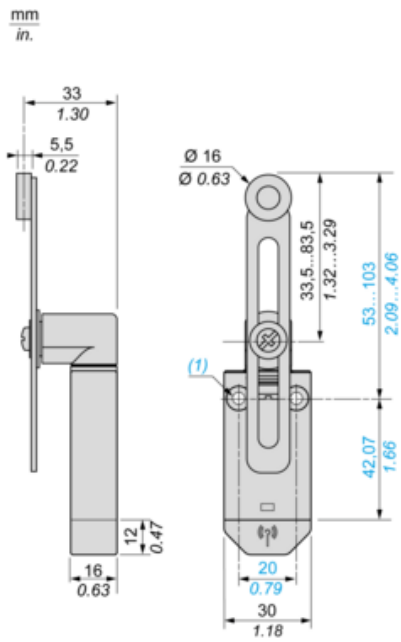
Packing Units

| | |
|------------------------------|-------------------|
| Unit Type of Package 1 | PCE |
| Number of Units in Package 1 | 1 |
| Package 1 Height | 1.26 in (3.2 cm) |
| Package 1 Width | 1.85 in (4.7 cm) |
| Package 1 Length | 5.00 in (12.7 cm) |
| Package 1 Weight | 4.23 oz (120.0 g) |

Offer Sustainability

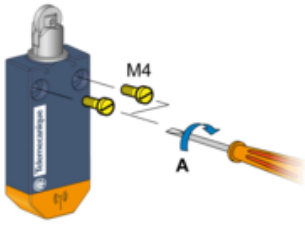
| | |
|----------------------------|---|
| Sustainable offer status | Green Premium product |
| California proposition 65 | WARNING: This product can expose you to chemicals including: Diisononyl phthalate (DINP), which is known to the State of California to cause cancer, and Di-isodecyl phthalate (DIDP), which is known to the State of California to cause birth defects or other reproductive harm. For more information go to www.P65Warnings.ca.gov |
| REACH Regulation | REACH Declaration |
| EU RoHS Directive | Pro-active compliance (Product out of EU RoHS legal scope) EU RoHS Declaration |
| Mercury free | Yes |
| RoHS exemption information | Yes |
| Environmental Disclosure | Product Environmental Profile |
| Circularity Profile | End Of Life Information |

Dimensions



(1) : 2 fixing holes Ø 4.2 mm (Ø 0.17 in.)

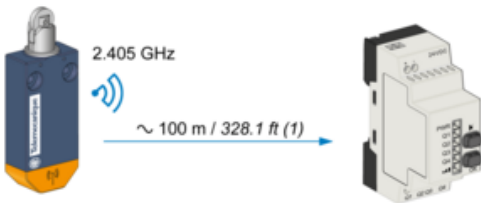
Screw Mounting



A = 1 Nm ± 0.1

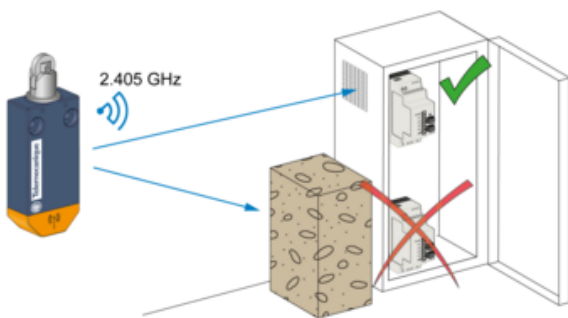
A = 8.85 lb.in. ± 0.89

Unobstructed Mounting

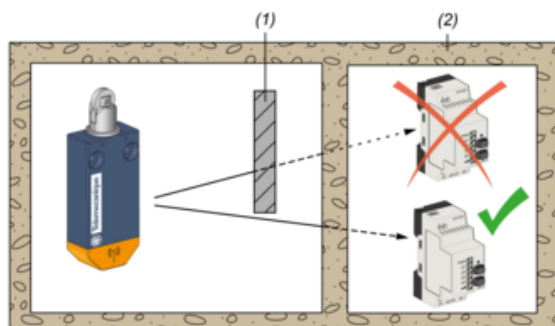


(1) : Typical values that may be modified by the application environment.

Mounting in a Metal Cabinet



Signal Attenuation According to the Material



(1) : Metal structure

(2) : Wall

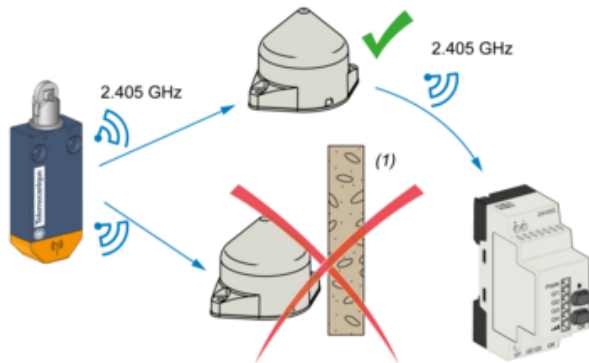
(3) : Values for indication purposes only

NOTE: Actual values depend on the thickness and nature of the material.

| Material | Signal attenuation (%) |
|-----------------|------------------------|
| Glass window | 10...20% (3) |
| Plaster wall | 20...45% (3) |
| Brick wall | 60% (3) |
| Concrete wall | 70...80% (3) |
| Metal structure | 50...100% (3) |

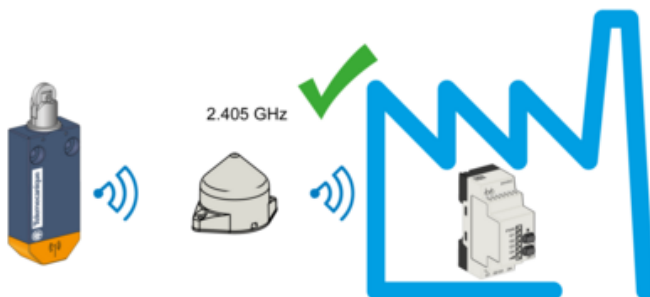
Mounting Tips for Antenna

Optimized Installation



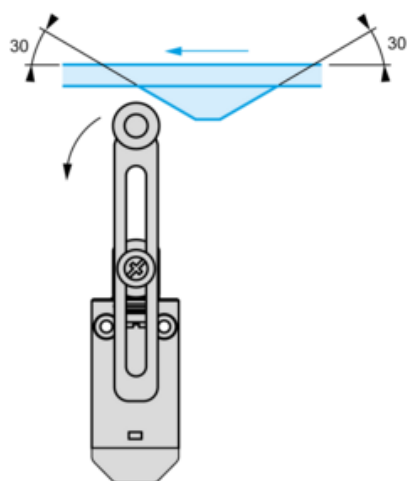
(1) : Obstacle

The Relay Antenna is used to Bypass an Obstacle and/or Increase the Range

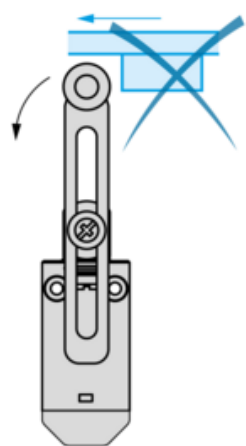


Mounting with Adjustable Roller Lever

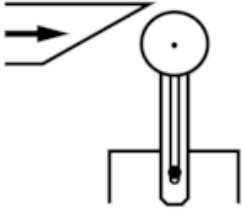
Recommended Mounting



Mounting to be Avoided

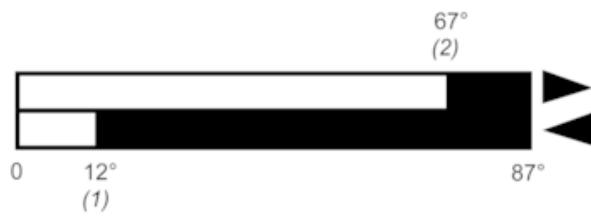


Characteristics of Actuation



Technical Description

Functional Diagram, Travel Distance



- (1) : Reset
- (2) : Set