

# Product data sheet

Specifications

SQUARE D

Green Premium™



Circuit breaker, PowerPacT Q,  
125A, 3 pole, 240VAC, 65kA, lugs,  
thermal magnetic, 80%

QGL32125

Product availability : Stock - Normally stocked in distribution facility

**Price\* : 2,442.00 USD**

## Main

|                           |                 |
|---------------------------|-----------------|
| Range                     | PowerPact       |
| Product name              | PowerPact Q     |
| Product or Component Type | Circuit breaker |
| Device Application        | Distribution    |

## Complementary

|  |  |
|--|--|
| Line Rated Current                     | 125 A  |
| Number of Poles                        | 3P   |
| Control Type                           | Operating handle   |
| Breaking capacity code                 | G  |
| Breaking capacity                      | 65 kA 120/208 V AC 50/60 Hz UL<br>65 kA 240 V AC 50/60 Hz UL                                       |
| [Ue] rated operational voltage         | 240 V AC 50/60 Hz UL   |
| Network Frequency                      | 50/60 Hz   |
| [Uimp] rated impulse withstand voltage | 8 kV UL  |
| Trip unit technology                   | Thermal-magnetic   |
| Magnetic tripping current              | 2400 A   |
| Magnetic hold current                  | 1200 A   |
| Continuous current rating              | 80 %   |
| Utilisation category                   | Category A   |
| Mechanical durability                  | 1000 cycles loaded<br>5000 cycles no load  |
| Local signalling                       | 1 trip indicator (green)   |
| Mounting mode                          | Unit mount (lug)   |
| Mounting Support                       | Lug  |
| Electrical connection                  | Lugs load<br>Lugs line   |
| Tightening torque                      | 247.82 lbf.in (28 N.m) 0.04...0.23 in <sup>2</sup> (25...150 mm <sup>2</sup> ) (AWG 4...300 kcmil) |
| Power wire stripping length            | 0.87 in (22 mm)  |

\* Price is "List Price" and may be subject to a trade discount – check with your local distributor or retailer for actual price.

|                             |                     |
|-----------------------------|---------------------|
| Height                      | 6.47 in (164.34 mm) |
| Width                       | 4.5 in (114.30 mm)  |
| Depth                       | 3.93 in (99.82 mm)  |
| Circuit breaker application | HACR rated          |

## Environment

|                                       |  |
|---------------------------------------|--|
| Standards                             | UL<br>CSA<br>NEMA<br>NOM-003-SCFI-2000 |
| Product certifications                | UL<br>CSA<br>NOM                       |
| Ambient Air Temperature for Operation | 104...158 °F (40...70 °C)              |

## Ordering and shipping details

|                   |                                 |
|-------------------|---------------------------------|
| Category          | 00023-QO,Q2L 3P ENCL & BREAKERS |
| Discount Schedule | DE2                             |
| GTIN              | 785901705680                    |
| Returnability     | Yes                             |
| Country of origin | MX                              |

## Packing Units

|                              |                       |
|------------------------------|-----------------------|
| Unit Type of Package 1       | PCE                   |
| Number of Units in Package 1 | 1                     |
| Package 1 Height             | 6.18 in (15.7 cm)     |
| Package 1 Width              | 6.18 in (15.7 cm)     |
| Package 1 Length             | 9.69 in (24.6 cm)     |
| Package 1 Weight             | 4.74 lb(US) (2.15 kg) |

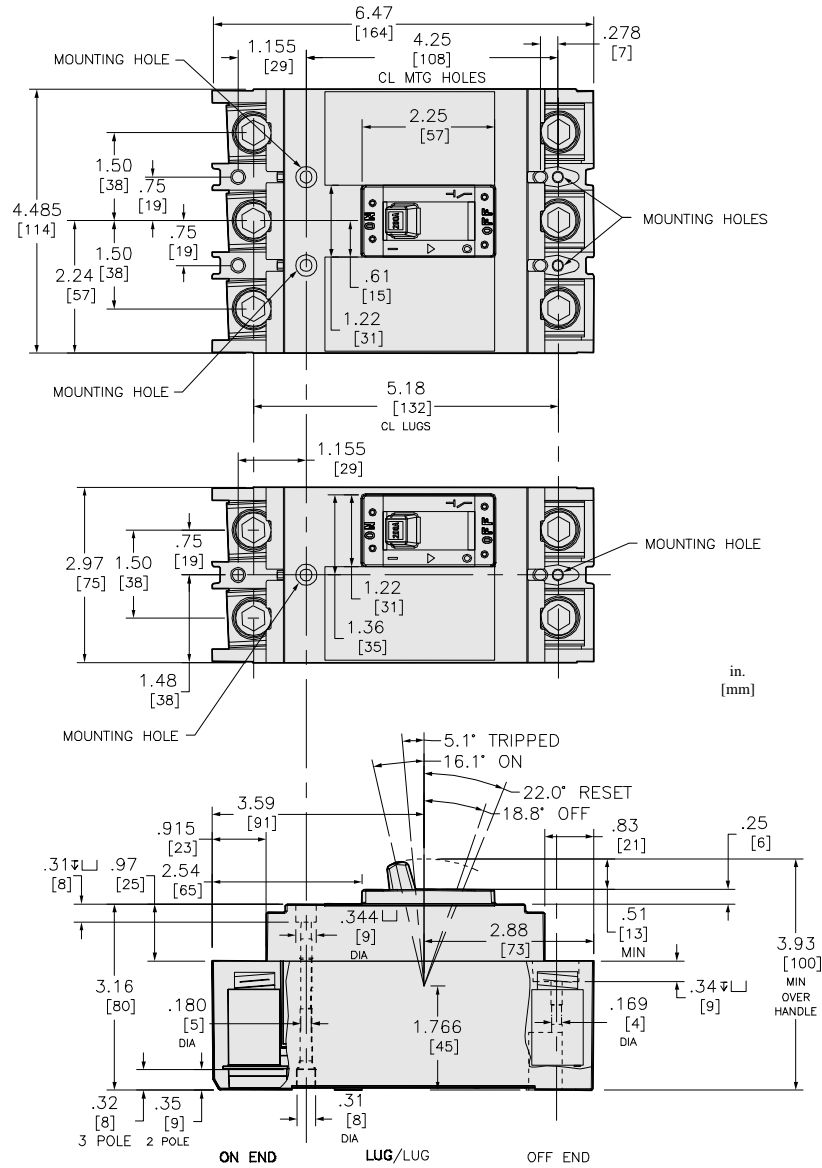
## Offer Sustainability

|                             |  |
|-----------------------------|--|
| Sustainable offer status    | Green Premium product  |
| California proposition 65   | WARNING: This product can expose you to chemicals including: DINP, which is known to the State of California to cause cancer, and DIDP, which is known to the State of California to cause birth defects or other reproductive harm. For more information go to <a href="http://www.P65Warnings.ca.gov">www.P65Warnings.ca.gov</a> |
| REACH Regulation            | <a href="#">REACH Declaration</a>  |
| REACH free of SVHC          | Yes  |
| EU RoHS Directive           | Compliant<br><a href="#">EU RoHS Declaration</a>   |
| Mercury free                | Yes  |
| China RoHS Regulation       | <a href="#">China RoHS declaration</a><br>Product out of China RoHS scope. Substance declaration for your information.   |
| RoHS exemption information  | <a href="#">Yes</a>  |
| Environmental Disclosure    | <a href="#">Product Environmental Profile</a>  |
| PVC free                    | Yes  |
| Halogen content performance | Halogen free product   |

## Contractual warranty

|          |           |
|----------|-----------|
| Warranty | 18 months |
|----------|-----------|

Dimensions



ALL DIMENSIONS ARE APPROXIMATE.  
 ALSO SEE TECHNICAL DRAWINGS AND DOCUMENTATION.

Recommended replacement(s)