

# Product data sheet

Specifications



## Variable speed drive, Altivar Process ATV900, ATV930, 220 kW, 400/480 V, with braking unit, IP00

ATV930C22N4

**Product availability : Stock - Normally stocked in distribution facility**

**Price\* : 24,936.00 USD**

### Main

<b>Range of Product</b>	Altivar Process ATV900
<b>Device Application</b>	Industrial Application
<b>Product or Component Type</b>	Variable speed drive
<b>Product destination</b>	Asynchronous motors Synchronous motors
<b>Product Specific Application</b>	Process for industrial
<b>Variant</b>	Standard version With braking chopper
<b>Phase</b>	3 phase
<b>Mounting Mode</b>	Wall mount
<b>Communication port protocol</b>	Modbus serial Modbus TCP EtherNet/IP
<b>[Us] rated supply voltage</b>	380...480 V - 15...10 %
<b>Motor power kW</b>	220.0 kW normal duty 160.0 kW heavy duty
<b>Maximum Horse Power Rating</b>	350.0 hp normal duty 250.0 hp heavy duty
<b>Continuous output current</b>	302 A 2.5 kHz heavy duty 427 A 2.5 kHz normal duty
<b>EMC filter</b>	Integrated With EMC plate option
<b>IP degree of protection</b>	IP00
<b>Degree of protection</b>	UL type 1
<b>Option module</b>	Slot A communication module Profibus DP V1 Slot A communication module PROFINET Slot A communication module DeviceNet Slot A communication module EtherCAT Slot A communication module CANopen daisy chain RJ45 Slot A communication module CANopen SUB-D 9 Slot A communication module CANopen screw terminals Slot A/slot B/slot C digital and analog I/O extension module Slot A/slot B/slot C output relay extension module Slot B 5/12 V digital encoder interface module Slot B analog encoder interface module Slot B resolver encoder interface module communication module Ethernet Powerlink
<b>Discrete input logic</b>	16 preset speeds
<b>Asynchronous motor control profile</b>	Constant torque standard Variable torque standard

\* Price is "List Price" and may be subject to a trade discount – check with your local distributor or retailer for actual price.

	Optimized torque mode
<b>Synchronous motor control profile</b>	Permanent magnet motor Synchronous reluctance motor
<b>Maximum output frequency</b>	599 Hz
<b>Switching frequency</b>	1...8 kHz adjustable 2.5...8 kHz with derating factor
<b>Nominal switching frequency</b>	2.5 kHz
<b>Line current</b>	397.0 A 380 V normal duty) 296.0 A 380 V heavy duty) 324.0 A 480 V normal duty) 246.0 A 480 V heavy duty)
<b>Apparent power</b>	247 kVA 480 V normal duty) 187 kVA 480 V heavy duty)
<b>Maximum transient current</b>	453 A 60 s heavy duty) 512 A 60 s normal duty)
<b>Network Frequency</b>	50-60 Hz
<b>Prospective line Isc</b>	50 kA
<b>Complementary</b>	
<b>Discrete input number</b>	10
<b>Discrete input type</b>	DI1...DI8 programmable, 24 V DC <= 30 V)3.5 kOhm DI7, DI8 programmable as pulse input 0...30 kHz, 24 V DC <= 30 V) STOA, STOB safe torque off, 24 V DC <= 30 V)> 2.2 kOhm
<b>Discrete output number</b>	2
<b>Discrete output type</b>	Logic output DQ+ 0...1 kHz <= 30 V DC 100 mA Programmable as pulse output DQ+ 0...30 kHz <= 30 V DC 20 mA Logic output DQ- 0...1 kHz <= 30 V DC 100 mA
<b>Analogue input number</b>	3
<b>Analogue input type</b>	AI1, AI2, AI3 software-configurable voltage 0...10 V DC 30 kOhm 12 bits AI1, AI2, AI3 software-configurable current 0...20 mA/4...20 mA 250 Ohm 12 bits
<b>Analogue output number</b>	2
<b>Analogue output type</b>	Software-configurable voltage AQ1, AQ2 0...10 V DC 470 Ohm 10 bits Software-configurable current AQ1, AQ2 0...20 mA 500 Ohm 10 bits
<b>Relay output number</b>	3
<b>Relay output type</b>	Configurable relay logic R1 fault relay NO/NC 100000 cycles Configurable relay logic R2 sequence relay NO 1000000 cycles Configurable relay logic R3 sequence relay NO 1000000 cycles
<b>Maximum switching current</b>	Relay output R1 resistive, cos phi = 1 3 A 250 V AC Relay output R1 resistive, cos phi = 1 3 A 30 V DC Relay output R1 inductive, cos phi = 0.4 7 ms 2 A 250 V AC Relay output R1 inductive, cos phi = 0.4 7 ms 2 A 30 V DC Relay output R2, R3 resistive, cos phi = 1 5 A 250 V AC Relay output R2, R3 resistive, cos phi = 1 5 A 30 V DC Relay output R2, R3 inductive, cos phi = 0.4 7 ms 2 A 250 V AC Relay output R2, R3 inductive, cos phi = 0.4 7 ms 2 A 30 V DC
<b>Minimum switching current</b>	Relay output R1, R2, R3 5 mA 24 V DC
<b>Physical interface</b>	Ethernet 2-wire RS 485
<b>Connector Type</b>	2 RJ45 1 RJ45
<b>Method of access</b>	Slave Modbus TCP
<b>Transmission Rate</b>	10, 100 Mbits 4.8 kbps 9600 bit/s 19200 bit/s
<b>Transmission frame</b>	RTU
<b>Number of addresses</b>	1...247
<b>Data format</b>	8 bits, configurable odd, even or no parity

Type of polarization	No impedance
4 quadrant operation possible	True
Acceleration and deceleration ramps	Linear adjustable separately from 0.01...9999 s
Motor slip compensation	Adjustable Automatic whatever the load Not available in permanent magnet motor law Can be suppressed
Braking to standstill	By DC injection
Brake chopper integrated	True
Maximum Input Current per Phase	397.0 A
Maximum output voltage	480.0 V
Relative symmetric network frequency tolerance	5 %
Base load current at high overload	302.0 A
Base load current at low overload	427.0 A
Power dissipation in W	Forced convection 5030 W 380 V 2.5 kHz Natural convection 451 W 380 V 2.5 kHz
With safety function Safely Limited Speed (SLS)	True
With safety function Safe brake management (SBC/SBT)	True
With safety function Safe Operating Stop (SOS)	False
With safety function Safe Position (SP)	False
With safety function Safe programmable logic	False
With safety function Safe Speed Monitor (SSM)	False
With safety function Safe Stop 1 (SS1)	True
With sft fct Safe Stop 2 (SS2)	False
With safety function Safe torque off (STO)	True
With safety function Safely Limited Position (SLP)	False
With safety function Safe Direction (SDI)	False
Protection type	Thermal protection motor Safe torque off motor Motor phase break motor Thermal protection drive Safe torque off drive Overheating drive Overcurrent between output phases and earth drive Overload of output voltage drive Short-circuit protection drive Motor phase break drive Overvoltages on the DC bus drive Line supply overvoltage drive Line supply undervoltage drive Line supply phase loss drive Overspeed drive Break on the control circuit drive
Quantity per Set	1
Width	17.32 in (440 mm)

<b>Height</b>	47.05 in (1195 mm)
<b>Depth</b>	14.96 in (380 mm)
<b>Net Weight</b>	379.20 lb(US) (172 kg)
<b>Electrical connection</b>	Control screw terminal 0.5...1.5 mm <sup>2</sup> AWG 20...AWG 16 Line side screw terminal 2 x 150 mm <sup>2</sup> 2 x 350 kcmil Motor screw terminal 2 x 150 mm <sup>2</sup> 2 x 350 kcmil DC bus screw terminal 2 x 150 mm <sup>2</sup> 2 x 350 kcmil  10/100 Mbit/s Ethernet IP/Modbus TCP 4.8, 9.6, 19.2, 38.4 kbit/s Modbus serial
<b>Exchange mode</b>	Half duplex, full duplex, autonegotiation Ethernet IP/Modbus TCP
<b>Data format</b>	8 bits, configurable odd, even or no parity Modbus serial
<b>Type of polarization</b>	No impedance Modbus serial
<b>Number of addresses</b>	1...247 Modbus serial
<b>Supply</b>	External supply for digital inputs 24 V DC 19...30 V), <1.25 mA overload and short-circuit protection Internal supply for reference potentiometer (1 to 10 kOhm) 10.5 V DC +/- 5 %, <10 mA overload and short-circuit protection Internal supply for digital inputs and STO 24 V DC 21...27 V), <200 mA overload and short-circuit protection
<b>Local signalling</b>	Local diagnostic 3 LED mono/dual colour) Presence of voltage 1 LED red) Embedded communication status 3 LED dual colour) Communication module status 4 LED dual colour)
<b>Input compatibility</b>	DI1...DI8 discrete input level 1 PLC EN/IEC 61131-2 DI7, DI8 pulse input level 1 PLC IEC 65A-68 STOA, STOB discrete input level 1 PLC EN/IEC 61131-2
<b>Discrete input logic</b>	Positive logic (source) DI1...DI8), < 5 V, > 11 V Negative logic (sink) DI1...DI8), > 16 V, < 10 V Positive logic (source) DI7, DI8), < 0.6 V, > 2.5 V Positive logic (source) STOA, STOB), < 5 V, > 11 V
<b>Sampling duration</b>	2 ms +/- 0.5 ms DI1...DI8) - discrete input 5 ms +/- 1 ms DI7, DI8) - pulse input 1 ms +/- 1 ms AI1, AI2, AI3) - analog input 5 ms +/- 1 ms AQ1, AQ2) - analog output
<b>Accuracy</b>	+/- 0.6 % AI1, AI2, AI3 for a temperature variation 60 °C analog input +/- 1 % AQ1, AQ2 for a temperature variation 60 °C analog output
<b>Linearity error</b>	AI1, AI2, AI3 +/- 0.15 % of maximum value analog input AQ1, AQ2 +/- 0.2 % analog output
<b>Refresh time</b>	Relay output R1, R2, R3)5 ms +/- 0.5 ms)
<b>Isolation</b>	Between power and control terminals
<b>Environment</b>	
<b>Operating altitude</b>	<= 3280.84 ft (1000 m) without derating 3280.84...9842.52 ft (1000...3000 m) with current derating 1 % per 100 m
<b>Operating position</b>	Vertical +/- 10 degree
<b>Product Certifications</b>	CSA TÜV UL
<b>Marking</b>	CE
<b>Standards</b>	UL 508C EN/IEC 61800-3 EN/IEC 61800-5-1 IEC 61000-3-12 IEC 60721-3 IEC 61508 IEC 13849-1
<b>Maximum THDI</b>	<48 % full load IEC 61000-3-12
<b>Assembly style</b>	Enclosed
<b>Electromagnetic compatibility</b>	Electrostatic discharge immunity test level 3 IEC 61000-4-2 Radiated radio-frequency electromagnetic field immunity test level 3 IEC 61000-4-3 Electrical fast transient/burst immunity test level 4 IEC 61000-4-4 1.2/50 µs - 8/20 µs surge immunity test level 3 IEC 61000-4-5 Conducted radio-frequency immunity test level 3 IEC 61000-4-6

<b>Environmental class (during operation)</b>	Class 3C3 according to IEC 60721-3-3 Class 3S3 according to IEC 60721-3-3
<b>Maximum acceleration under shock impact (during operation)</b>	150 m/s <sup>2</sup> at 11 ms
<b>Maximum acceleration under vibrational stress (during operation)</b>	10 m/s <sup>2</sup> at 13...200 Hz
<b>Maximum deflection under vibratory load (during operation)</b>	1.5 mm at 2...13 Hz
<b>Permitted relative humidity (during operation)</b>	Class 3K5 according to EN 60721-3
<b>Volume of cooling air</b>	227192.03 Gal/hr(US) (860 m <sup>3</sup> /h)
<b>Overvoltage category</b>	III
<b>Regulation loop</b>	Adjustable PID regulator
<b>Insulation resistance</b>	> 1 MOhm 500 V DC for 1 minute to earth
<b>Noise level</b>	73 dB 86/188/EEC
<b>Vibration resistance</b>	1.5 mm peak to peak 2...13 Hz)IEC 60068-2-6 1 gn 13...200 Hz)IEC 60068-2-6
<b>Shock resistance</b>	15 gn 11 ms IEC 60068-2-27
<b>Environmental characteristic</b>	Chemical pollution resistance class 3C2 EN/IEC 60721-3-3 Dust pollution resistance class 3S2 EN/IEC 60721-3-3
<b>Relative humidity</b>	5...95 % without condensation IEC 60068-2-3
<b>Ambient air temperature for operation</b>	14...104 °F (-10...40 °C) without derating) 104...140 °F (40...60 °C) with derating factor)
<b>Noise level</b>	73 dB
<b>Pollution degree</b>	2
<b>Ambient air transport temperature</b>	-13...158 °F (-25...70 °C)
<b>Ambient Air Temperature for Storage</b>	-13...158 °F (-25...70 °C)

## Ordering and shipping details

<b>Category</b>	22278-ATV930 FRAMES 5 & 6
<b>Discount Schedule</b>	CP4E
<b>GTIN</b>	3606481154743
<b>Returnability</b>	Yes
<b>Country of origin</b>	CN

## Packing Units

<b>Unit Type of Package 1</b>	PCE
<b>Number of Units in Package 1</b>	1
<b>Package 1 Height</b>	25.98 in (66 cm)
<b>Package 1 Width</b>	23.62 in (60 cm)
<b>Package 1 Length</b>	55.51 in (141 cm)
<b>Package 1 Weight</b>	403.45 lb(US) (183 kg)
<b>Unit Type of Package 2</b>	PAL
<b>Number of Units in Package 2</b>	1
<b>Package 2 Height</b>	25.98 in (66 cm)

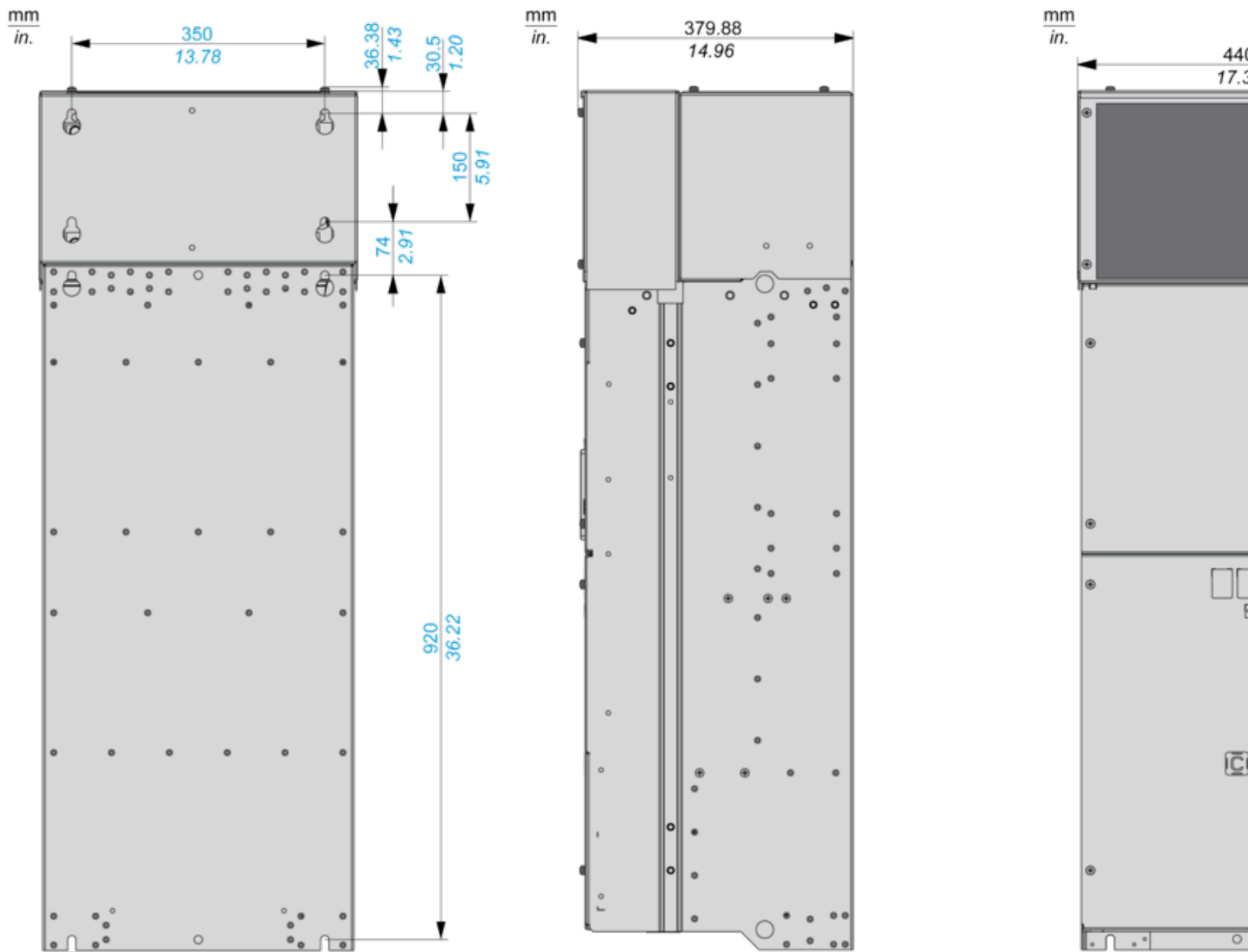
<b>Package 2 Width</b>	23.62 in (60 cm)
<b>Package 2 Length</b>	55.51 in (141 cm)
<b>Package 2 Weight</b>	403.45 lb(US) (183 kg)
<b>Package 3 Height</b>	25.98 in (66.0 cm)

## Offer Sustainability

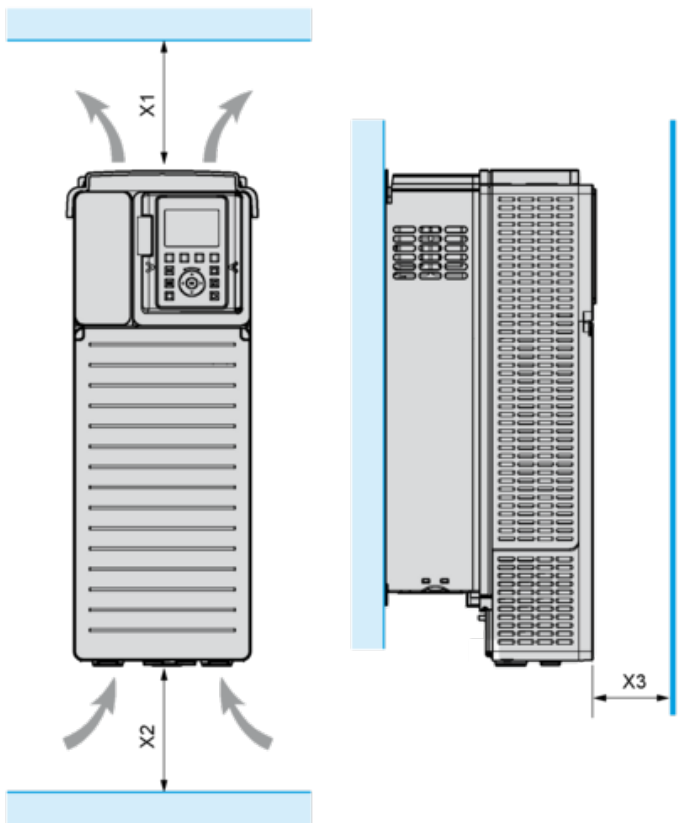
<b>California proposition 65</b>	WARNING: This product can expose you to chemicals including: Lead and lead compounds, which is known to the State of California to cause cancer and birth defects or other reproductive harm. For more information go to <a href="http://www.P65Warnings.ca.gov">www.P65Warnings.ca.gov</a>
<b>REACH Regulation</b>	<a href="#">REACH Declaration</a>
<b>EU RoHS Directive</b>	Pro-active compliance (Product out of EU RoHS legal scope) <a href="#">EU RoHS Declaration</a>
<b>Mercury free</b>	Yes
<b>China RoHS Regulation</b>	<a href="#">China RoHS declaration</a>
<b>RoHS exemption information</b>	Yes
<b>WEEE</b>	The product must be disposed on European Union markets following specific waste collection and never end up in rubbish bins.
<b>Upgradeability</b>	Upgraded components available

Dimensions

Rear, Right and Front View



**Clearances**

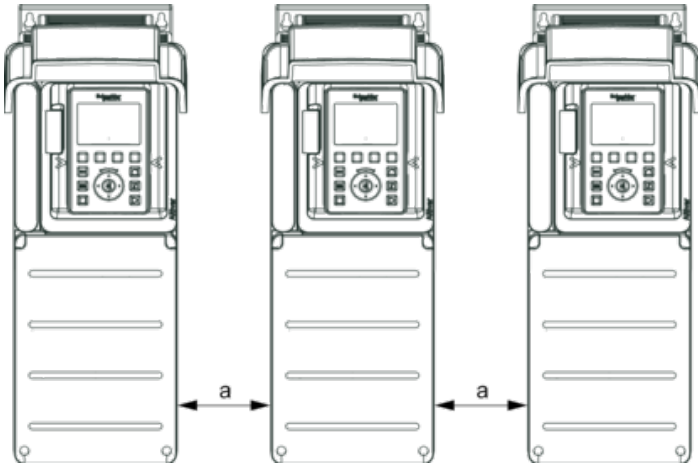


X1	X2	X3
≥ 200 mm (7.87 in.)	≥ 150 mm (5.91 in.)	≥ 10 mm (0.39 in.)



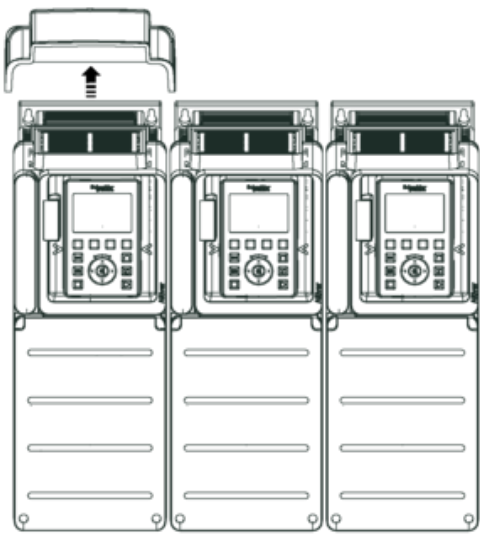
Mounting Types

Mounting Type A: Individual IP21

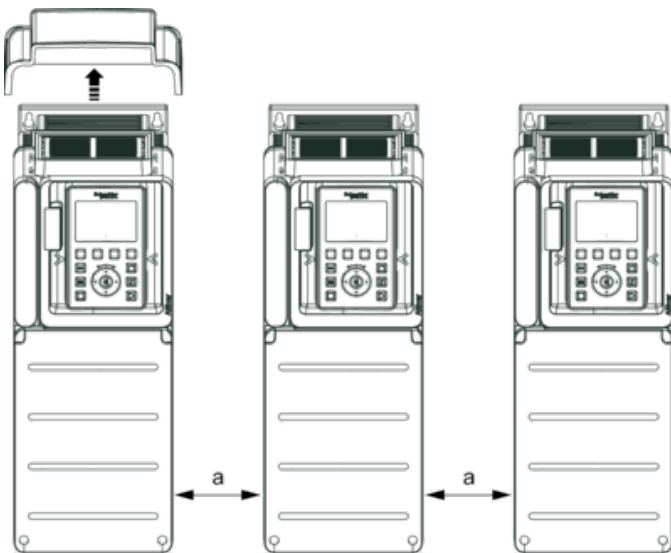


$a \geq 0$

Mounting Type B: Side by Side IP20



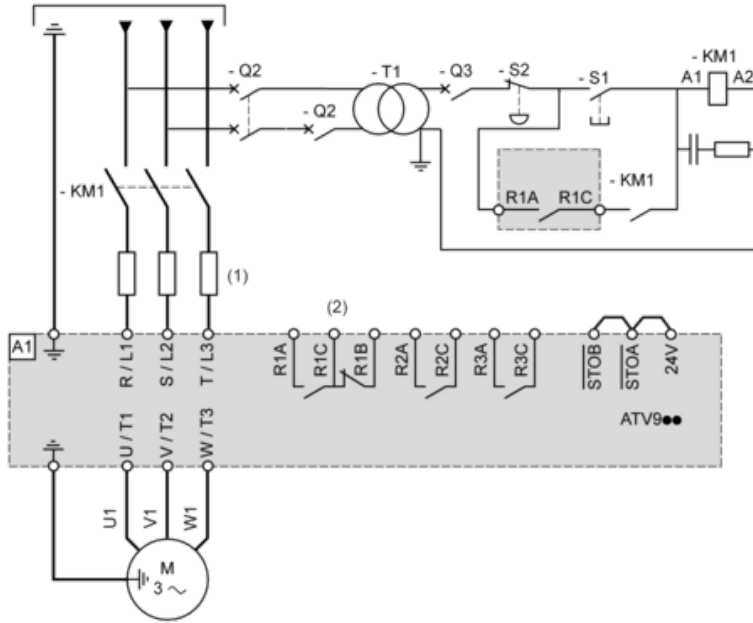
Mounting Type C: Individual IP20



$a \geq 0$

**Three-Phase Power Supply with Upstream Breaking via Line Contactor**

Connection diagrams conforming to standards EN 954-1 category 1 and IEC/EN 61508 capacity SIL1, stopping category 0 in accordance with standard IEC/EN 60204-1



(1) Line choke if used

(2) Use relay R1 set to operating state Fault to switch Off the product once an error is detected.

A1 : Drive

KM1 : Line Contactor

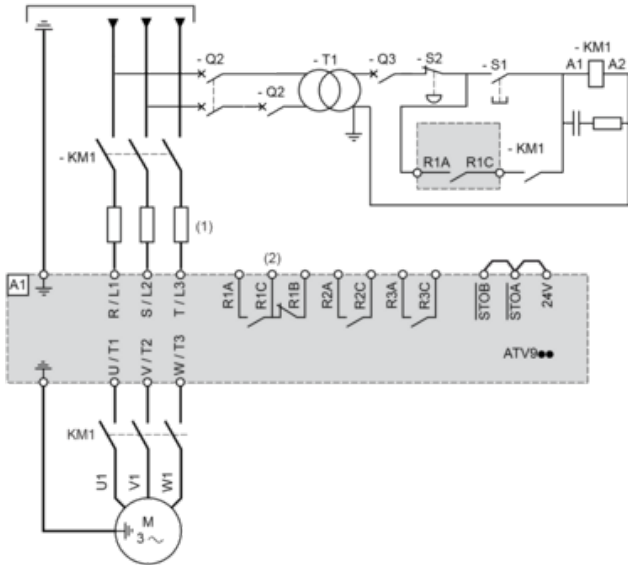
Q2, Q3 : Circuit breakers

S1, S2 : Pushbuttons

T1 : Transformer for control part

**Three-Phase Power Supply with Downstream Breaking via Contactor**

Connection diagrams conforming to standards EN 954-1 category 1 and IEC/EN 61508 capacity SIL1, stopping category 0 in accordance with standard IEC/EN 60204-1



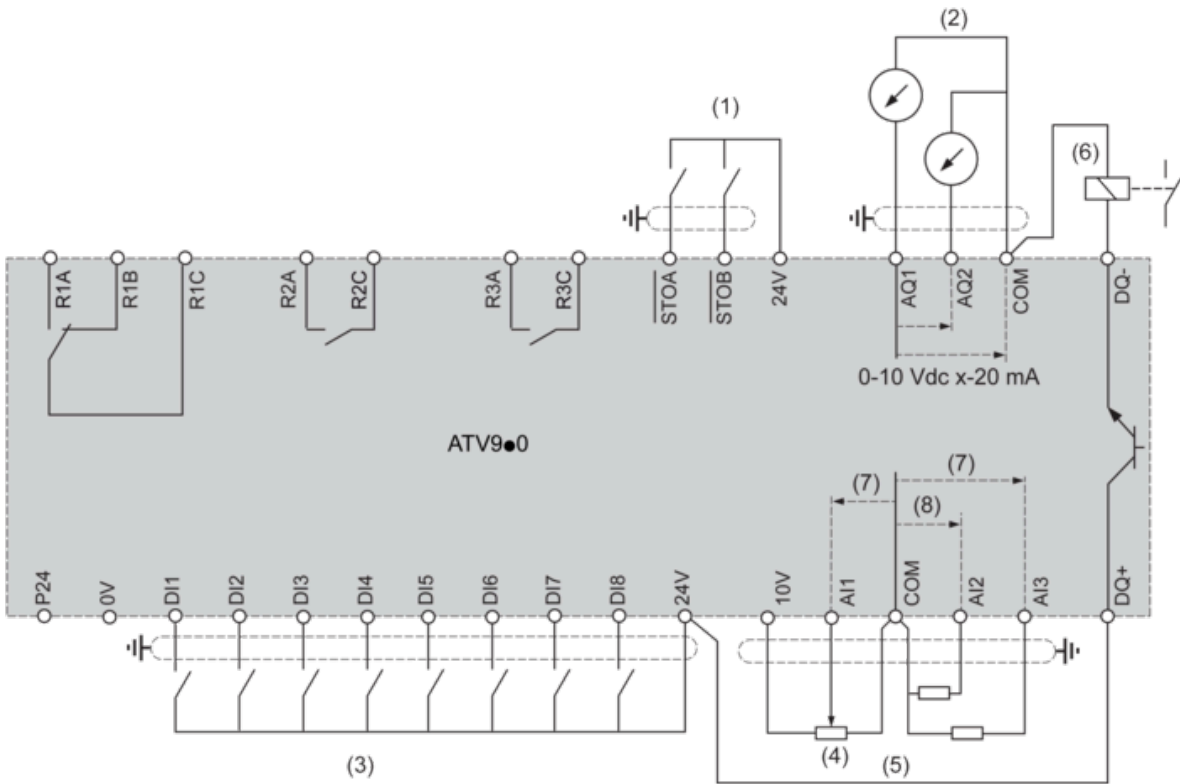
(1) Line choke if used

(2) Use relay R1 set to operating state Fault to switch Off the product once an error is detected.

A1 : Drive

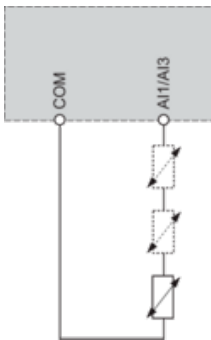
KM1 : Contactor

**Control Block Wiring Diagram**



- (1) Safe Torque Off
  - (2) Analog Output
  - (3) Digital Input
  - (4) Reference potentiometer
  - (5) Analog Input
  - (6) Digital Output
  - (7) 0-10 Vdc, x-20 mA
  - (8) 0-10 Vdc, -10 Vdc...+10 Vdc
- R1A, R1B, R1C** : Fault relay  
**R2A, R2C** : Sequence relay  
**R3A, R3C** : Sequence relay

**Sensor Connection**



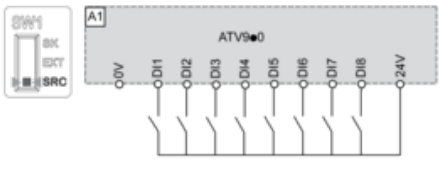
It is possible to connect either 1 or 3 sensors on terminals AI1 or AI3

## Sink / Source Switch Configuration

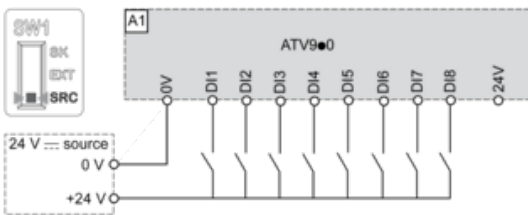
The switch is used to adapt the operation of the logic inputs to the technology of the programmable controller outputs.

- Set the switch to Source (factory setting) if using PLC outputs with PNP transistors.
- Set the switch to Ext if using PLC outputs with NPN transistors.

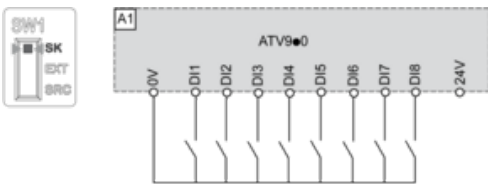
### Switch Set to SRC (Source) Position Using the Output Power Supply for the Digital Inputs



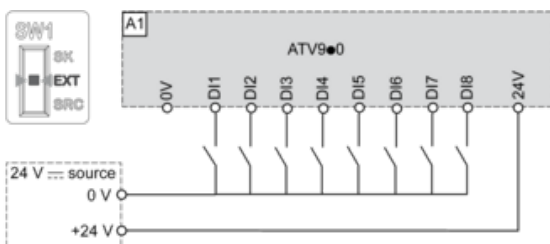
### Switch Set to SRC (Source) Position and Use of an External Power Supply for the DIs



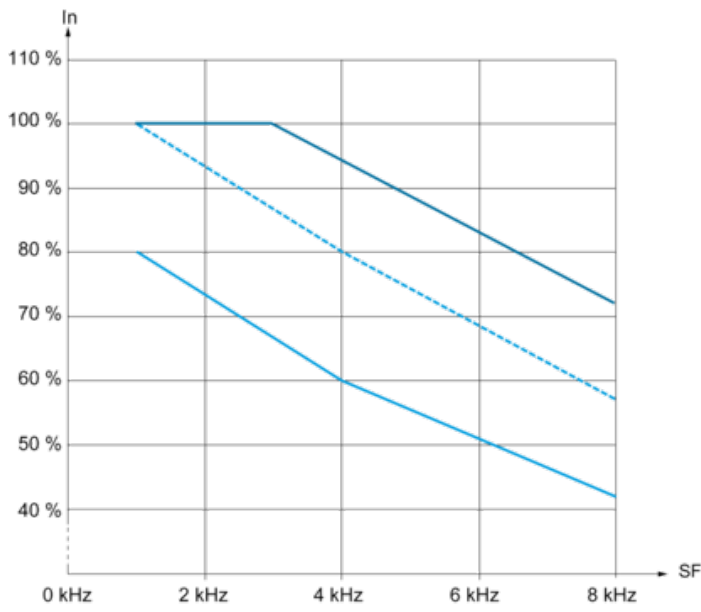
### Switch Set to SK (Sink) Position Using the Output Power Supply for the Digital Inputs



### Switch Set to EXT Position Using an External Power Supply for the DIs



Derating Curves



- 40 °C (104 °F)
- - - 50 °C (113 °F)
- 60 °C (140 °F)

In : Nominal Drive Current

SF : Switching Frequency

Recommended replacement(s)