

# Product data sheet

Specifications

SQUARE D

Green Premium™



Panelboard interior, NQ, main lugs, 225A, Cu bus, 42 pole spaces, 3 phase, 4 wire, 240VAC, 48VDC

NQ442L2C

Product availability : Stock - Normally stocked in distribution facility

Price\* : 1,551.00 USD

## Main

Panelboard Type	Main lugs
Product or Component Type	Interiors
Branch Circuit Breaker Type	QOB QOB-VH QHB
Busbar Material	Copper

## Complementary

Number of spaces	42
Enclosure Nominal Height	38 in (965.20 mm)
Enclosure Nominal Width	20 in (508.00 mm)
Enclosure Nominal Depth	5.75 in (146.05 mm) NEMA 1 6.5 in (165.10 mm) NEMA 3R/5/12
Line Rated Current	225 A
[Iu] rated interrupted current	10 kA 22 kA 65 kA
Wiring configuration	4-wire
Number of Phases	3 phase
Voltage Rating	240 V AC 48 V DC
Connections - terminals	Lug line AWG 6...350 kcmil aluminium Lug neutral AWG 6...350 kcmil aluminium
Tightening torque	40.01...50.01 lbf.in (4.52...5.65 N.m) 0.02...0.10 in <sup>2</sup> (13.30...67.43 mm <sup>2</sup> ) (AWG 6...AWG 2/0) 100.01 lbf.in (11.3 N.m) 0.02...0.10 in <sup>2</sup> (13.30...67.43 mm <sup>2</sup> ) (AWG 6...AWG 2/0) 274.99 lbf.in (31.07 N.m) 0.02...0.27 in <sup>2</sup> (13.30...177.3 mm <sup>2</sup> ) (AWG 6...350 kcmil) 274.99 lbf.in (31.07 N.m) 0.02...0.20 in <sup>2</sup> (13.30...126.7 mm <sup>2</sup> ) (AWG 6...250 kcmil) 274.99 lbf.in (31.07 N.m) 0.17...0.24 in <sup>2</sup> (107.2...152 mm <sup>2</sup> ) (AWG 4...300 kcmil)
Height	33.00 in (838.20 mm)
Width	10.44 in (265.18 mm)
Net Weight	19.36 lb(US) (8.78 kg)

## Environment

Standards	CSA UL
-----------	-----------

\* Price is "List Price" and may be subject to a trade discount – check with your local distributor or retailer for actual price.

## Ordering and shipping details

Category	09151-NQ RTA PANELBOARDS
Discount Schedule	PE1A
GTIN	785901507871
Returnability	Yes
Country of origin	MX

## Packing Units

Unit Type of Package 1	PCE
Number of Units in Package 1	1
Package 1 Height	6.30 in (16.0 cm)
Package 1 Width	14.17 in (36.0 cm)
Package 1 Length	38.58 in (98.0 cm)
Package 1 Weight	20.68 lb(US) (9.38 kg)

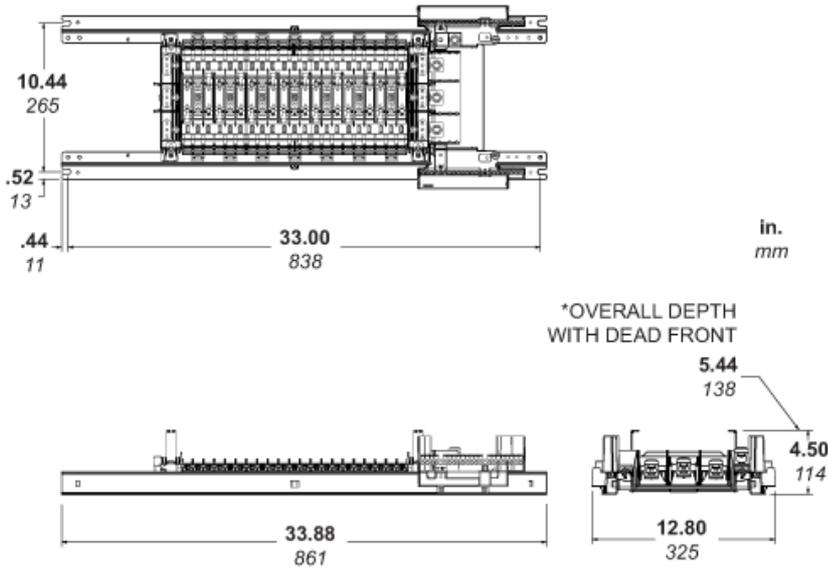
## Offer Sustainability

Sustainable offer status	Green Premium product
California proposition 65	WARNING: This product can expose you to chemicals including: Nickel compounds, which is known to the State of California to cause cancer, and Bisphenol A (BPA), which is known to the State of California to cause birth defects or other reproductive harm. For more information go to <a href="http://www.P65Warnings.ca.gov">www.P65Warnings.ca.gov</a>
REACH Regulation	<a href="#">REACH Declaration</a>
REACH free of SVHC	Yes
EU RoHS Directive	Compliant <a href="#">EU RoHS Declaration</a>
Toxic heavy metal free	Yes
Mercury free	Yes
RoHS exemption information	<a href="#">Yes</a>
China RoHS Regulation	<a href="#">China RoHS declaration</a> Product out of China RoHS scope. Substance declaration for your information.
Environmental Disclosure	<a href="#">Product Environmental Profile</a>

## Contractual warranty

Warranty	18 months
----------	-----------

**Approximate Dimensions**



Catalog	Phase/Wire	Bus Thickness	Bus Material	Lug Size
NQ442L2C	3P 4W	.25	CU	#6-350 KCMIL
NQ42L2C	1P 3W	.25	CU	#6-350 KCMIL
NQ442L2	3P 4W	.25	AL	#6-350 KCMIL
NQ42L2	1P 3W	.25	AL	#6-350 KCMIL

**Recommended replacement(s)**