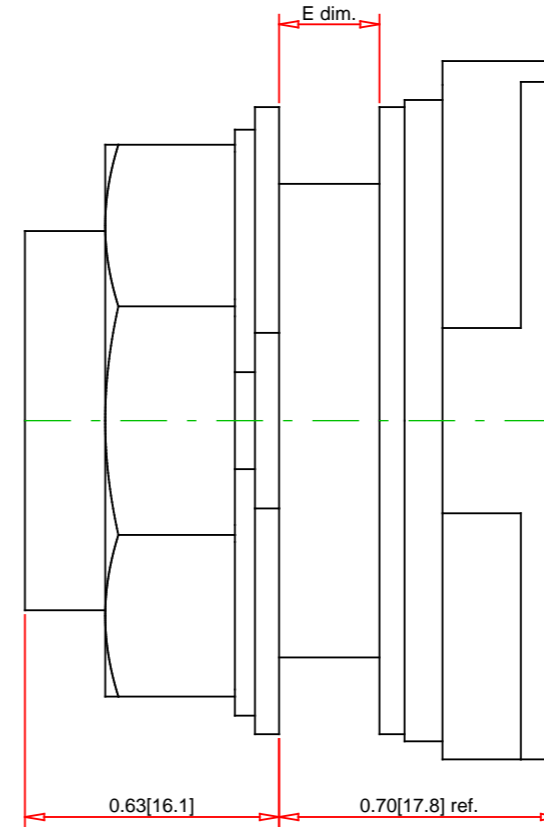
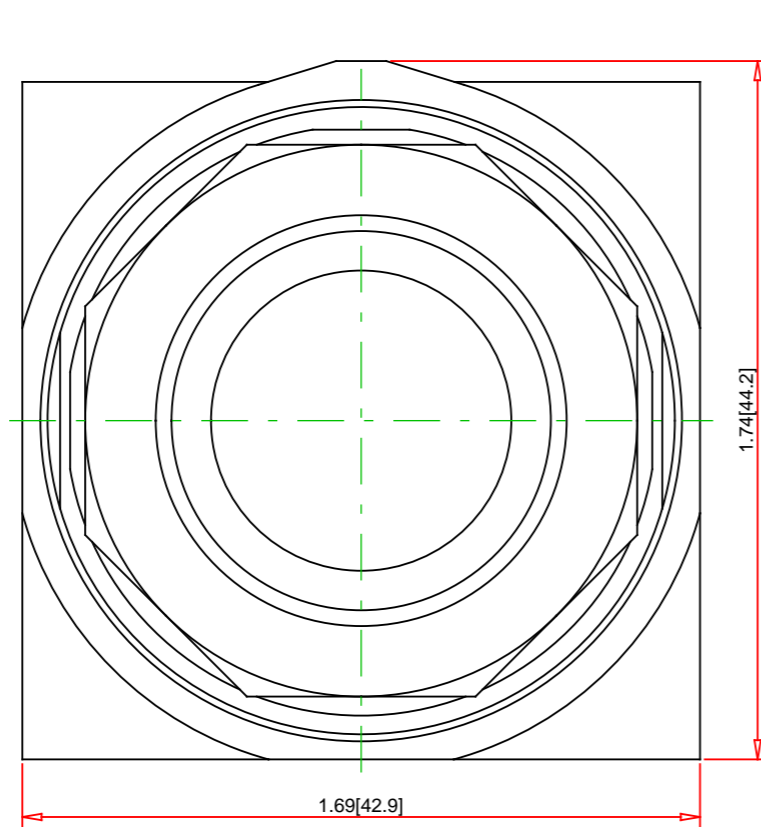


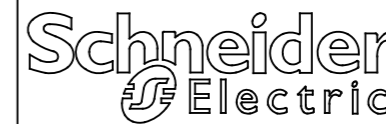
Panel Thickness E dim. inches (mm)	Number of Gasket
1/16 (1.6)	4
1/8 (3.2)	3
3/16 (4.8)	2
1/4 (6.4)	1



Note:  
 - Drawings Not To Scale  
 - Drawings Subject to Change Without Notice  
 - Dimensions are inches next to [Millimeters]

Part No.:

**9001SKR3B**



Schneider Electric United States  
 North American Division  
 Boston One Campus  
 800 Federal Street  
 Andover, MA 01810, USA  
 Phone: +1 8773425173  
 Email: CCC@us.schneider-electric.com

Technical Information:

UL File:	E78403 CCN NKCR
CSA File:	LR24590 Class 3211-03
CE Marked:	Yes
RoHS:	Yes
NEMA / IP Rating:	NEMA 1/2/3/3R/4/4X/6/12/13 Water tight, Dust tight, Oil tight and Corrosion Resistant (Indoor/Outdoor), IP66
Key Number:	n/a
Key Removal:	n/a
Light Module Supply Voltage:	not applicable
Light Module Type:	not applicable
Number of Operators:	1

Description:	30mm Push Button
Ring Nut Material:	Black Plastic
Operator Type:	Non-Illuminated
Operator Action:	Momentary
Guard Type:	Standard Pushbutton
Button/Cap Color:	No Guard
Lens Type:	Black
Lens Color:	not applicable
Knob Type:	not applicable
Knob Color:	not applicable
Number of Positions:	n/a
	2

Specification: