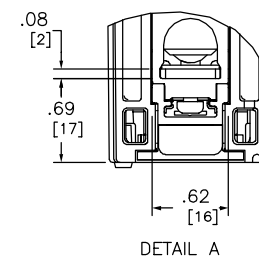
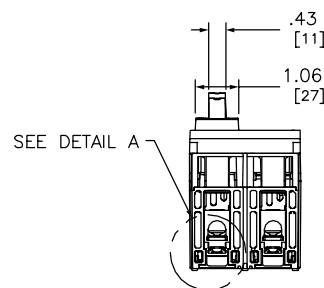
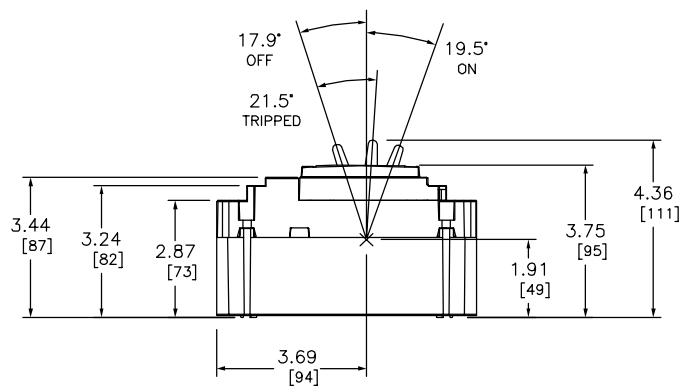


ISOMETRIC VIEW



DUAL DIMENSIONS: INCHES
MILLIMETERS

HD AND HG
15A - 150A
2-POLE TOGGLE LUG-LUG



DWG# 48996-016-01
NO.